

SUNVIM

孚日电机

# 三相异步电动机

THREE-PHASE INDUCTION MOTOR



山东孚日电机有限公司

SHANDONG SUNVIM ELECTRICAL MACHINERY CO.,LTD.



孚日控股集团有限公司总部

## 孚日控股主要产业示意图 MAIN INDUSTRIES OF SUNVIM HOLDING



GROUP  
集团简介  
INTRODUCTION

孚日集团创建于1987年。20多年的发展，20多年的风雨历程。现已成为一家拥有2万多名员工、70多亿资产、集家用纺织品、光伏电池等传统产业和高科技产业于一体的多元化企业集团，全球生产规模最大的家用纺织品公司，中国家纺行业第一家整体上市公司，国内首家同时拥有晶体硅太阳能电池和CIS太阳能电池自动生产线的高新技术企业。“孚日牌”系列产品荣获“中国名牌产品”、“中国驰名商标”、“中国出口名牌”等荣誉称号，产品出口额自1999年以来一直保持同行业第一位。



孚日控股集团工业园区



■ 家纺产业  
HOME TEXTILE INDUSTRY



■ 电机产业  
ELECTRICAL MACHINERY INDUSTRY



■ 地产产业  
REAL ESTATE INDUSTRY



■ 光伏产业  
PV INDUSTRY

孚日电机有限公司是山东孚日控股股份有限公司下设的一家集发电机和电动机研发、生产、销售、维修和服务为一体的专业化厂家,占地面积 360 亩,建筑面积 150000 平方米,计划总投资 8.6 亿多元人民币,设有装配车间、加工车间、冲压车间、模具车间、线圈车间、钣金车间,现有职工 1600 多人,其中工程技术人员 500 多人,技术力量雄厚,检测手段先进,生产设施完善,开发能力高效,年生产能力可达 1200 万 kW。产品畅销全国各地和沿海内河各大造船厂并出口美洲,欧洲,中东,大洋洲,东南亚和非洲等国家和地区。

孚日电机现为市级民营先进企业、科技创新先进企业和计量合格单位,ISO9001:2008 标准质量管理体系认证企业,中国船级社和中国渔业船舶检验局产品型式认可企业,取得了电机产品出口质量生产许可证、防爆电机生产许可证、矿用产品安全标识,山东名牌产品企业,中国节能产品企业。

Shandong Sunvim Electrical Machinery Co., Ltd(SEM) is a professional manufacturer, who consists of electrical machinery research and development, production, sales, maintenance and service as one. SEM is one of companies controlled by Shandong Sunvim Holding Co., Ltd. SEM covers an area of 360 acres. Construction area is about 150000 square meters. With estimated sum investment 860 million Yuan, SEM is composed by the assembly workshop, processing workshop, stamping workshop, mold workshop, coil workshop and sheet metal workshop. Now the company staff is about 1600, including about 500 engineers. SEM has strong technical force, advanced detecting methods, perfect production facilities, high capacity of research. Annual production capacity can reach about 12 million kW. SEM products sell all over the country and shipyards along the seas and rivers, also export to America, Euro, Middle East, Australia, Southeast Asia, Africa and other countries and regions.

SEM is currently municipal private enterprise, innovation and advanced technical enterprise, qualified units of measurement enterprise, ISO9001:2008 standard quality management system certification enterprise, China classification Society and the Chinese Fishing Vessel Inspection Bureau type approval enterprise, electrical machinery products export quality production permit enterprise, the AAA grade credit enterprise of the Bank of China, China brand product company, China Energy-saving product company.

# SUNVIM 孚日电机

— Electrical Machinery —



# SUNVIM

— Electrical Machinery —

## 孚日电机

# 产品目录

IE1 系列三相异步电动机 .....	P7
YE2 系列高效率三相异步电动机 .....	P20
YE3 系列超高效率三相异步电动机 .....	P24
Y-H 系列船用三相异步电动机 .....	P35
YVF2 系列变频调速三相异步电动机 .....	P36
YD 系列双速三相异步电动机 .....	P46
YEJ 系列电磁制动三相异步电动机 .....	P51
Y3 系列低压大功率三相异步电动机 .....	P60
YB3 系列隔爆型三相异步电动机 .....	P64
YB2-H 系列船用隔爆型三相异步电动机 .....	P76
YKK 系列高压三相异步电动机 .....	P81
Y 系列 (IP23) 高压三相异步电动机 .....	P90
YKS 系列高压三相异步电动机 .....	P98
Y2 系列高压三相异步电动机 .....	P107

## PRODUCT CATALOG

IE1 SERIES THREE-PHASE INDUCTION MOTOR .....	P7
YE2 SERIES HIGH EFFICIENCY THREE-PHASE INDUCTION MOTOR .....	P20
YE3 SERIES SUPER-HIGH EFFICIENCY THREE-PHASE INDUCTION MOTOR .....	P24
Y-H SERIES MARINE THREE-PHASE INDUCTION MOTOR .....	P35
YVF2 SERIES CONVERTER-FED THREE-PHASE INDUCTION MOTOR .....	P36
YD SERIES POLE-CHANGING THREE PHASE INDUCTION MOTOR .....	P46
YEJ SERIES MAGNETIC BRAKING THREE-PHASE INDUCTION MOTOR .....	P51
Y3 SERIES LOW VOLTAGE AND HIGH POWER THREE-PHASE INDUCTION MOTOR .....	P60
YB3 SERIES FLAMEPROOF THREE-PHASE ASYNCHRONOUS MOTOR .....	P64
YB2-H SERIES MARINE EXPLOSION-PROOF THREE PHASE ASYNCHRONOUS INDUCTION MOTOR .....	P76
YKK SERIES HIGH VOL TAGE THREE PHASE INDUCTION MOTOR .....	P81
Y SERIES (IP23) HIGH VOL TAGE THREE PHASE INDUCTION MOTOR .....	P90
YKS SERIES HIGH VOL TAGE THREE PHASE INDUCTION MOTOR .....	P98
Y2 SERIES HIGH VOL TAGE THREE PHASE INDUCTION MOTOR .....	P107

## IE1 系列三相异步电动机

IE1 SERIES THREE-PHASE INDUCTION MOTOR

**SUNVIM**  
— Electrical Machinery —  
孚日电机



### 详细说明

执行标准: GB/T 25290  
中心高: H80-355mm  
额定输出功率: 0.18kW-315kW  
能效等级: IE1  
电压和频率: 380V/50Hz  
防护等级: IP55  
绝缘 / 温升等级: F/B  
安装形式: B3、B5、B35、V1  
环境温度: -15°C到 +40°C  
相对湿度 ≤ 90%  
海拔 ≤ 1000 米  
冷却方式: IC411

### SPECIFICATION

Standard: GB/T 25290  
Frame size: H80-355mm  
Rated power: 0.18kW-315kW  
Degrees or energy efficiency: IE1  
Voltage and frequency: 380V/ 50Hz  
Degrees of protections: IP55  
Degrees of insulation/Temperature rise: F/B  
Installation Method: B3、B5、B35、V1  
Ambient temperature: -15°C ~+40°C  
Relative humidity should be less than 90%  
Altitude should be lower than 1000 m above sea level  
Cooling Method: IC411

### 产品简介

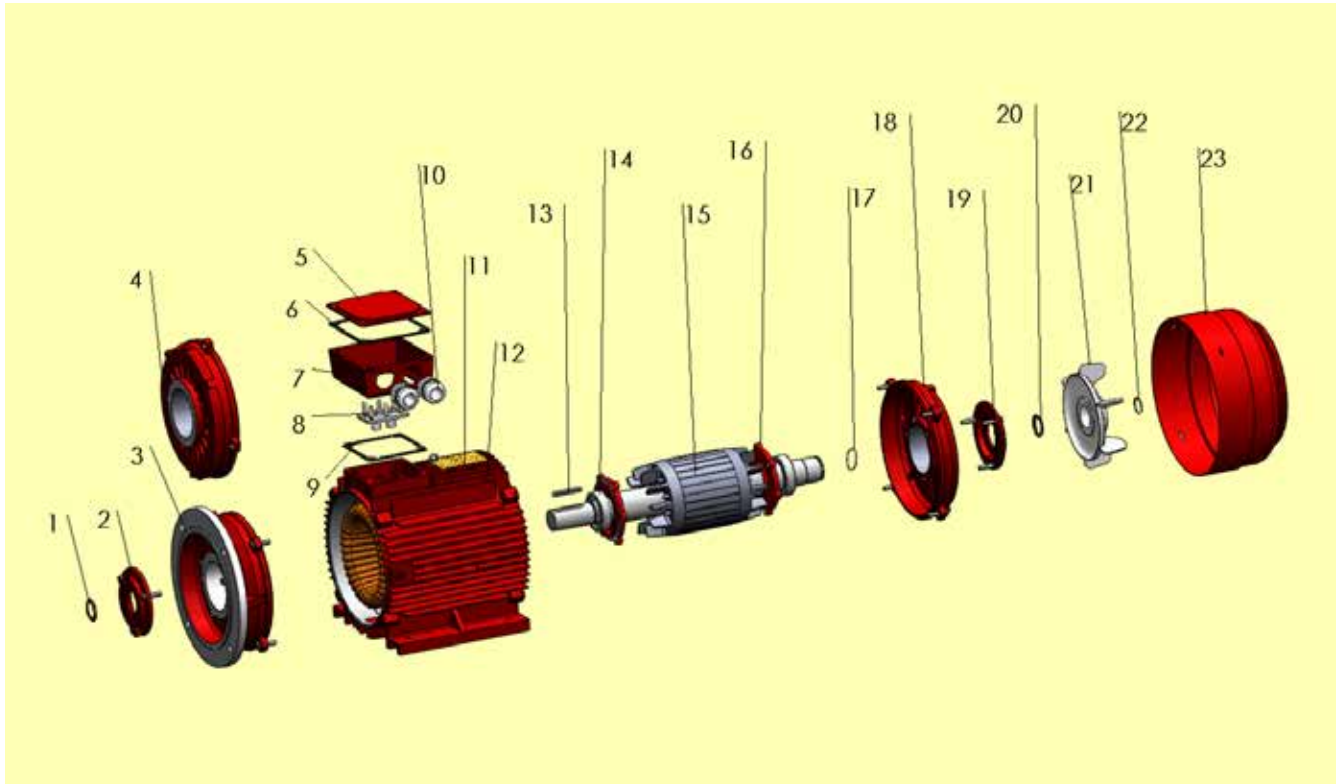
IE1 系列电动机是孚日电机自主研发、外观具有自主知识产权的新型产品。该系列电机结构合理、外形美观,具有高效率、低噪音、低振动等优点,可广泛应用于风机、水泵、机床、压缩机、运输机械等驱动各种通用机械设备,也可用在石油、化工、钢铁、矿山等其他环境比较恶劣的场所使用。IE1 系列电动机采用优质冷轧硅钢片,防护等级 IP55,绝缘等级 F 级,其安装尺寸符合 IEC60072 国际标准,是 Y、Y2、Y3 系列电机的理想替代产品。

### PRODUCT INTRODUCTION

IE1 series motor is designed by Sunvim Group, and has obtained the national layout-design invention patent. This series motor has beautiful profile, high efficiency, low noise and vibration. It can be used to drive the equipment of the fans, pumps, machine tools, compressors, transportation and so on, and can also be used in the hazardous areas with oil and chemical, steel paints, mining industry. SM series motor adopt good cold-rolled steel, It is the entirely refreshed generation products aimed to replace the Y, Y2 and Y3 series motor, with IP55 protection degree class F insulation and the same dimensions according to IEC 60072.

## IE1 系列电机配件分布图

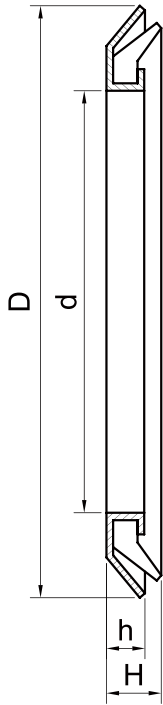
IE1/IE2/IE3 Motor Spare Part List



- |                       |                        |
|-----------------------|------------------------|
| 1. 轴面油封               | 1.Oil seal             |
| 2. 轴承外盖 (D)           | 2.Outer bearing cap D  |
| 3. 凸缘端盖 (B35, B5, V1) | 3.Flange               |
| 4. 轴伸端端盖 (B3)         | 4.Endshield D.E        |
| 5. 接线盒盖               | 5.Terminal Box Lid     |
| 6. 接线盒盖密封垫            | 6.Seal Gasket          |
| 7. 接线盒座               | 7.Terminal Box Base    |
| 8. 接线板                | 8.Terminal Board       |
| 9. 接线盒座密封垫            | 9.Terminal Box Gasket  |
| 10. 电缆接线头             | 10.Cable gland         |
| 11. 铭牌                | 11.Nameplate           |
| 12. 定子                | 12.Stator              |
| 13. 键                 | 13.Key                 |
| 14. 轴承                | 14.Bearing D.E         |
| 15. 转子                | 15.Rotor               |
| 16. 轴承内盖              | 16.Inner Bearing Cap   |
| 17. 波形弹簧              | 17.Wave Spring         |
| 18. 非轴伸端端盖            | 18.Endshield N.D.E     |
| 19. 轴承外盖 (N)          | 19.Outer bearing cap N |
| 20. 轴面油封              | 20.Oil seal            |
| 21. 风扇                | 21.Fan                 |
| 22. 卡簧                | 22.Snap Ring           |
| 23. 风罩                | 23.Fan Cowl            |

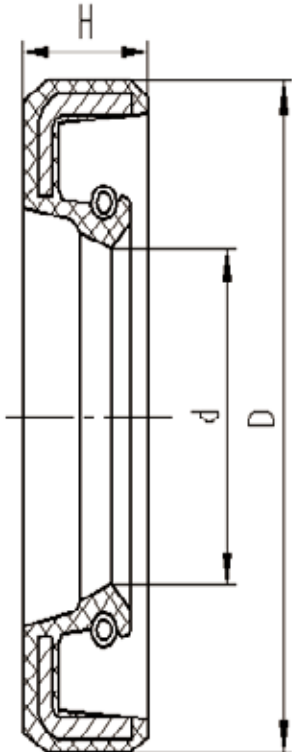


## 轴面油封 Oil Sealing



机座号 Frame	规格 Type	d	D	h	H
80	RB20*35*4.0	Ø20	Ø35	3	6
90	RB25*40*4.0	Ø25	Ø40	3	6
100	RB30*47*4.5	Ø30	Ø47	3.5	6
112	RB30*47*4.5	Ø30	Ø47	3.5	6
132	RB40*57*4.5	Ø40	Ø57	3.5	6.5
160	RB45*62*4.5	Ø45	Ø62	3.5	6.5
180	RB55*75*5.5	Ø55	Ø75	4.5	6.5
200	RB60*80*5.5	Ø60	Ø80	4.5	6.5
225	RB65*85*5.5	Ø65	Ø85	4.5	8
250	RB70*90*5.5	Ø70	Ø90	4.5	8
280-2	RB70*90*5.5	Ø70	Ø90	4.5	8
280-4	RB85*105*5.5	Ø85	Ø105	4.5	8
315-2	RB80*100*5.5	Ø80	Ø100	4.5	8
315-4	RB95*115*5.5	Ø95	Ø115	4.5	8
355-2	RB95*115*5.5	Ø95	Ø115	4.5	8
355-4	RB110*130*5.5	Ø110	Ø130	4.5	8

## 骨架密封圈 Oil Sealing



机座号 Frame	规格 Type	d	D	H
80	(F)B20X42X5	Ø20	Ø42	5
90	(F)B25X47X5	Ø25	Ø47	5
100	(F)B30X52X7	Ø30	Ø52	7
112	(F)B30X52X7	Ø30	Ø52	7
132	(F)B40X62X5	Ø40	Ø62	5
160	(F)B45X70X8	Ø45	Ø70	8
180	(F)B55X80X8	Ø55	Ø80	8
200	(F)B60X85X8	Ø60	Ø85	8
225	(F)B65X90X10	Ø65	Ø90	10
250	(F)B70X95X10	Ø70	Ø95	10
280-2	(F)B70X95X10	Ø70	Ø95	10
280-4.6.8	(F)B85X110X12	Ø85	Ø110	12
315-2	(F)B80X105X10	Ø80	Ø105	10
315-4.6.8	(F)B95X120X12	Ø95	Ø120	12
355-2	(F)B95X120X12	Ø95	Ø120	12
355-4.6.8	(F)B110X140X12	Ø110	Ø140	12
355L3-4P, L2-6P	(F)B120X150X12	Ø120	Ø150	12

## 2 极 - 同步转速 3000r/min 2-pole, 3000 synchronous speed

电机型号	额定功率 kW	额定转速 r/min	额定电流 A	额定效率 $\eta$ %	功率因数 $\cos\phi$	额定转矩 Nm	堵转电流 额定转矩	堵转转矩 额定转矩	最大转矩 额定转矩	最小转矩 额定转矩	空载噪音 dB(A)	负载噪音 dB(A)	重量 kg
Motor Type	Rated Power (kW)	Rated Speed r/min	Rated Current A	Rated Eff. $\eta$ %	Power Factor $\cos\phi$	Rated Torque Nm	$\frac{I_{st}}{I_n}$	$\frac{T_{st}}{T_n}$	$\frac{T_{max}}{T_n}$	$\frac{T_{min}}{T_n}$	LW dB(A) no load	LW dB(A) load	Net Weight kg
80M1-2	0.75	2840	1.8	75.0	0.83	2.5	6.1	2.2	2.3	1.5	67	69	16
80M2-2	1.1	2840	2.6	76.2	0.84	3.7	6.9	2.2	2.3	1.5	67	69	17
90S-2	1.5	2850	3.5	78.5	0.84	5	7.0	2.2	2.3	1.5	72	74	20
90L-2	2.2	2850	4.9	81.0	0.85	7.4	7.0	2.2	2.3	1.4	72	74	25
100L-2	3	2880	6.3	82.6	0.87	10	7.5	2.2	2.3	1.4	76	78	30
112M-2	4	2880	8.2	84.2	0.88	13.3	7.5	2.2	2.3	1.4	77	79	38
132S1-2	5.5	2900	11.1	85.7	0.88	18.1	7.5	2.2	2.3	1.2	80	82	57
132S2-2	7.5	2900	14.9	87.0	0.88	24.5	7.5	2.2	2.3	1.2	80	82	60
160M1-2	11	2930	21.2	88.4	0.89	35.8	7.5	2.2	2.3	1.2	86	88	100
160M2-2	15	2930	28.6	89.4	0.89	48.8	7.5	2.2	2.3	1.2	86	88	110
160L-2	18.5	2930	34.7	90.0	0.90	60.4	7.5	2.2	2.3	1.1	86	88	125
180M-2	22	2940	41	90.5	0.90	71.4	7.5	2.0	2.3	1.1	89	91	175
200L1-2	30	2950	55.4	91.4	0.90	97.2	7.5	2.0	2.3	1.1	92	94	225
200L2-2	37	2950	67.9	92.0	0.90	120	7.5	2.0	2.3	1.1	92	94	245
225M-2	45	2970	82.1	92.5	0.90	145	7.5	2.0	2.3	1.0	92	94	280
250M-2	55	2970	99.8	93.0	0.90	177	7.5	2.0	2.3	1.0	93	95	380
280S-2	75	2970	135	93.6	0.90	241	7.0	2.0	2.3	0.9	94	96	510
280M-2	90	2970	160	93.9	0.91	290	7.1	2.0	2.3	0.9	94	96	580
315S-2	110	2980	195	94.0	0.91	353	7.1	1.8	2.2	0.9	96	98	850
315M-2	132	2980	233	94.5	0.91	423	7.1	1.8	2.2	0.9	96	98	945
315L1-2	160	2980	282	94.6	0.91	513	7.1	1.8	2.2	0.9	99	101	1020
315L2-2	200	2980	348	94.8	0.92	641	7.1	1.8	2.2	0.8	99	101	1180
355M-2	250	2980	434	95.2	0.92	802	7.1	1.6	2.2	0.8	103	105	1740
355L-2	315	2980	545	95.4	0.92	1010	7.1	1.6	2.2	0.8	103	105	1900

## 4 极 - 同步转速 1500r/min 4-pole, 1500 synchronous speed

电机型号	额定功率 kW	额定转速 r/min	额定电流 A	额定效率 $\eta$ %	功率因数 $\cos\phi$	额定转矩 Nm	堵转电流 额定转矩	堵转转矩 额定转矩	最大转矩 额定转矩	最小转矩 额定转矩	空载噪音 dB(A)	负载噪音 dB(A)	重量 kg
Motor Type	Rated Power (kW)	Rated Speed r/min	Rated Current A	Rated Eff. $\eta$ %	Power Factor $\cos\phi$	Rated Torque Nm	$\frac{I_{st}}{I_n}$	$\frac{T_{st}}{T_n}$	$\frac{T_{max}}{T_n}$	$\frac{T_{min}}{T_n}$	LW dB(A) no load	LW dB(A) load	Net Weight kg
80M1-4	0.55	1390	1.6	71.0	0.75	3.8	5.2	2.4	2.3	1.7	58	63	17
80M2-4	0.75	1390	2.1	73.0	0.76	5.2	6.0	2.3	2.3	1.6	58	63	18
90S-4	1.1	1400	2.8	76.2	0.77	7.5	6.0	2.3	2.3	1.6	61	66	20
90L-4	1.5	1400	3.7	78.5	0.78	10.2	6.0	2.3	2.3	1.6	61	66	23
100L1-4	2.2	1420	5.1	81.0	0.81	14.8	7.0	2.3	2.3	1.5	64	69	30
100L2-4	3	1420	6.7	82.6	0.82	20.2	7.0	2.3	2.3	1.5	64	69	35
112M-4	4	1440	8.8	84.2	0.82	26.5	7.0	2.3	2.3	1.5	65	70	40
132S-4	5.5	1440	11.7	85.7	0.83	36.5	7.0	2.3	2.3	1.4	71	76	60
132M-4	7.5	1440	15.6	87.0	0.84	49.8	7.0	2.3	2.3	1.4	71	76	70
160M-4	11	1460	22.5	88.4	0.84	72	7.0	2.2	2.3	1.4	75	79	110
160L-4	15	1460	30	89.4	0.85	98.2	7.5	2.2	2.3	1.4	75	79	130
180M-4	18.5	1470	36.3	90.0	0.86	120	7.5	2.2	2.3	1.2	76	80	165
180L-4	22	1470	42.9	90.5	0.86	143	7.5	2.2	2.3	1.2	76	80	180
200L-4	30	1470	58	91.4	0.86	195	7.2	2.2	2.3	1.2	79	83	240
225S-4	37	1480	70.2	92.0	0.87	239	7.2	2.2	2.3	1.2	81	85	280
225M-4	45	1480	85.0	92.5	0.87	291	7.2	2.2	2.3	1.1	81	85	310
250M-4	55	1480	103	93.0	0.87	355	7.2	2.2	2.3	1.1	83	86	400
280S-4	75	1480	138	93.6	0.88	484	6.8	2.2	2.3	1.0	86	89	540
280M-4	90	1480	165	93.9	0.88	581	6.8	2.2	2.3	1.0	86	89	620
315S-4	110	1480	201	94.5	0.88	710	6.9	2.1	2.2	1.0	93	96	870
315M-4	132	1480	240	94.8	0.88	852	6.9	2.1	2.2	1.0	93	96	990
315L1-4	160	1480	288	94.9	0.89	1032	6.9	2.1	2.2	1.0	97	100	1050
315L2-4	200	1480	360	94.9	0.89	1290	6.9	2.1	2.2	0.9	97	100	1250
355M1-4	220	1490	390	95.2	0.90	1411	6.9	2.1	2.2	0.9	101	104	1650
355M2-4	250	1490	443	95.2	0.90	1603	6.9	2.1	2.2	0.9	101	104	1750
355L1-4	280	1490	497	95.2	0.90	1796	7.1	2.1	2.2	0.9	101	104	1790
355L2-4	315	1490	559	95.2	0.90	2020	7.1	2.1	2.2	0.8	101	104	1900

## 6 极 - 同步转速 1000r/min 6-pole, 1000 synchronous speed

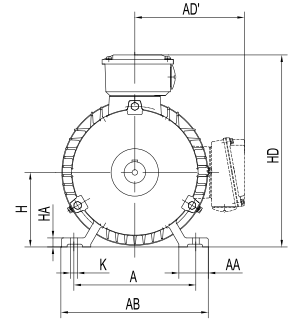
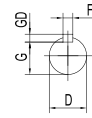
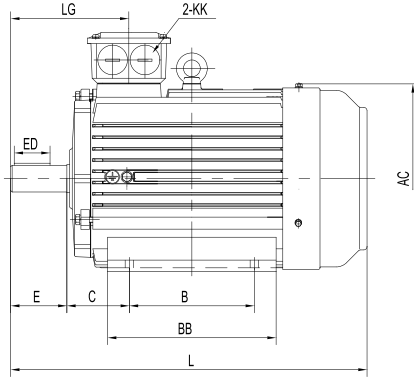
电机型号	额定功率 kW	额定转速 r/min	额定电流 A	额定效率 $\eta$ %	功率因数 $\cos\phi$	额定转矩 Nm	堵转电流 额定转矩	堵转转矩 额定转矩	最大转矩 额定转矩	最小转矩 额定转矩	空载噪音 dB(A)	负载噪音 dB(A)	重量 kg
Motor Type	Rated Power (kW)	Rated Speed r/min	Rated Current A	Rated Eff. $\eta$ %	Power Factor $\cos\phi$	Rated Torque Nm	$\frac{I_{st}}{I_n}$	$\frac{T_{st}}{T_n}$	$\frac{T_{max}}{T_n}$	$\frac{T_{min}}{T_n}$	LW dB(A) no load	LW dB(A) load	Net Weight kg
80M1-6	0.37	890	1.3	62.0	0.70	4.0	4.7	1.9	2.0	1.5	54	61	15
80M2-6	0.55	890	1.8	65.0	0.72	5.9	4.7	1.9	2.1	1.5	54	61	17
90S-6	0.75	910	2.3	69.0	0.72	7.9	4.7	2.0	2.1	1.5	57	64	20
90L-6	1.1	910	3.2	72.0	0.73	11.5	5.3	2.0	2.1	1.3	57	64	23
100L-6	1.5	920	4	76.0	0.75	15.6	5.5	2.0	2.1	1.3	61	68	30
112M-6	2.2	940	5.6	79.0	0.76	22.4	5.5	2.0	2.1	1.3	65	72	38
132S-6	3	960	7.4	81.0	0.76	29.9	6.5	2.1	2.1	1.3	69	76	55
132M1-6	4	960	9.8	82.0	0.76	39.8	6.5	2.1	2.1	1.3	69	76	63
132M2-6	5.5	960	12.9	84.0	0.77	54.7	6.5	2.1	2.1	1.3	69	76	70
160M-6	7.5	970	17.2	86.0	0.77	73.9	6.5	2.0	2.1	1.3	73	80	105
160L-6	11	970	24.5	87.5	0.78	108	6.5	2.0	2.1	1.2	73	80	120
180L-6	15	970	31.6	89.0	0.81	148	7.0	2.0	2.1	1.2	73	80	175
200L1-6	18.5	970	38.6	90.0	0.81	182	7.0	2.1	2.1	1.2	76	82	220
200L2-6	22	970	44.7	90.0	0.83	217	7.0	2.0	2.1	1.2	76	82	235
225M-6	30	980	59.3	91.5	0.84	293	7.0	2.0	2.1	1.2	76	82	300
250M-6	37	980	71.1	92.0	0.86	361	7.0	2.1	2.1	1.2	78	84	370
280S-6	45	980	85.9	92.5	0.86	439	7.0	2.1	2.0	1.1	80	85	480
280M-6	55	980	105	92.8	0.86	536	7.0	2.1	2.0	1.1	80	85	535
315S-6	75	990	142	93.5	0.86	724	6.7	2.0	2.0	1.0	85	90	790
315M-6	90	990	170	93.8	0.86	869	6.7	2.0	2.0	1.0	85	90	880
315L1-6	110	990	207	94.0	0.86	1062	6.7	2.0	2.0	1.0	85	90	997
315L2-6	132	990	245	94.2	0.87	1274	6.7	2.0	2.0	1.0	85	90	1100
355M1-6	160	990	292	94.5	0.88	1544	6.7	1.9	2.0	1.0	92	96	1400
355M2-6	200	990	365	94.5	0.88	1930	6.7	1.9	2.0	0.9	92	96	1750
355L-6	250	990	457	94.5	0.88	2413	6.7	1.9	2.0	0.9	92	96	1950

## 8 极 - 同步转速 750r/min 8-pole, 750 synchronous speed

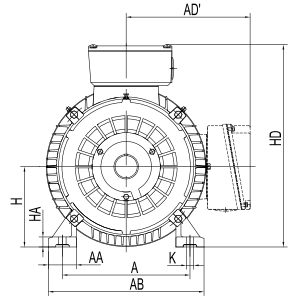
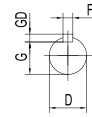
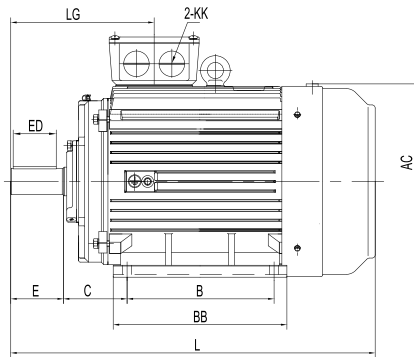
电机型号	额定功率 kW	额定转速 r/min	额定电流 A	额定效率 $\eta$ %	功率因数 $\cos\phi$	额定转矩 Nm	堵转电流 额定转矩	堵转转矩 额定转矩	最大转矩 额定转矩	最小转矩 额定转矩	空载噪音 dB(A)	负载噪音 dB(A)	重量 kg
Motor Type	Rated Power (kW)	Rated Speed r/min	Rated Current A	Rated Eff. $\eta$ %	Power Factor $\cos\phi$	Rated Torque Nm	$\frac{I_{st}}{I_n}$	$\frac{T_{st}}{T_n}$	$\frac{T_{max}}{T_n}$	$\frac{T_{min}}{T_n}$	LW dB(A) no load	LW dB(A) load	Net Weight kg
80M1-8	0.18	630	0.9	51.0	0.61	2.8	3.3	1.8	1.9	1.3	52	60	15
80M2-8	0.25	640	1.2	54.0	0.61	3.7	3.3	1.8	1.9	1.3	52	60	17
90S-8	0.37	660	1.5	62.0	0.61	5.4	4	1.8	1.9	1.3	56	64	20
90L-8	0.55	660	2.2	63.0	0.61	8.0	4	1.8	2.0	1.3	56	64	23
100L1-8	0.75	690	2.4	70.0	0.67	10.4	4	1.8	2.0	1.3	59	67	30
100L2-8	1.1	690	3.4	72.0	0.69	15.2	5	1.8	2.0	1.2	59	67	35
112M-8	1.5	690	4.4	74.0	0.70	20.8	5	1.8	2.0	1.2	61	69	40
132S-8	2.2	710	6.0	79.0	0.71	29.6	6	1.8	2.0	1.2	64	72	52
132M-8	3	710	7.8	80.0	0.73	40.4	6	1.8	2.0	1.2	64	72	60
160M1-8	4	720	10.3	81.0	0.73	53.1	6	1.9	2.0	1.2	68	76	90
160M2-8	5.5	720	13.6	83.0	0.74	73.0	6	1.9	2.0	1.2	68	76	105
160L-8	7.5	720	17.8	85.5	0.75	99.5	6	1.9	2.0	1.2	68	76	120
180L-8	11	730	25.5	87.5	0.75	144	6.5	2.0	2.0	1.1	70	78	150
200L-8	15	730	34.1	88.0	0.76	196	6.6	2.0	2.0	1.1	73	80	215
225S-8	18.5	730	41.1	90.0	0.76	242	6.6	1.9	2.0	1.1	73	80	265
225M-8	22	740	47.4	90.5	0.78	284	6.6	1.9	2.0	1.1	73	80	295
250M-8	30	740	63.4	91.0	0.79	387	6.5	1.9	2.0	1.1	75	82	380
280S-8	37	740	77.8	91.5	0.79	478	6.6	1.9	2.0	1.1	76	83	485
280M-8	45	740	94.1	92.0	0.79	581	6.6	1.9	2.0	1.0	76	83	570
315S-8	55	740	111	92.8	0.81	710	6.6	1.8	2.0	1.0	82	88	750
315M-8	75	740	150	93.5	0.81	968	6.2	1.8	2.0	0.9	82	88	810
315L1-8	90	740	178	93.8	0.82	1162	6.4	1.8	2.0	0.9	82	88	1000
315L2-8	110	740	217	94.0	0.82	1420	6.4	1.8	2.0	0.9	82	88	1180
355M1-8	132	740	261	93.7	0.82	1704	6.4	1.8	2.0	0.9	90	95	1500
355M2-8	160	740	315	94.2	0.82	2066	6.4	1.8	2.0	0.9	90	95	1800
355L-8	200	740	387	94.5	0.83	2582	6.4	1.8	2.0	0.9	90	95	1900

**B3 外形及安装尺寸图**  
DIMENSIONS MOUNT B3

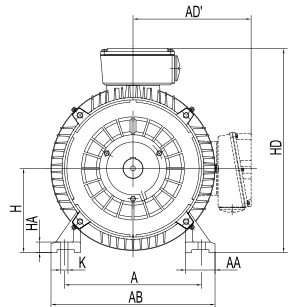
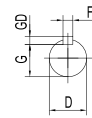
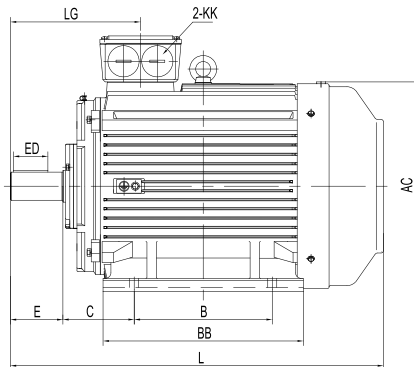
80-132



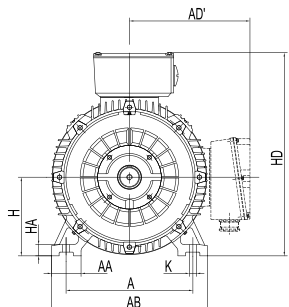
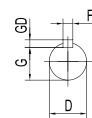
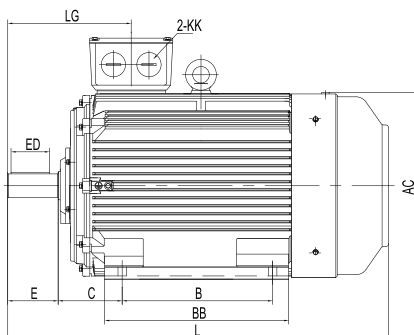
160-200



225-280



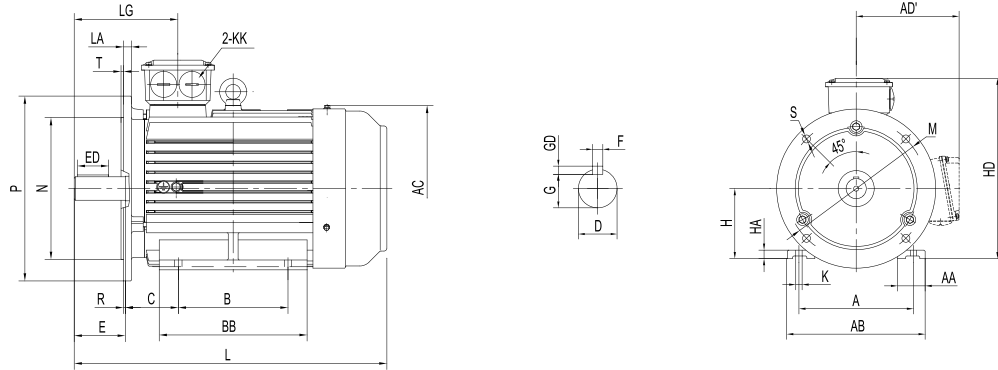
315-355



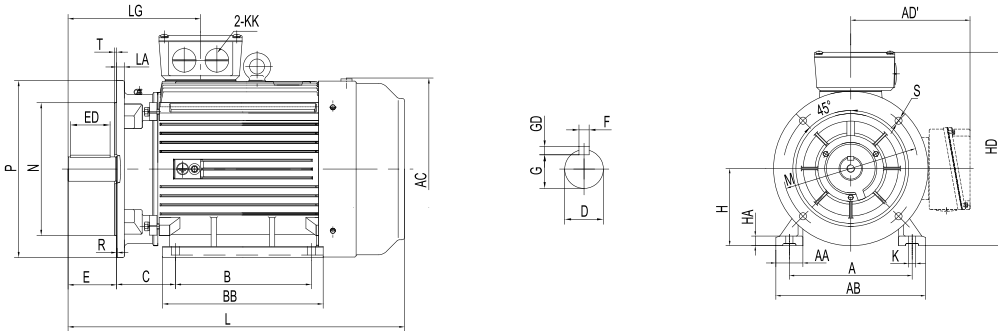
Frame	A	AA	AB	AC	AD'	B	BB	C	D	E	ED	F	G	GD	H	HA	HD	K	KK	L	LG
80M	125	34	160	175	150	100	130	50	19	40	22	6	15.5	6	80	10	230	10	M25×1.5	295	106
90S	140	36	180	190	165	100	135	56	24	50	32	8	20	7	90	12.5	260	10	M25×1.5	320	124
90L	140	36	180	190	165	125	160	56	24	50	32	8	20	7	90	12.5	260	10	M25×1.5	345	124
100L	160	40	200	215	170	140	182	63	28	60	40	8	24	7	100	14	275	12	M25×1.5	385	140
112M	190	45	230	236	195	140	195	70	28	60	40	8	24	7	112	14	310	12	M32×1.5	410	145
132S	216	52	265	275	215	140	205	89	38	80	56	10	33	8	132	16	350	12	M32×1.5	480	169
132M	216	52	265	275	215	178	245	89	38	80	56	10	33	8	132	16	350	12	M32×1.5	520	169
160M	254	65	320	330	265	210	260	108	42	110	80	12	37	8	160	19	425	14.5	M40×1.5	610	270
160L	254	65	320	330	265	254	305	108	42	110	80	12	37	8	160	19	425	14.5	M40×1.5	655	270
180M	279	70	350	380	280	241	285	121	48	110	80	14	42.5	9	180	22	465	14.5	M40×1.5	680	277
180L	279	70	350	380	280	279	325	121	48	110	80	14	42.5	9	180	22	465	14.5	M40×1.5	720	277
200L	318	80	390	420	315	305	355	133	55	110	80	16	49	10	200	25	510	18.5	M50×1.5	760	298
225S(4-8P)	356	75	435	465	335	286	350	149	60	140	100	18	53	11	225	28	560	18.5	M50×1.5	825	340
225M(2P)	356	75	435	465	335	311	375	149	55	110	80	16	49	10	225	28	560	18.5	M50×1.5	820	310
225M(4-8P)	356	75	435	465	335	311	375	149	60	140	100	18	53	11	225	28	560	18.5	M50×1.5	850	340
250M(2P)	406	100	485	520	375	349	450	168	60	140	100	18	53	11	250	33	635	24	M63×1.5	925	357
250M(4-8P)	406	100	485	520	375	349	450	168	65	140	100	18	58	11	250	33	635	24	M63×1.5	925	357
280S(2P)	457	105	550	570	405	368	490	190	65	140	100	18	58	11	280	35	695	24	M63×1.5	970	350
280S(4-8P)	457	105	550	570	405	368	490	190	75	140	100	20	67.5	12	280	35	695	24	M63×1.5	990	350
280M(2P)	457	105	550	570	405	419	540	190	65	140	100	18	58	11	280	35	695	24	M63×1.5	1025	350
280M(4-8P)	457	105	550	570	405	419	540	190	75	140	100	20	67.5	12	280	35	695	24	M63×1.5	1045	350
315S(2P)	508	125	630	650	500	406	515	216	65	140	100	18	58	11	315	45	810	28	M63×1.5	1160	387
315M(2P)	508	125	630	650	500	457	625	216	65	140	100	18	58	11	315	45	810	28	M63×1.5	1270	387
315L(2P)	508	125	630	650	500	508	625	216	65	140	100	18	58	11	315	45	810	28	M63×1.5	1270	387
315S(4-8P)	508	125	630	650	500	406	515	216	80	170	130	22	71	14	315	45	810	28	M63×1.5	1190	417
315M(4-8P)	508	125	630	650	500	457	625	216	80	170	130	22	71	14	315	45	810	28	M63×1.5	1300	417
315L(4-8P)	508	125	630	650	500	508	625	216	80	170	130	22	71	14	315	45	810	28	M63×1.5	1300	417
355M(2P)	610	125	735	735	645	560	850	254	75	140	110	20	67.5	12	355	49	1000	28	M63×1.5	1600	420
355L(2P)	610	125	735	735	645	630	850	254	75	140	110	20	67.5	12	355	49	1000	28	M63×1.5	1600	420
355M(4-8P)	610	125	735	735	645	560	850	254	95	170	140	25	86	14	355	49	1000	28	M63×1.5	1630	450
355L(4-8P)	610	125	735	735	645	630	850	254	95	170	140	25	86	14	355	49	1000	28	M63×1.5	1630	450

**B35 外形及安装尺寸图**  
 DIMENSIONS MOUNT B35

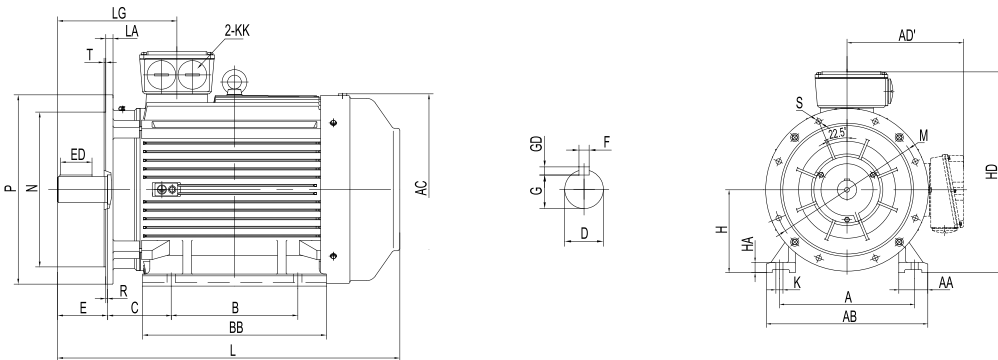
80-132



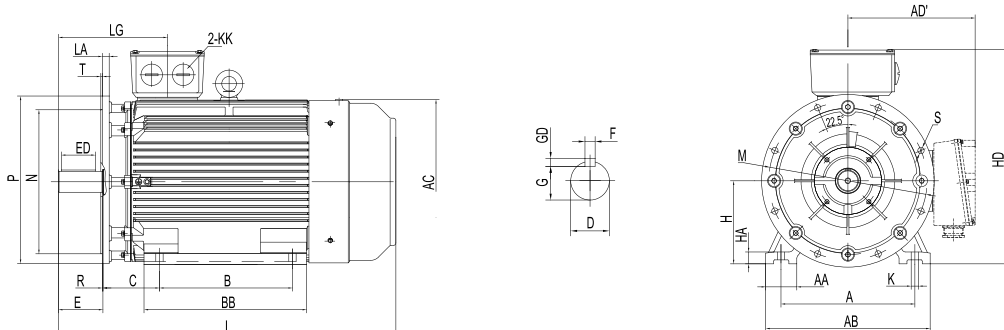
160-200



225-280



315-355



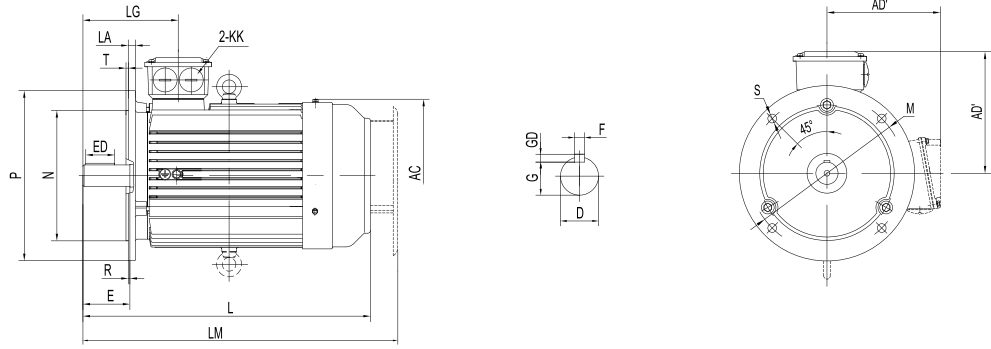


FRAME	A	AA	AB	AC	AD'	B	BB	C	D	E	ED	F	G	GD	H	HA	HD	K	KK	L	LG	LA	M	N	P	S	T
80M	125	34	160	175	150	100	130	50	19	40	22	6	15.5	6	80	10	230	10	M25x1.5	295	106	12	165	130	200	12	3.5
90S	140	36	180	190	165	100	135	56	24	50	32	8	20	7	90	12.5	260	10	M25x1.5	320	124	12	165	130	200	12	3.5
90L	140	36	180	190	165	125	160	56	24	50	32	8	20	7	90	12.5	260	10	M25x1.5	345	124	12	165	130	200	12	3.5
100L	160	40	200	215	170	140	182	63	28	60	40	8	24	7	100	14	275	12	M25x1.5	385	140	14	215	180	250	14.5	4
112M	190	45	230	236	195	140	195	70	28	60	40	8	24	7	112	14	310	12	M32x1.5	410	145	14	215	180	250	14.5	4
132S	216	52	265	275	215	140	205	89	38	80	56	10	33	8	132	16	350	12	M32x1.5	480	169	14	265	230	300	14.5	4
132M	216	52	265	275	215	178	245	89	38	80	56	10	33	8	132	16	350	12	M32x1.5	520	169	14	265	230	300	14.5	4
160M	254	65	320	330	265	210	260	108	42	110	80	12	37	8	160	19	425	14.5	M40x1.5	610	270	15	300	250	350	18.5	5
160L	254	65	320	330	265	254	305	108	42	110	80	12	37	8	160	19	425	14.5	M40x1.5	655	270	15	300	250	350	18.5	5
180M	279	70	350	380	280	241	285	121	48	110	80	14	42.5	9	180	22	465	14.5	M40x1.5	680	277	15	300	250	350	18.5	5
180L	279	70	350	380	280	279	325	121	48	110	80	14	42.5	9	180	22	465	14.5	M40x1.5	720	277	15	300	250	350	18.5	5
200L	318	80	395	420	315	305	355	133	55	110	80	16	49	10	200	25	510	18.5	M50x1.5	760	298	17	350	300	400	18.5	5
225S(4-8P)	356	75	436	465	335	286	350	149	60	140	100	18	53	11	225	28	560	18.5	M50x1.5	825	340	20	400	350	450	18.5	5
225M(2P)	356	75	436	465	335	311	375	149	55	110	80	16	49	10	225	28	560	18.5	M50x1.5	820	310	20	400	350	450	18.5	5
225M(4-8P)	356	75	436	465	335	311	375	149	60	140	100	18	53	11	225	28	560	18.5	M50x1.5	850	340	20	400	350	450	18.5	5
250M(2P)	406	100	490	520	375	349	450	168	60	140	100	18	53	11	250	33	635	24	M63x1.5	925	357	20	500	450	550	18.5	5
250M(4-8P)	406	100	495	520	375	349	450	168	65	140	100	18	58	11	250	33	635	24	M63x1.5	925	357	20	500	450	550	18.5	5
280S(2P)	457	105	550	570	405	368	490	190	65	140	100	18	58	11	280	35	695	24	M63x1.5	970	350	22	500	450	550	18.5	5
280S(4-8P)	457	105	550	570	405	368	490	190	75	140	100	20	67.5	12	280	35	695	24	M63x1.5	990	350	22	500	450	550	18.5	5
280M(2P)	457	105	550	570	405	419	540	190	65	140	100	18	58	11	280	35	695	24	M63x1.5	1025	350	22	500	450	550	18.5	5
280M(4-8P)	457	105	550	570	405	419	540	190	75	140	100	20	67.5	12	280	35	695	24	M63x1.5	1045	350	22	500	450	550	18.5	5
315S(2P)	508	125	630	650	500	406	515	216	65	140	100	18	58	11	315	45	810	28	M63x1.5	1160	387	24	600	550	660	24	6
315M(2P)	508	125	630	650	500	457	625	216	65	140	100	18	58	11	315	45	810	28	M63x1.5	1270	387	24	600	550	660	24	6
315L(2P)	508	125	630	650	500	508	625	216	65	140	100	18	58	11	315	45	810	28	M63x1.5	1270	387	24	600	550	660	24	6
315S(4-8P)	508	125	630	650	500	406	515	216	80	170	130	22	71	14	315	45	810	28	M63x1.5	1190	417	24	600	550	660	24	6
315M(4-8P)	508	125	630	650	500	457	625	216	80	170	130	22	71	14	315	45	810	28	M63x1.5	1300	417	24	600	550	660	24	6
315L(4-8P)	508	125	630	650	500	508	625	216	80	170	130	22	71	14	315	45	810	28	M63x1.5	1300	417	24	600	550	660	24	6
355M(2P)	610	125	735	735	645	560	850	254	75	140	110	20	67.5	12	355	49	1000	28	M63x1.5	1600	420	25	740	680	800	24	6
355L(2P)	610	125	735	735	645	630	850	254	75	140	110	20	67.5	12	355	49	1000	28	M63x1.5	1600	420	25	740	680	800	24	6
355M(4-8P)	610	125	735	735	645	560	850	254	95	170	140	25	86	14	355	49	1000	28	M63x1.5	1630	450	25	740	680	800	24	6
355L(4-8P)	610	125	735	735	645	630	850	254	95	170	140	25	86	14	355	49	1000	28	M63x1.5	1630	450	25	740	680	800	24	6

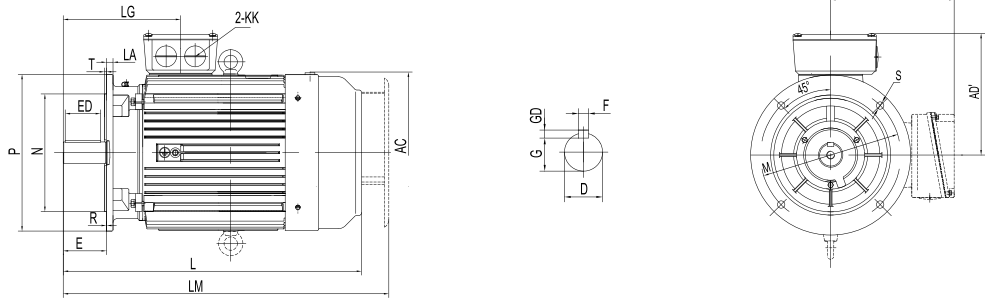
Note : R=0

**B5 & V1 外形及安装尺寸图**  
 DIMENSIONS MOUNT B5 & V1

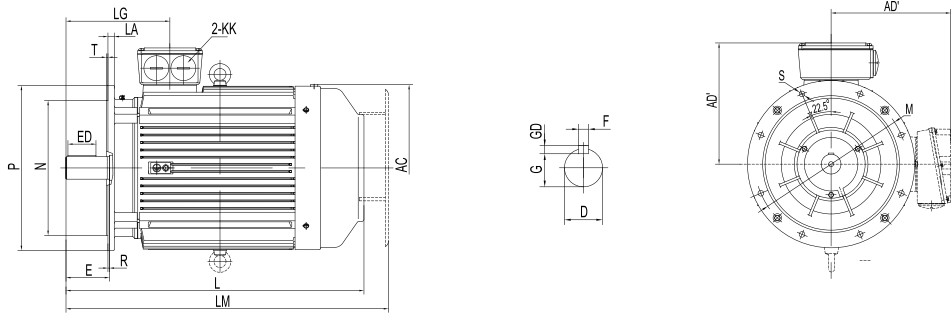
80-132



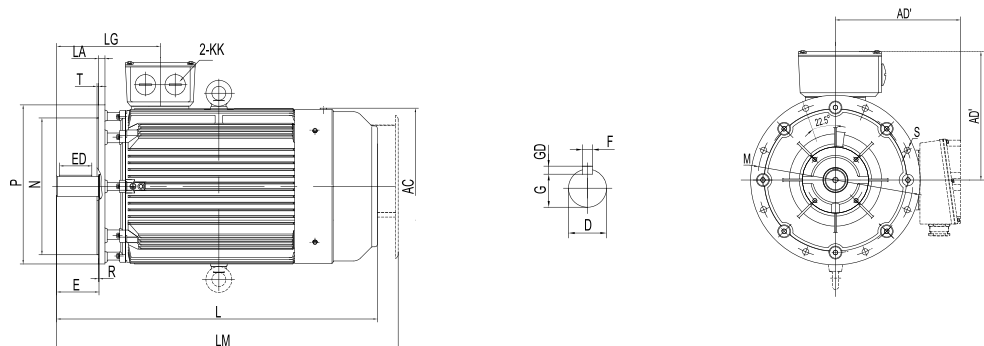
160-200



225-280



315-355



FRAME	AC	AD'	D	E	ED	F	G	GD	KK	L	LM	LA	LG	M	N	P	S	T
80M	175	150	19	40	22	6	15.5	6	M25x1.5	295	335	12	106	165	130	200	12	3.5
90S	190	165	24	50	32	8	20	7	M25x1.5	320	360	12	124	165	130	200	12	3.5
90L	190	165	24	50	32	8	20	7	M25x1.5	345	385	12	124	165	130	200	12	3.5
100L	215	170	28	60	40	8	24	7	M25x1.5	385	430	14	140	215	180	250	14.5	4
112M	236	195	28	60	40	8	24	7	M32x1.5	410	460	14	145	215	180	250	14.5	4
132S	275	215	38	80	56	10	33	8	M32x1.5	480	530	14	169	265	230	300	14.5	4
132M	275	215	38	80	56	10	33	8	M32x1.5	520	570	14	169	265	230	300	14.5	4
160M	330	265	42	110	80	12	37	8	M40x1.5	610	665	15	270	300	250	350	18.5	5
160L	330	265	42	110	80	12	37	8	M40x1.5	655	720	15	270	300	250	350	18.5	5
180M	380	285	48	110	80	14	42.5	9	M40x1.5	680	755	15	277	300	250	350	18.5	5
180L	380	285	48	110	80	14	42.5	9	M40x1.5	720	795	15	277	300	250	350	18.5	5
200L	420	315	55	110	80	16	49	10	M50x1.5	760	845	17	300	350	300	400	18.5	5
225S(4-8P)	465	335	60	140	100	18	53	11	M50x1.5	825	895	20	340	400	350	450	18.5	5
225M(2P)	465	335	55	110	80	16	49	10	M50x1.5	820	890	20	310	400	350	450	18.5	5
225M(4-8P)	465	335	60	140	100	18	53	11	M50x1.5	850	920	20	340	400	350	450	18.5	5
250M(2P)	520	385	60	140	100	18	53	11	M63x1.5	925	1015	20	357	500	450	550	18.5	5
250M(4-8P)	520	385	65	140	100	18	58	11	M63x1.5	925	1015	20	357	500	450	550	18.5	5
280S(2P)	570	415	65	140	100	18	58	11	M63x1.5	970	1075	22	350	500	450	550	18.5	5
280S(4-8P)	570	415	75	140	100	20	67.5	12	M63x1.5	990	1075	22	350	500	450	550	18.5	5
280M(2P)	570	415	65	140	100	18	58	11	M63x1.5	1025	1125	22	350	500	450	550	18.5	5
280M(4-8P)	570	415	75	140	100	20	67.5	12	M63x1.5	1045	1125	22	350	500	450	550	18.5	5
315S(2P)	650	500	65	140	100	18	58	11	M63x1.5	1160	1250	24	387	600	550	660	24	6
315M(2P)	650	500	65	140	100	18	58	11	M63x1.5	1270	1360	24	387	600	550	660	24	6
315L(2P)	650	500	65	140	100	18	58	11	M63x1.5	1270	1360	24	387	600	550	660	24	6
315S(4-8P)	650	500	80	170	130	22	71	14	M63x1.5	1190	1280	24	417	600	550	660	24	6
315M(4-8P)	650	500	80	170	130	22	71	14	M63x1.5	1300	1390	24	417	600	550	660	24	6
315L(4-8P)	650	500	80	170	130	22	71	14	M63x1.5	1300	1390	24	417	600	550	660	24	6
355M(2P)V1	735	645	75	140	110	20	67.5	12	M63x1.5	-	1690	25	420	740	680	800	24	6
355L(2P)V1	735	645	75	140	110	20	67.5	12	M63x1.5	-	1690	25	420	740	680	800	24	6
355M(4-8P)V1	735	645	95	170	140	25	86	14	M63x1.5	-	1720	25	450	740	680	800	24	6
355L(4-8P)V1	735	645	95	170	140	25	86	14	M63x1.5	-	1720	25	450	740	680	800	24	6

Note : R=0



## 产品简介

YE2 系列高效率三相异步电动机是根据国家中小型三相异步电动机能效限定值及能效等级 GB18613-2012 生产制造,电机全部是采用新材料、新工艺和新标准制造的全封闭、自扇冷鼠笼型异步电动机,可广泛应用于风机、水泵、机床、压缩机、运输机械等驱动各种通用机械设备,也可用在石油、化工、钢铁、矿山等其他环境比较恶劣的场所使用。YE2 系列高效率电动机防护等级 IP55,绝缘等级 F 级,其效率高,结构更加合理,振动更小,噪音更低,是 Y、Y2、Y3 系列的理想更新换代产品。

## PRODUCT INTRODUCTION

YE2 series high efficiency motors are made according to national minimum allowable values of energy efficiency and energy efficiency grades for small and medium three-phase asynchronous motors GB18613-2012. motors are totally enclosed fan cooled squirrel cage and adopting with new materials new processing methods and new safety design technology. This series motors can be widely use in various kinds of general use machineries like fans, pumps, machine tools, compressors, transportation and so on, and can also be used in the hazardous areas with oil and chemical, steel paints, mining industry. YE2 series motor is IP55 protection degree class and F insulation. The motors are the entirely refreshed generation products aimed to replace the Y, Y2 and Y3 series motors, with higher efficiency, better structure, lower noise, lower vibration and so on.

## 详细说明

执行标准: JB/T11707-2013, IEC60034-30  
中心高: H80-355mm  
额定输出功率: 0.75kW-375kW  
能效等级: IE2、三级能效 (GB18613-2012)  
电压和频率: 380V/50Hz  
防护等级: IP55  
绝缘 / 温升等级: F/B  
安装形式: B3、B5、B35、V1  
环境温度: -15°C到 +40°C  
相对湿度 ≤ 90%  
海拔 ≤ 1000 米  
冷却方式: IC411  
外形尺寸同 IE1 系列

## SPECIFICATION

Standard: JB/T11707-2013, IEC60034-30  
Frame size: H80-355mm  
Rated power: 0.75kW-375kW  
Degrees of energy efficiency: IE2, Grade 3 (GB18613-2012)  
Voltage and frequency: 380V / 50Hz  
Degrees of protections: IP55  
Degrees of insulation/Temperature rise: F/B  
Installation Method: B3, B5, B35, V1  
Ambient temperature: -15°C ~ +40°C  
Relative humidity should be less than 90%  
Altitude should be lower than 1000 m above sea level  
Cooling Method: IC411  
Dimensions YE2 and IE1 series are the same

#### 2 极 - 同步转速 3000r/min 2-pole, 3000r/min synchronous speed

电机型号	额定功率 kW	额定转速 r/min	额定电流 A	额定电流 A	额定电流 A	额定 效率 $\eta$ %	功率因数 $\cos\phi$	额定转矩 Nm	堵转电流 额定电流	堵转转矩 额定转矩	最大转矩 额定转矩	最小转矩 额定转矩	空载 噪音 dB(A)	负载 噪音 dB(A)	重量 kg
Motor Type	Rated Power kW	Rated Speed r/min	Rated Current 380V A	Rated Current 400V A	Rated Current 415V A	Rated Eff. $\eta$ %	Power Factor $\cos\phi$	Rated Torque Nm	$I_{st}$ $I_n$	$T_{st}$ $T_n$	$T_{max}$ $T_n$	$T_{min}$ $T_n$	LW dB(A) no load	LW dB(A) load	Net Weight kg
YE2-80M1-2	0.75	2830	1.8	1.7	1.6	77.4	0.82	2.5	6.8	2.3	2.3	1.5	62	64	18
YE2-80M2-2	1.1	2830	2.5	2.4	2.3	79.6	0.83	3.7	7.1	2.3	2.3	1.5	62	64	19
YE2-90S-2	1.5	2840	3.3	3.1	3	81.3	0.84	5	7.3	2.3	2.3	1.5	67	69	24
YE2-90L-2	2.2	2840	4.7	4.5	4.3	83.2	0.85	7.4	7.6	2.3	2.3	1.4	67	69	28
YE2-100L-2	3	2870	6.2	5.9	5.7	84.6	0.87	10	7.8	2.2	2.3	1.4	74	76	36
YE2-112M-2	4	2890	8	7.6	7.3	85.8	0.88	13.2	8.1	2.2	2.3	1.4	77	79	42
YE2-132S1-2	5.5	2900	10.9	10.4	10	87	0.88	18.1	8.2	2.2	2.3	1.2	79	81	62
YE2-132S2-2	7.5	2900	14.5	13.8	13.3	88.1	0.89	24.7	7.8	2.2	2.3	1.2	79	81	66
YE2-160M1-2	11	2930	21	20	19.2	89.4	0.89	35.9	7.9	2.2	2.3	1.2	81	83	115
YE2-160M2-2	15	2930	28.4	27	26	90.3	0.89	48.9	7.9	2.2	2.3	1.2	81	83	123
YE2-160L-2	18.5	2930	34.7	33	31.8	90.9	0.89	60.3	8	2.2	2.3	1.1	81	83	141
YE2-180M-2	22	2940	41.1	39	37.6	91.3	0.89	71.5	8.1	2.2	2.3	1.1	83	85	180
YE2-200L1-2	30	2950	55.7	52.9	51	92	0.89	97.2	7.5	2	2.3	1.1	84	86	240
YE2-200L2-2	37	2950	68.3	64.9	62.5	92.5	0.89	120	7.5	2	2.3	1.1	84	86	260
YE2-225M-2	45	2970	82.7	78.6	75.7	92.9	0.89	145	7.5	2.2	2.3	1	86	88	301
YE2-250M-2	55	2970	101	96	92.5	93.2	0.89	177	7.6	2.2	2.3	1	89	91	399
YE2-280S-2	75	2970	137	130	125	93.8	0.89	241	6.9	1.8	2.3	0.9	91	93	530
YE2-280M-2	90	2970	163	155	149	94.1	0.89	290	6.9	1.8	2.3	0.9	91	93	580
YE2-315S-2	110	2980	197	187	180	94.3	0.9	353	7	1.8	2.2	0.9	92	94	830
YE2-315M-2	132	2980	236	224	216	94.6	0.9	423	7	1.8	2.2	0.9	92	94	930
YE2-315L1-2	160	2980	282	268	258	94.8	0.91	513	7.1	1.8	2.2	0.9	92	94	980
YE2-315L-2	185	2980	326	310	298	94.8	0.91	593	7.1	1.8	2.2	0.9	92	94	1065
YE2-315L2-2	200	2980	352	334	322	95	0.91	641	7.1	1.8	2.2	0.8	92	94	1150
YE2-355M1-2	220	2980	387	367	354	95	0.91	705	7.1	1.6	2.2	0.8	92	94	1530
YE2-355M2-2	250	2980	439	417	402	95	0.91	802	7.1	1.6	2.2	0.8	100	102	1640
YE2-355L-2	280	2980	492	468	451	95	0.91	897	7.1	1.6	2.2	0.8	100	102	1780
YE2-355L1-2	315	2980	554	526	507	95	0.91	1010	7.2	1.6	2.2	0.8	100	102	1850
YE2-355L2-2	355	2980	624	593	571	95	0.91	1138	7.2	1.6	2.2	0.8	104	106	2300
YE2-355L3-2	375	2980	659	626	603	95	0.91	1202	7.2	1.6	2.2	0.7	104	106	2350

#### 4 极 - 同步转速 1500r/min 4-pole, 1500 synchronous speed

电机型号	额定功率 kW	额定转速 r/min	额定电流 A	额定电流 A	额定电流 A	额定 效率 η %	功率因数 cosφ	额定转矩 Nm	堵转电流 额定电流	堵转转矩 额定转矩	最大转矩 额定转矩	最小转矩 额定转矩	空载 噪音 dB(A)	负载 噪音 dB(A)	重量 kg
Motor Type	Rated Power kW	Rated Speed r/min	Rated Current 380V A	Rated Current 400V A	Rated Current 415V A	Rated Eff. η %	Power Factor cosφ	Rated Torque Nm	I <sub>st</sub> I <sub>n</sub>	T <sub>st</sub> T <sub>n</sub>	T <sub>max</sub> T <sub>n</sub>	T <sub>min</sub> T <sub>n</sub>	LW dB(A) no load	LW dB(A) load	Net Weight kg
YE2-802-4	0.75	1390	1.9	1.8	1.7	79.6	0.76	5.2	6.4	2.3	2.3	1.6	56	61	20
YE2-90S-4	1.1	1400	2.7	2.6	2.5	81.4	0.77	7.5	6.6	2.3	2.3	1.6	59	64	23
YE2-90L-4	1.5	1400	3.5	3.3	3.2	82.8	0.78	10.2	6.7	2.3	2.3	1.6	59	64	27
YE2-100L1-4	2.2	1430	5	4.8	4.6	84.3	0.8	14.7	7.3	2.3	2.3	1.5	64	69	36
YE2-100L2-4	3	1430	6.6	6.3	6	85.5	0.81	20	7.5	2.3	2.3	1.5	64	69	42
YE2-112M-4	4	1440	8.7	8.3	8	86.6	0.81	26.5	7.5	2.3	2.3	1.5	65	70	47
YE2-132S-4	5.5	1440	11.6	11	10.6	87.7	0.82	36.5	7.5	2	2.3	1.4	71	76	68
YE2-132M-4	7.5	1440	15.5	14.7	14.2	88.7	0.83	49.8	7.3	2	2.3	1.4	71	76	78
YE2-160M-4	11	1460	22.5	21.4	20.6	89.8	0.83	72	7.4	2	2.3	1.4	73	78	120
YE2-160L-4	15	1460	29.9	28.4	27.4	90.6	0.84	98.2	7.5	2	2.3	1.4	73	78	140
YE2-180M-4	18.5	1470	36.3	34.5	33.2	91.2	0.85	120	7.6	2	2.3	1.2	76	80	180
YE2-180L-4	22	1470	42.9	40.8	39.3	91.6	0.85	143	7.7	2.1	2.3	1.2	76	80	190
YE2-200L-4	30	1470	58.1	55.2	53.2	92.3	0.85	195	7.1	2.1	2.3	1.2	76	80	250
YE2-225S-4	37	1480	70.5	67	64.6	92.7	0.86	239	7.3	2.1	2.3	1.2	78	81	300
YE2-225M-4	45	1480	85.4	81.1	78.2	93.1	0.86	290	7.3	2.2	2.3	1.1	78	81	327
YE2-250M-4	55	1480	104	98.8	95.2	93.5	0.86	355	7.3	2.2	2.3	1.1	79	82	410
YE2-280S-4	75	1480	139	132	127	94	0.87	484	6.8	2.2	2.3	1	80	83	560
YE2-280M-4	90	1490	165	157	151	94.2	0.88	577	6.9	2.2	2.3	1	80	83	620
YE2-315S-4	110	1490	199	189	182	94.5	0.89	705	6.9	2.1	2.2	1	88	91	860
YE2-315M-4	132	1490	238	226	218	94.7	0.89	846	6.9	2.1	2.2	1	88	91	970
YE2-315L1-4	160	1490	285	271	261	94.9	0.9	1026	6.9	2.1	2.2	1	88	91	1047
YE2-315L-4	185	1490	329	313	301	94.9	0.9	1186	6.9	2.1	2.2	1	88	91	1100
YE2-315L2-4	200	1490	355	337	325	95.1	0.9	1282	6.9	2.1	2.2	0.9	88	91	1200
YE2-355M1-4	220	1490	391	371	358	95.1	0.9	1410	6.9	2	2.2	0.9	95	97	1575
YE2-355M-4	250	1490	444	422	407	95.1	0.9	1603	6.9	2	2.2	0.9	95	97	1665
YE2-355L-4	280	1490	497	472	455	95.1	0.9	1795	6.9	2	2.2	0.9	95	97	1720
YE2-355L1-4	315	1490	559	531	512	95.1	0.9	2020	6.9	2	2.2	0.8	95	97	1815
YE2-355L2-4	355	1490	637	605	583	95.1	0.89	2276	6.5	1.7	2.2	0.8	102	104	1950
YE2-355L3-4	375	1490	681	647	624	95.1	0.88	2405	6.5	1.7	2.2	0.8	102	104	2350

#### 6 极 - 同步转速 1000r/min 6 -pole, 1000 synchronous speed

电机型号	额定功率 kW	额定转速 r/min	额定电流 A	额定电流 A	额定电流 A	额定 效率 $\eta$ %	功率因数 $\cos\phi$	额定转矩 Nm	堵转电流 额定电流	堵转转矩 额定转矩	最大转矩 额定转矩	最小转矩 额定转矩	空载 噪音 dB(A)	负载 噪音 dB(A)	重量 kg
Motor Type	Rated Power kW	Rated Speed r/min	Rated Current 380V A	Rated Current 400V A	Rated Current 415V A	Rated Eff. $\eta$ %	Power Factor $\cos\phi$	Rated Torque Nm	$I_{st}$ $I_n$	$T_{st}$ $T_n$	$T_{max}$ $T_n$	$T_{min}$ $T_n$	LW dB(A) no load	LW dB(A) load	Net Weight kg
YE2-90S-6	0.75	910	2.1	2	1.9	75.9	0.71	7.9	5.8	2.0	2.1	1.5	57	64	24
YE2-90L-6	1.1	910	3.0	2.9	2.7	78.1	0.72	11.5	5.9	2.0	2.1	1.3	57	64	28
YE2-100L-6	1.5	940	4.0	3.8	3.7	79.8	0.72	15.2	5.9	2.0	2.1	1.3	61	68	36
YE2-112M-6	2.2	940	5.7	5.4	5.2	81.8	0.72	22.4	6.2	2.0	2.1	1.3	65	72	42
YE2-132S-6	3	960	7.6	7.2	7	83.3	0.72	29.9	6.4	2.0	2.1	1.3	69	76	58
YE2-132M1-6	4	960	9.7	9.2	8.9	84.6	0.74	39.8	6.6	2.0	2.1	1.3	69	76	70
YE2-132M2-6	5.5	960	13.0	12.4	11.9	86.0	0.75	54.7	6.8	2.0	2.1	1.3	69	76	74
YE2-160M-6	7.5	970	16.8	16	15.4	87.2	0.78	73.9	6.8	2.0	2.1	1.3	73	80	115
YE2-160L-6	11	970	23.9	22.7	21.9	88.7	0.79	108	6.9	2.0	2.1	1.2	73	80	131
YE2-180L-6	15	970	31.0	29.5	28.4	89.7	0.82	148	7.3	2.0	2.1	1.2	73	79	175
YE2-200L1-6	18.5	970	38.9	37	35.6	90.4	0.80	182	7.2	2.0	2.1	1.2	73	79	230
YE2-200L2-6	22	970	45.4	43.1	41.6	90.9	0.81	217	7.3	2.0	2.1	1.2	73	79	245
YE2-225M-6	30	980	60.6	57.6	55.5	91.7	0.82	292	6.8	2.0	2.1	1.2	74	80	306
YE2-250M-6	37	980	73.5	69.8	67.3	92.2	0.83	361	7.0	2.0	2.1	1.2	76	82	394
YE2-280S-6	45	980	86.8	82.5	79.5	92.7	0.85	439	7.2	2.0	2.0	1.1	78	84	511
YE2-280M-6	55	980	104	98.8	95.2	93.1	0.86	536	7.2	2.0	2.0	1.1	78	84	570
YE2-315S-6	75	990	145	138	133	93.7	0.84	724	6.5	2.0	2.0	1.0	83	88	765
YE2-315M-6	90	990	171	162	157	94.0	0.85	869	6.6	2.0	2.0	1.0	83	88	900
YE2-315L1-6	110	990	209	199	191	94.3	0.85	1062	6.6	2.0	2.0	1.0	83	88	970
YE2-315L2-6	132	990	247	235	226	94.6	0.86	1274	6.6	2.0	2.0	1.0	83	88	1050
YE2-355M1-6	160	990	298	283	273	94.8	0.86	1544	6.7	2.0	2.0	1.0	85	89	1565
YE2-355M-6	185	990	345	328	316	94.8	0.86	1785	6.7	2.0	2.0	1.0	85	89	1655
YE2-355M2-6	200	990	372	353	341	95.0	0.86	1930	6.8	2.0	2.0	0.9	85	89	1740
YE2-355L-6	220	990	409	389	375	95.0	0.86	2122	6.8	2.0	2.0	0.9	85	89	1805
YE2-355L1-6	250	990	465	442	426	95.0	0.86	2413	6.8	2.0	2.0	0.9	85	89	1921
YE2-355L-6	280	990	521	495	477	95.0	0.86	2701	6.8	2.0	2.0	0.9	85	89	2040
YE2-355L2-6	315	990	586	557	537	95.0	0.86	3040	6.8	2.0	2.0	0.8	91	95	2400



## 产品简介

YE3 系列超高效三相异步电动机是根据国家中小型三相异步电动机能效限定值及能效等级 GB18613-2012 生产制造,效率达到 2 级能效。电机全部是采用新材料、新工艺和新标准制造的全封闭、自扇冷鼠笼型异步电动机,可广泛应用于风机、水泵、机床、压缩机、运输机械等驱动各种通用机械设备,也可用在石油、化工、钢铁、矿山等其他环境比较恶劣的场所使用。YE3 系列电动机防护等级 IP55,绝缘等级 F 级,其效率更高,结构更加合理,振动更小,噪音更低,已取得国家节能认证。

## PRODUCT INTRODUCTION

YE3 series super high efficiency motors are made according to national minimum allowable values of energy efficiency and energy efficiency standard GB18613-2012 for small and medium three-phase asynchronous motors and its efficiency reaches grade 2. The motors are totally enclosed fan cooled squirrel cage induction motors, which adopts new materials, new processing methods and new standard. This series motors can be widely used in various kinds of general machinery like fans, pumps, machine tools, compressors, transportation and so on, and can also be used in the hazardous areas with oil, chemical, steel and mining industry. YE3 series motors are protection class IP55 and insulation class F. With higher efficiency, reasonable structure, smaller vibration and lower noise, it has obtained the national energy conservation certificate.

## 详细说明

执行标准: GB/T28575-2012, IEC60034-30  
中心高: H80-355mm  
额定输出功率: 0.75kW-375kW  
能效等级: 二级能效 (GB18613-2012), IE3  
电压和频率: 380V/50Hz  
防护等级: IP55  
绝缘 / 温升等级: F/B  
安装形式: B3、B5、B35、V1  
环境温度: -15°C 到 +40°C  
相对湿度 ≤ 90%  
海拔 ≤ 1000 米  
冷却方式: IC411

## SPECIFICATION

Standard: GB/T28575-2012, IEC60034-30  
Frame size: H80-355mm  
Rated power: 0.75kW-375kW  
Degrees of energy efficiency: Grade 2 (GB18613-2012), IE3  
Voltage and frequency: 380V/ 50Hz  
Degrees of protections: IP55  
Degrees of insulation/Temperature rise: F/B  
Installation Method: B3、B5、B35、V1  
Ambient temperature: -15°C ~ +40°C  
Relative humidity should be less than 90%  
Altitude should be lower than 1000 m above sea level  
Cooling Method: IC411



## 2极 - 同步转速 3000r/min 2-pole, 3000r/min synchronous speed

电机型号	额定功率 kW	额定转速 r/min	额定电流 A	额定电流 A	额定电流 A	额定效率 η %	功率因数 cosφ	额定转矩 Nm	堵转电流 额定电流	堵转转矩 额定转矩	最大转矩 额定转矩	转动惯量	空载噪音 dB(A)	负载噪音 dB(A)	重量
Motor Type	Rated Power kW	Rated Speed r/min	Rated Current 380V A	Rated Current 400V A	Rated Current 415V A	Rated Eff. η%	Power Factor cosφ	Rated Torque Nm	$\frac{I_{st}}{I_n}$	$\frac{T_{st}}{T_n}$	$\frac{T_{max}}{T_n}$	M of 1 kgm <sup>2</sup>	LW dB(A) no load	LW dB(A) load	Net Weight Kg
YE3-80M1-2	0.75	2910	1.7	1.6	1.6	80.7	0.82	2.5	7.0	2.3	2.3	0.001	62	64	20
YE3-80M2-2	1.1	2910	2.4	2.3	2.2	82.7	0.83	3.6	7.3	2.2	2.3	0.002	62	64	22
YE3-90S-2	1.5	2910	3.2	3.1	3	84.2	0.84	4.9	7.6	2.2	2.3	0.002	67	69	25
YE3-90L-2	2.2	2910	4.6	4.3	4.2	85.9	0.85	7.2	7.6	2.2	2.3	0.003	67	69	32
YE3-100L-2	3	2910	6	5.7	5.5	87.1	0.87	9.8	7.8	2.2	2.3	0.006	74	76	42
YE3-112M-2	4	2915	7.8	7.4	7.2	88.1	0.88	13.1	8.3	2.2	2.3	0.009	77	79	50
YE3-132S1-2	5.5	2920	10.6	10.1	9.7	89.2	0.88	18	8.3	2.0	2.3	0.024	79	81	70
YE3-132S2-2	7.5	2920	14.4	13.7	13.2	90.1	0.88	24.5	7.9	2.0	2.3	0.029	79	81	75
YE3-160M1-2	11	2935	20.6	19.6	18.9	91.2	0.89	35.8	8.1	2.0	2.3	0.067	81	83	132
YE3-160M2-2	15	2935	27.9	26.5	25.5	91.9	0.89	48.8	8.1	2.0	2.3	0.080	81	83	140
YE3-160L-2	18.5	2935	34.2	32.5	31.3	92.4	0.89	60.2	8.2	2.0	2.3	0.097	81	83	150
YE3-180M-2	22	2940	40.5	38.5	37.1	92.7	0.89	71.5	8.2	2.0	2.3	0.137	83	85	200
YE3-200L1-2	30	2950	54.9	52.1	50.3	93.3	0.89	97.1	7.6	2.0	2.3	0.227	84	86	260
YE3-200L2-2	37	2950	67.4	64	61.7	93.7	0.89	120	7.6	2.0	2.3	0.269	84	86	270
YE3-225M-2	45	2970	80.8	76.8	74	94.0	0.90	145	7.7	2.0	2.3	0.360	86	88	330
YE3-250M-2	55	2970	98.5	93.5	90.2	94.3	0.90	177	7.7	2.0	2.3	0.791	89	91	450
YE3-280S-2	75	2975	134	127	122	94.7	0.90	241	7.1	1.8	2.3	0.960	91	93	580
YE3-280M-2	90	2975	160	152	146	95.0	0.90	289	7.1	1.8	2.3	1.157	91	93	630
YE3-315S-2	110	2980	195	185	179	95.2	0.90	353	7.1	1.8	2.3	1.662	92	94	935
YE3-315M-2	132	2980	234	222	214	95.4	0.90	423	7.1	1.8	2.3	1.874	92	94	1032
YE3-315L1-2	160	2980	279	265	256	95.6	0.91	513	7.2	1.8	2.3	2.146	92	94	1100
YE3-315L-2	185	2980	323	307	296	95.6	0.91	593	7.2	1.8	2.3	2.266	92	94	1130
YE3-315L2-2	200	2980	349	331	319	95.8	0.91	641	7.2	1.8	2.2	2.448	92	94	1160
YE3-355M1-2	220	2980	388	368	355	95.8	0.90	705	7.2	1.6	2.2	2.693	100	102	1615
YE3-355M2-2	250	2980	436	414	399	95.8	0.91	801	7.2	1.6	2.2	4.034	100	102	1658
YE3-355L-2	280	2980	488	464	447	95.8	0.91	897	7.2	1.6	2.2	4.095	100	102	1736
YE3-355L1-2	315	2980	549	522	503	95.8	0.91	1010	7.2	1.6	2.2	4.645	100	102	1822
YE3-355L2-2	355	2980	619	588	567	95.8	0.91	1138	7.2	1.6	2.2	5.242	104	106	2300
YE3-355L3-2	375	2980	654	621	598	95.8	0.91	1202	7.2	1.6	2.2	5.536	104	106	2350

#### 4极 - 同步转速 1500r/min 4-pole, 1500r/min synchronous speed

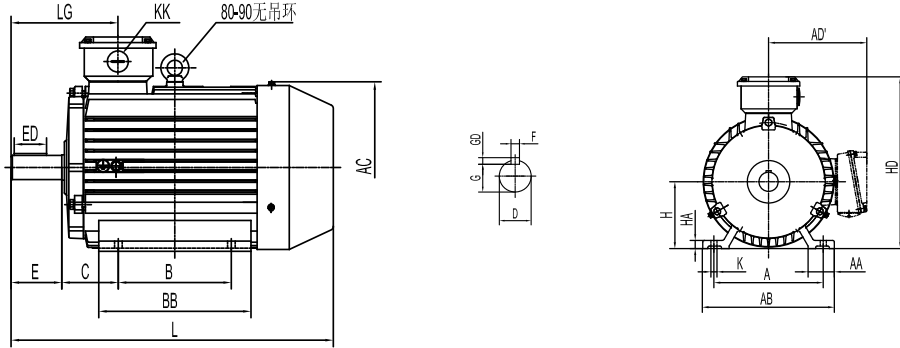
电机型号	额定功率 kW	额定转速 r/min	额定电流 A	额定电流 A	额定电流 A	额定效率 η%	功率因数 cosφ	额定转矩 Nm	堵转电流 额定电流	堵转转矩 额定转矩	最大转矩 额定转矩	转动惯量	空载噪音 dB(A)	负载噪音 dB(A)	重量
Motor Type	Rated Power kW	Rated Speed r/min	Rated Current 380V A	Rated Current 400V A	Rated Current 415V A	Rated Eff. η%	Power Factor cosφ	Rated Torque Nm	I <sub>st</sub> / I <sub>n</sub>	T <sub>st</sub> / T <sub>n</sub>	T <sub>max</sub> / T <sub>n</sub>	Mof1 kgm <sup>2</sup>	LW dB(A) no load	LW dB(A) load	Net Weight Kg
YE3-802-4	0.75	1430	1.8	1.7	1.7	82.5	0.75	5	6.6	2.3	2.3	0.003	56	61	21
YE3-90S-4	1.1	1435	2.6	2.5	2.4	84.1	0.76	7.3	6.8	2.3	2.3	0.004	59	64	29
YE3-90L-4	1.5	1435	3.5	3.3	3.2	85.3	0.77	10	7.0	2.3	2.3	0.005	59	64	33
YE3-100L1-4	2.2	1450	4.8	4.5	4.4	86.7	0.81	14.5	7.6	2.3	2.3	0.012	64	69	40
YE3-100L2-4	3	1450	6.3	6	5.8	87.7	0.82	19.8	7.6	2.3	2.3	0.016	64	69	45
YE3-112M-4	4	1455	8.4	7.9	7.7	88.6	0.82	26.3	7.8	2.2	2.3	0.022	65	70	55
YE3-132S-4	5.5	1460	11.2	10.7	10.3	89.6	0.83	36	7.9	2.0	2.3	0.060	71	76	75
YE3-132M-4	7.5	1460	15	14.3	13.7	90.4	0.84	49.1	7.5	2.0	2.3	0.071	71	76	88
YE3-160M-4	11	1470	21.5	20.4	19.7	91.4	0.85	71.5	7.7	2.2	2.3	0.137	73	78	132
YE3-160L-4	15	1470	28.8	27.3	26.3	92.1	0.86	97.4	7.8	2.2	2.3	0.171	73	78	150
YE3-180M-4	18.5	1475	35.3	33.5	32.3	92.6	0.86	120	7.8	2.0	2.3	0.238	76	80	190
YE3-180L-4	22	1475	41.8	39.7	38.3	93.0	0.86	142	7.8	2.0	2.3	0.259	76	80	206
YE3-200L-4	30	1475	56.6	53.8	51.9	93.6	0.86	194	7.3	2.0	2.3	0.459	76	80	278
YE3-225S-4	37	1480	69.6	66.1	63.7	93.9	0.86	239	7.4	2.0	2.3	0.656	78	81	330
YE3-225M-4	45	1480	84.4	80.2	77.3	94.2	0.86	290	7.4	2.0	2.3	0.758	78	81	360
YE3-250M-4	55	1485	103	97.6	94.1	94.6	0.86	354	7.4	2.2	2.3	1.078	79	82	450
YE3-280S-4	75	1485	136	129	125	95.0	0.88	482	6.9	2.0	2.3	1.800	80	83	640
YE3-280M-4	90	1485	163	155	149	95.2	0.88	579	6.9	2.0	2.3	2.130	80	83	722
YE3-315S-4	110	1490	197	187	180	95.4	0.89	705	7.0	2.0	2.2	3.415	88	91	960
YE3-315M-4	132	1490	236	224	216	95.6	0.89	846	7.0	2.0	2.2	3.807	88	91	1050
YE3-315L1-4	160	1490	285	271	261	95.8	0.89	1026	7.1	2.0	2.2	3.423	88	91	1150
YE3-315L-4	185	1490	330	313	302	95.8	0.89	1186	7.1	2.0	2.2	4.479	88	91	1200
YE3-315L2-4	200	1490	352	334	322	96.0	0.90	1282	7.1	2.0	2.2	5.262	88	91	1250
YE3-355M1-4	220	1490	387	368	354	96.0	0.90	1410	7.1	2.0	2.2	5.449	95	97	1632
YE3-355M2-4	250	1490	440	418	403	96.0	0.90	1602	7.1	2.0	2.2	6.192	95	97	1725
YE3-355L-4	280	1490	492	468	451	96.0	0.90	1795	7.1	2.0	2.2	6.732	95	97	1792
YE3-355L1-4	315	1490	554	526	507	96.0	0.90	2019	7.1	2.0	2.2	7.273	95	97	1960
YE3-355L2-4	355	1490	638	607	585	96.0	0.88	2275	7.0	1.7	2.2	8.196	102	104	2150
YE3-355L3-4	375	1490	674	641	618	96.0	0.88	2404	7.0	1.7	2.2	8.658	102	104	2350

#### 6极 - 同步转速 1000r/min 6-pole, 1000r/min synchronous speed

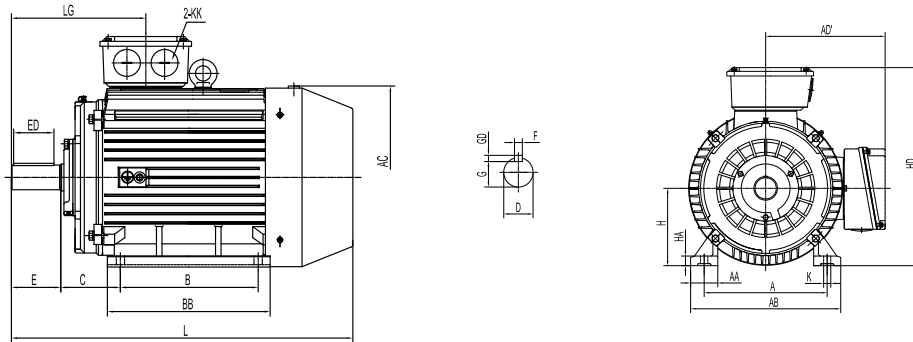
电机型号	额定功率 kW	额定转速 r/min	额定电流 A	额定电流 A	额定电流 A	额定效率 η%	功率因数 cosφ	额定转矩 Nm	堵转电流 额定电流	堵转转矩 额定转矩	最大转矩 额定转矩	转动惯量	空载噪音 dB(A)	负载噪音 dB(A)	重量
Motor Type	Rated Power kW	Rated Speed r/min	Rated Current 380V A	Rated Current 400V A	Rated Current 415V A	Rated Eff. η%	Power Factor cosφ	Rated Torque Nm	$I_{st}$ In	$T_{st}$ Tn	$T_{max}$ Tn	M of 1 kgm <sup>2</sup>	LW dB(A) no load	LW dB(A) load	Net Weight Kg
YE3-90S-6	0.75	930	2	1.9	1.9	78.9	0.71	7.7	6.0	2.0	2.1	0.004	57	64	26
YE3-90L-6	1.1	930	2.8	2.7	2.6	81.0	0.73	11.3	6.0	2.0	2.1	0.006	57	64	30
YE3-100L-6	1.5	950	3.8	3.6	3.5	82.5	0.73	15.1	6.5	2.0	2.1	0.016	61	68	38
YE3-112M-6	2.2	960	5.4	5.1	4.9	84.3	0.74	21.9	6.6	2.0	2.1	0.039	65	72	48
YE3-132S-6	3	970	7.2	6.8	6.6	85.6	0.74	29.5	6.8	2.0	2.1	0.035	69	76	65
YE3-132M1-6	4	970	9.5	9	8.7	86.8	0.74	39.4	6.8	2.0	2.1	0.043	69	76	76
YE3-132M2-6	5.5	970	12.7	12	11.6	88.0	0.75	54.1	7.0	2.0	2.1	0.056	69	76	85
YE3-160M-6	7.5	975	16.2	15.4	14.8	89.1	0.79	73.5	7.0	2.0	2.1	0.140	73	80	130
YE3-160L-6	11	975	23.1	22	21.2	90.3	0.80	108	7.2	2.0	2.1	0.192	73	80	145
YE3-180L-6	15	985	30.9	29.3	28.2	91.2	0.81	145	7.3	2.0	2.1	0.319	73	79	195
YE3-200L1-6	18.5	980	37.8	36	34.7	91.7	0.81	180	7.3	2.0	2.1	0.446	73	79	250
YE3-200L2-6	22	980	44.8	42.5	41	92.2	0.81	214	7.4	2.0	2.1	0.557	73	79	265
YE3-225M-6	30	980	59.1	56.1	54.1	92.9	0.83	292	6.9	2.0	2.1	0.832	74	80	320
YE3-250M-6	37	980	71.7	68.1	65.7	93.3	0.84	361	7.1	2.0	2.1	1.447	76	82	420
YE3-280S-6	45	980	85.8	81.6	78.6	93.7	0.85	439	7.3	2.0	2.0	2.252	78	84	555
YE3-280M-6	55	980	103	98.1	94.6	94.1	0.86	536	7.3	2.0	2.0	2.726	78	84	630
YE3-315S-6	75	990	143	136	131	94.6	0.84	724	6.6	2.0	2.0	3.984	83	88	865
YE3-315M-6	90	990	170	161	155	94.9	0.85	868	6.7	2.0	2.0	4.500	83	88	980
YE3-315L1-6	110	990	207	196	189	95.1	0.85	1061	6.7	2.0	2.0	5.607	83	88	1100
YE3-315L2-6	132	990	244	232	224	95.4	0.86	1273	6.8	2.0	2.0	6.935	83	88	1200
YE3-355M1-6	160	990	296	281	271	95.6	0.86	1543	6.8	1.8	2.0	10.222	85	89	1650
YE3-355M-6	185	990	342	325	313	95.6	0.86	1785	6.8	1.8	2.0	10.750	85	89	1750
YE3-355M2-6	200	990	365	346	334	95.8	0.87	1929	6.8	1.8	2.0	11.031	85	89	1810
YE3-355M3-6	220	990	402	382	368	95.8	0.87	2122	6.8	1.8	2.0	11.705	85	89	1910
YE3-355L2-6	250	990	456	433	417	95.8	0.87	2412	6.8	1.8	2.0	11.897	85	89	2060
YE3-355L-6	280	990	512	486	468	95.8	0.87	2701	6.8	1.8	2.0	14.333	85	89	2110
YE3-355L3-6	315	990	581	552	532	95.8	0.86	3039	6.8	1.8	2.0	14.990	91	95	2400

**B3 外形及安装尺寸图**  
DIMENSIONS MOUNT B3

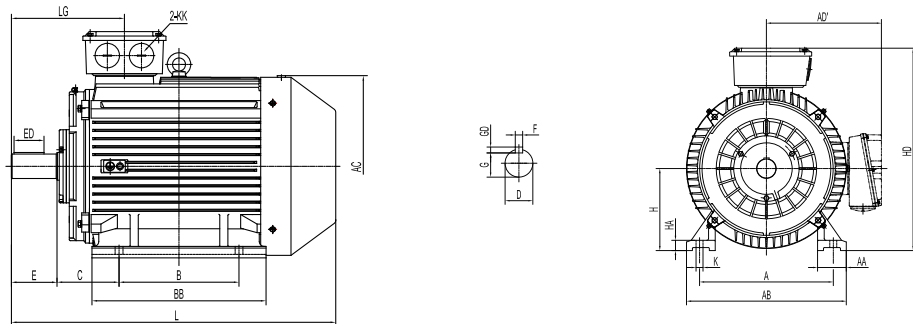
**YE3-80-132**



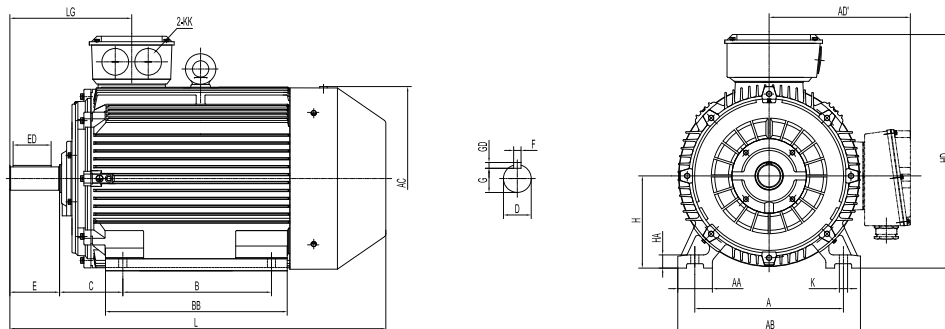
**YE3-160-200**



**YE3-225-280**



**YE3-315-355**

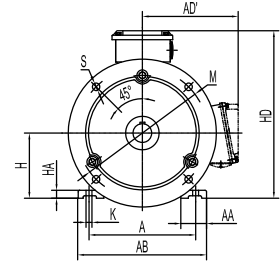
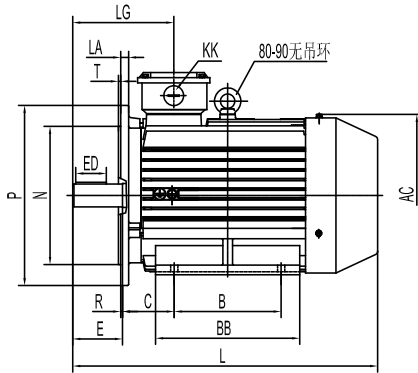


机座号	A	AA	AB	AC	AD'	B	BB	C	D	E	ED	F	G	GD	H	HA	HD	K	KK	L	LG
80	125	34	160	180	160	100	142	50	19	40	22	6	15.5	6	80	10	240	10	M25X1.5	305	112
90S	140	36	180	210	170	100	180	56	24	50	32	8	20	7	90	12.5	260	10	M25X1.5	340	132
90L	140	36	180	210	165	125	210	56	24	50	32	8	20	7	90	12.5	260	10	M25X1.5	365	132
100L	160	40	200	220	185	140	233	63	28	60	40	8	24	7	100	14	285	12	M25X1.5	403	153
112M	190	45	236	236	205	140	252	70	28	60	40	8	24	7	112	14	315	12	M32X1.5	410	144
132S	216	52	265	275	225	140	220	89	38	80	56	10	33	8	132	16	355	12	M32X1.5	485	167
132M	216	52	265	275	225	178	258	89	38	80	56	10	33	8	132	16	355	12	M32X1.5	525	167
160M	254	65	320	330	265	210	325	108	42	110	80	12	37	8	160	19	425	14.5	M40X1.5	665	268
160L	254	65	320	330	265	254	325	108	42	110	80	12	37	8	160	19	425	14.5	M40X1.5	665	268
180M	279	70	350	380	285	241	335	121	48	110	80	14	42.5	9	180	22	465	14.5	M40X1.5	730	277
180L	279	70	350	380	285	279	335	121	48	110	80	14	42.5	9	180	22	465	14.5	M40X1.5	730	277
200L	318	80	390	420	310	305	355	133	55	110	90	16	49	10	200	25	510	18.5	M50X1.5	790	298
225S(4-6P)	356	75	435	465	335	286	350	149	60	140	100	18	53	11	225	28	560	18.5	M50X1.5	840	338
225M(2P)	356	75	435	465	335	311	375	149	55	110	80	16	49	10	225	28	560	18.5	M50X1.5	865	338
225M(4-6P)	356	75	435	465	335	311	375	149	60	140	100	18	53	11	225	28	560	18.5	M50X1.5	865	338
250M(2P)	406	100	485	520	385	349	450	168	60	140	100	18	53	11	250	33	635	24	M63X1.5	945	360
250M(4-6P)	406	100	485	520	385	349	450	168	65	140	100	18	58	11	250	33	635	24	M63X1.5	945	360
280S(2P)	457	105	550	570	415	368	490	190	65	140	100	18	58	11	280	35	695	24	M63X1.5	990	344
280S(4-6P)	457	105	550	570	415	368	490	190	75	140	100	20	67.5	12	280	35	695	24	M63X1.5	990	344
280M(2P)	457	105	550	570	415	419	540	190	65	140	100	18	58	11	280	35	695	24	M63X1.5	1045	344
280M(4-6P)	457	105	550	570	415	419	540	190	75	140	100	20	67.5	12	280	35	695	24	M63X1.5	1045	344
315S(2P)	508	125	630	650	490	406	515	216	65	140	100	18	58	11	315	45	805	28	M63X1.5	1185	417
315M(2P)	508	125	630	650	490	457	625	216	65	140	100	18	58	11	315	45	805	28	M63X1.5	1295	417
315L(2P)	508	125	630	650	490	508	625	216	65	140	100	18	58	11	315	45	805	28	M63X1.5	1295	417
315S(4-6P)	508	125	630	650	490	406	515	216	80	170	130	22	71	14	315	45	805	28	M63X1.5	1215	417
315M(4-6P)	508	125	630	650	490	457	625	216	80	170	130	22	71	14	315	45	805	28	M63X1.5	1325	417
315L(4-6P)	508	125	630	650	490	508	625	216	80	170	130	22	71	14	315	45	805	28	M63X1.5	1325	417
355M(2P)	610	125	735	735	645	560	850	254	75	140	110	20	67.5	12	355	49	1000	28	M63X1.5	1620	420
355L1(2P)	610	125	735	735	645	630	850	254	75	140	110	20	67.5	12	355	49	1000	28	M63X1.5	1620	420
355L2,3(2P)	630	135	760	800	770	800	1140	224	80	170	130	22	71	14	355	52	1000	35	M63X1.5	1870	472
355M(4-6P)	610	125	735	735	645	560	850	254	95	170	140	25	86	14	355	49	1000	28	M63X1.5	1650	450
355L1(4-6P)	610	125	735	735	645	630	850	254	95	170	140	25	86	14	355	49	1000	28	M63X1.5	1650	450
355L3-4PL2-6P	630	135	760	800	770	800	1140	224	110	210	180	28	100	16	355	52	1000	35	M63X1.5	1940	512

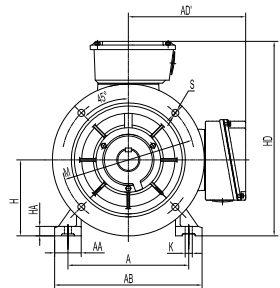
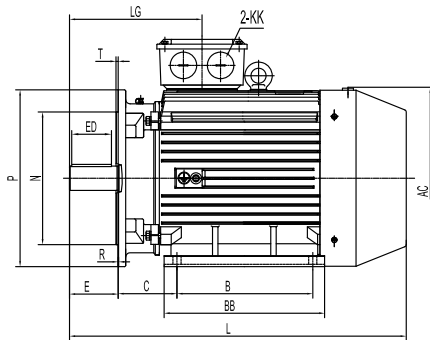
# B35 外形及安装尺寸图

DIMENSIONS MOUNT B35

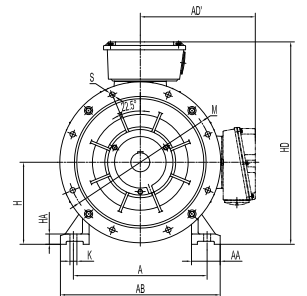
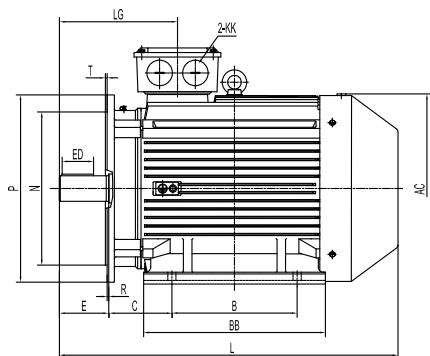
## YE3-80-132



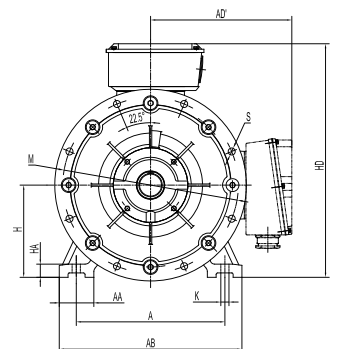
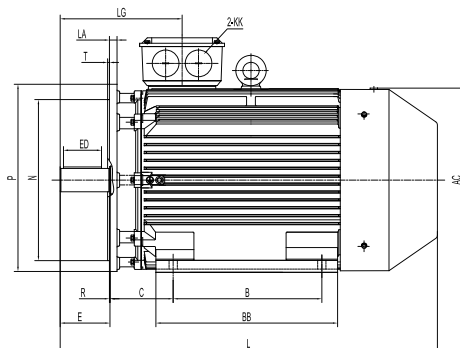
## YE3-160-200



## YE3-225-280



## YE3-315-355

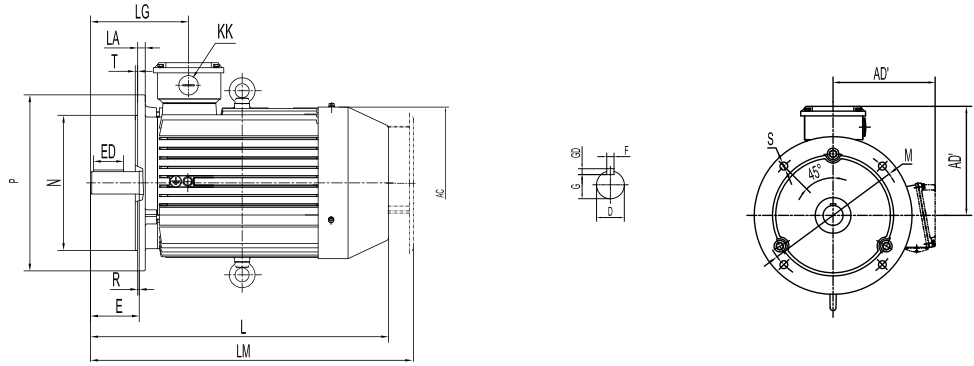


机座号	A	AA	AB	AC	AD'	B	BB	C	D	E	ED	F	G	GD	H	HA	HD	K	L	LA	LG	M	N	P	S	T	KK
80	125	34	160	180	160	100	142	50	19	40	22	6	15.5	6	80	10	240	10	305	14	112	165	130	200	12	3.5	M25X1.5
90S	140	36	180	210	170	100	180	56	24	50	32	8	20	7	90	13	260	10	340	12	132	165	130	200	12	3.5	M25X1.5
90L	140	36	180	210	165	125	210	56	24	50	32	8	20	7	90	13	260	10	365	12	132	165	130	200	12	3.5	M25X1.5
100L	160	40	200	220	185	140	233	63	28	60	40	8	24	7	100	14	285	12	403	14	153	215	180	250	14.5	4	M25X1.5
112M	190	45	230	236	205	140	252	70	28	60	40	8	24	7	112	14	315	12	410	12	144	215	180	250	14.5	4	M32X1.5
132S	216	52	265	275	225	140	220	89	38	80	56	10	33	8	132	16	355	12	485	13	167	265	230	300	14.5	4	M32X1.5
132M	216	52	265	275	225	178	258	89	38	80	56	10	33	8	132	16	355	12	525	13	167	265	230	300	14.5	4	M32X1.5
160M	254	65	320	330	265	210	325	108	42	110	80	12	37	8	160	19	425	14.5	665	15	268	300	250	350	18.5	5	M40X1.5
160L	254	65	320	330	265	254	325	108	42	110	80	12	37	8	160	19	425	14.5	665	15	268	300	250	350	18.5	5	M40X1.5
180M	279	70	350	380	285	241	335	121	48	110	80	14	42.5	9	180	22	465	14.5	730	15	277	300	250	350	18.5	5	M40X1.5
180L	279	70	350	380	285	279	335	121	48	110	80	14	42.5	9	180	22	465	14.5	730	15	277	300	250	350	18.5	5	M40X1.5
200L	318	80	390	420	310	305	355	133	55	110	90	16	49	10	200	25	510	18.5	790	17	298	350	300	400	18.5	5	M50X1.5
225S(4-6P)	356	75	435	465	335	286	350	149	60	140	100	18	53	11	225	28	560	18.5	840	19	338	400	350	450	18.5	5	M50X1.5
225M(2P)	356	75	435	465	335	311	375	149	55	110	80	16	49	10	225	28	560	18.5	865	19	338	400	350	450	18.5	5	M50X1.5
225M(4-6P)	356	75	435	465	335	311	375	149	60	140	100	18	53	11	225	28	560	18.5	865	19	338	400	350	450	18.5	5	M50X1.5
250M(2P)	406	100	485	520	385	349	450	168	60	140	100	18	53	11	250	33	635	24	945	20	360	500	450	550	18.5	5	M63X1.5
250M(4-6P)	406	100	485	520	385	349	450	168	65	140	100	18	58	11	250	33	635	24	945	20	360	500	450	550	18.5	5	M63X1.5
280S(2P)	457	105	550	570	415	368	490	190	65	140	100	18	58	11	280	35	695	24	990	22	344	500	450	550	18.5	5	M63X1.5
280S(4-6P)	457	105	550	570	415	368	490	190	75	140	100	20	67.5	12	280	35	695	24	990	22	344	500	450	550	18.5	5	M63X1.5
280M(2P)	457	105	550	570	415	419	540	190	65	140	100	18	58	11	280	35	695	24	1045	22	344	500	450	550	18.5	5	M63X1.5
280M(4-6P)	457	105	550	570	415	419	540	190	75	140	100	20	67.5	12	280	35	695	24	1045	22	344	500	450	550	18.5	5	M63X1.5
315S(2P)	508	125	630	650	490	406	515	216	65	140	100	18	58	11	315	45	805	28	1185	24	417	600	550	660	24	6	M63X1.5
315M(2P)	508	125	630	650	490	457	625	216	65	140	100	18	58	11	315	45	805	28	1295	24	417	600	550	660	24	6	M63X1.5
315L(2P)	508	125	630	650	490	508	625	216	65	140	100	18	58	11	315	45	805	28	1295	24	417	600	550	660	24	6	M63X1.5
315S(4-6P)	508	125	630	650	490	406	515	216	80	170	130	22	71	14	315	45	805	28	1185	24	417	600	550	660	24	6	M63X1.5
315M(4-6P)	508	125	630	650	490	457	625	216	80	170	130	22	71	14	315	45	805	28	1325	24	417	600	550	660	24	6	M63X1.5
315L(4-6P)	508	125	630	650	490	508	625	216	80	170	130	22	71	14	315	45	805	28	1325	24	417	600	550	660	24	6	M63X1.5
355M(2P)	610	125	735	735	645	560	850	254	75	140	110	20	67.5	12	355	49	1000	28	1620	25	420	740	680	800	24	6	M63X1.5
355L1(2P)	610	125	735	735	645	630	850	254	75	140	110	20	67.5	12	355	49	1000	28	1620	25	420	740	680	800	24	6	M63X1.5
355L2,3(2P)	630	135	760	800	770	800	1140	224	80	170	130	22	71	14	355	52	1000	35	1870	25	472	840	780	900	24	6	M63X1.5
355M(4-6P)	610	125	735	735	645	560	850	254	95	170	140	25	86	14	355	49	1000	28	1650	25	450	740	680	800	24	6	M63X1.5
355L1(4-6P)	610	125	735	735	645	630	850	254	95	170	140	25	86	14	355	49	1000	28	1650	25	450	740	680	800	24	6	M63X1.5
355L3-4PL2-6P	630	135	760	800	770	800	1140	224	110	210	180	28	100	16	355	52	1000	35	1940	25	512	840	780	900	24	6	M63X1.5

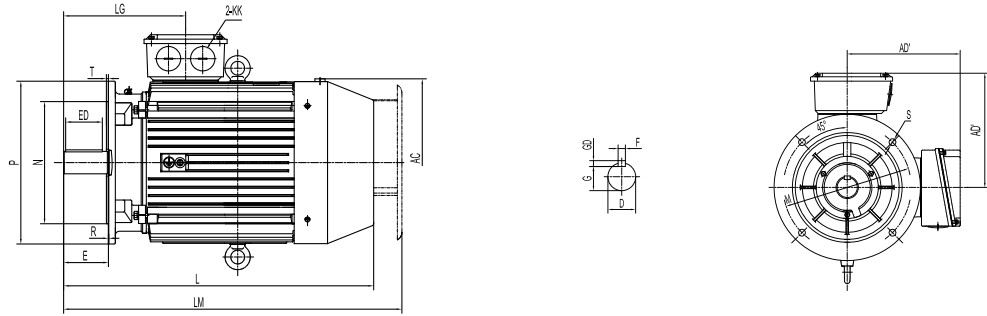
Note: R=0

**B5&V1 外形及安装尺寸图**  
 DIMENSIONS MOUNT B35 & V1

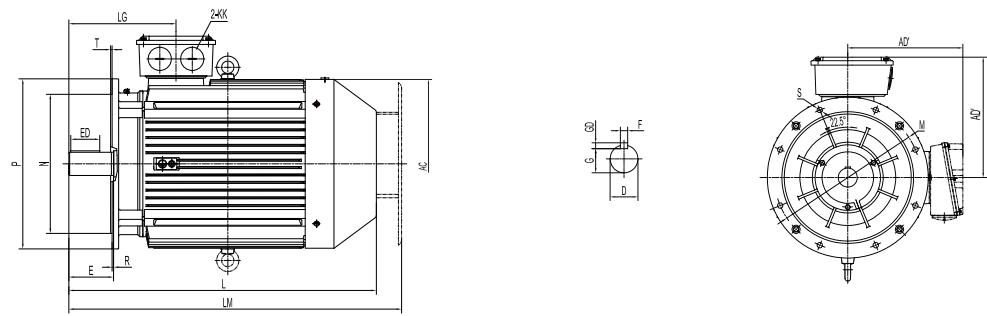
**YE3-80-132**



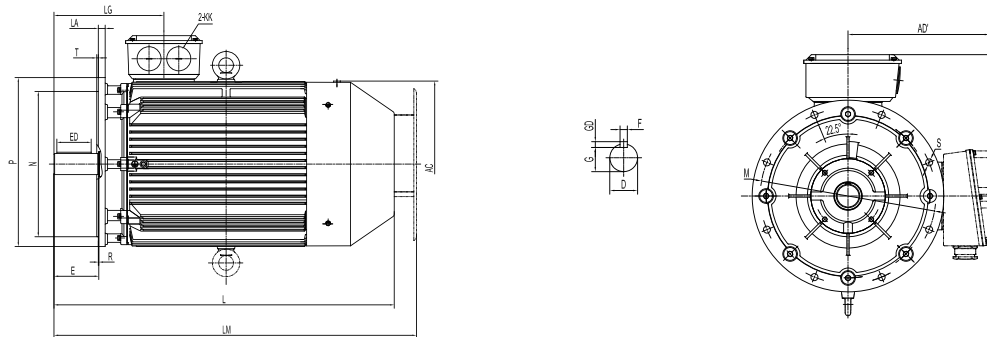
**YE3-160-200**



**YE3-225-280**



**YE3-315-355**





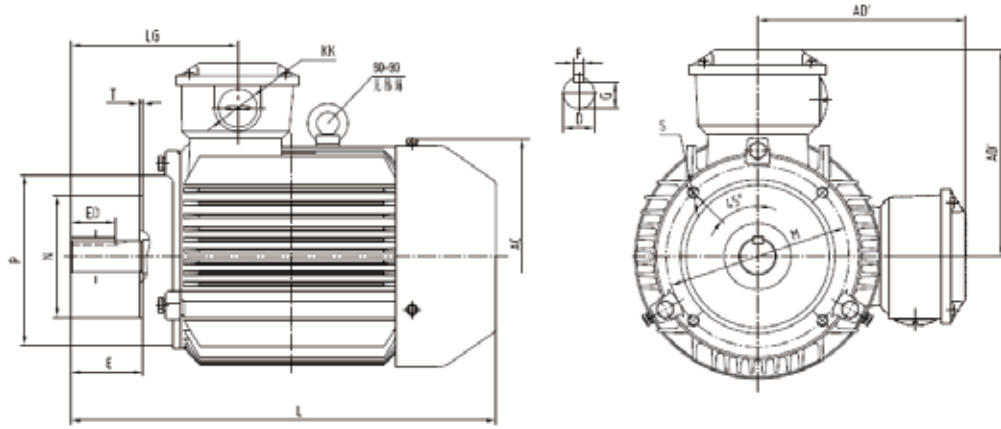
机座号	AC	AD'	D	E	ED	F	G	GD	L	LA	LG	LM	M	N	P	S	T	KK
80	175	160	19	40	22	6	15.5	6	305	14	112	345	165	130	200	12	3.5	M25X1.5
90S	195	170	24	50	32	8	20	7	340	12	132	380	165	130	200	12	3.5	M25X1.5
90L	195	170	24	50	32	8	20	7	365	12	132	405	165	130	200	12	3.5	M25X1.5
100L	215	185	28	60	40	8	24	7	403	14	153	450	215	180	250	14.5	4	M25X1.5
112M	240	205	28	60	40	8	24	7	410	12	144	460	215	180	250	14.5	4	M32X1.5
132S	275	225	38	80	56	10	33	8	485	13	167	535	265	230	300	14.5	4	M32X1.5
132M	275	225	38	80	56	10	33	8	525	13	167	575	265	230	300	14.5	4	M32X1.5
160M	330	265	42	110	80	12	37	8	665	15	268	720	300	250	350	18.5	5	M40X1.5
160L	330	265	42	110	80	12	37	8	665	15	268	720	300	250	350	18.5	5	M40X1.5
180M	380	285	48	110	80	14	42.5	9	730	15	277	785	300	250	350	18.5	5	M40X1.5
180L	380	285	48	110	80	14	42.5	9	730	15	277	785	300	250	350	18.5	5	M40X1.5
200L	420	310	55	110	90	16	49	10	790	17	298	860	350	300	400	18.5	5	M50X1.5
225S(4-6P)	465	335	60	140	100	18	53	11	840	19	338	910	400	350	450	18.5	5	M50X1.5
225M(2P)	465	335	55	110	80	16	49	10	865	19	338	935	400	350	450	18.5	5	M50X1.5
225M(4-6P)	465	335	60	140	100	18	53	11	865	19	338	935	400	350	450	18.5	5	M50X1.5
250M(2P)	520	385	60	140	100	18	53	11	945	20	360	1025	500	450	550	18.5	5	M63X1.5
250M(4-6P)	520	385	65	140	100	18	58	11	945	20	360	1025	500	450	550	18.5	5	M63X1.5
280S(2P)	570	415	65	140	100	18	58	11	990	22	344	1080	500	450	550	18.5	5	M63X1.5
280S(4-6P)	570	415	75	140	100	20	67.5	12	990	22	344	1080	500	450	550	18.5	5	M63X1.5
280M(2P)	570	415	65	140	100	18	58	11	1045	22	344	1125	500	450	550	18.5	5	M63X1.5
280M(4-6P)	570	415	75	140	100	20	67.5	12	1045	22	344	1125	500	450	550	18.5	5	M63X1.5
315S(2P)	650	490	65	140	100	18	58	11	1185	24	417	1285	600	550	660	24	6	M63X1.5
315M(2P)	650	490	65	140	100	18	58	11	1295	24	417	1395	600	550	660	24	6	M63X1.5
315L(2P)	650	490	65	140	100	18	58	11	1295	24	417	1395	600	550	660	24	6	M63X1.5
315S(4-6P)	650	490	80	170	130	22	71	14	1215	24	417	1315	600	550	660	24	6	M63X1.5
315M(4-6P)	650	490	80	170	130	22	71	14	1325	24	417	1425	600	550	660	24	6	M63X1.5
315L(4-6P)	650	490	80	170	130	22	71	14	1325	24	417	1425	600	550	660	24	6	M63X1.5
355M(2P)V1	735	645	75	140	110	20	67.5	12	1620	25	420	1720	740	680	800	24	6	M63X1.5
355L1(2P)V1	735	645	75	140	110	20	67.5	12	1620	25	420	1720	740	680	800	24	6	M63X1.5
355L2,3(2P)V1	800	770	80	170	130	22	71	14	1870	25	472	1970	840	780	900	24	6	M63X1.5
355M(4-6P)V1	735	645	95	170	140	25	86	14	1650	25	450	1750	740	680	800	24	6	M63X1.5
355L1(4-6P)V1	735	645	95	170	140	25	86	14	1650	25	450	1750	740	680	800	24	6	M63X1.5
355L3-4P;L2-6P;V1	800	770	110	210	180	28	100	16	1940	25	512	2040	840	780	900	24	6	M63X1.5

Note: R=0

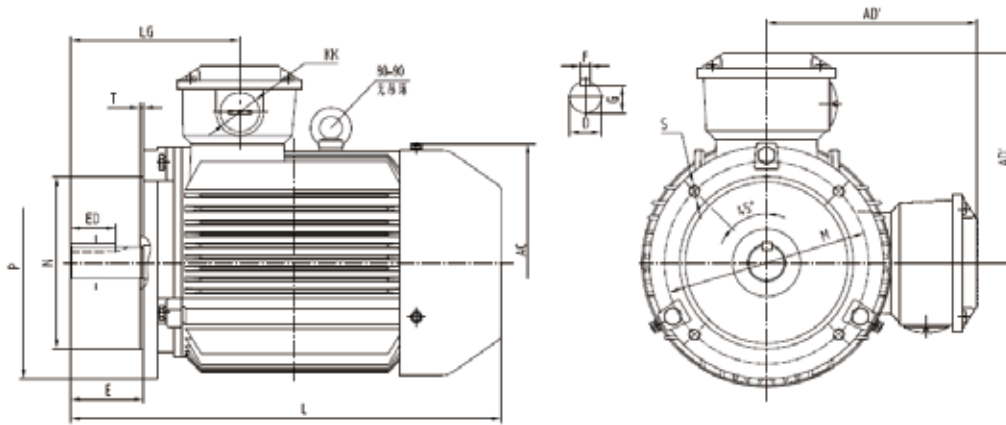
## B14 外形及安装尺寸图

DIMENSIONS MOUNT B14

### 80-160 B14A



### 80-132 B14B



FRAME SIZE	AC	AD'	D	E	ED	F	G	GD	KK	L	LG	B14A					B14B				
												M	N	P	S	T	M	N	P	S	T
80M	175	155	19	40	22	6	15.5	6	M25X1.5	305	112	100	80	120	M6	3	130	110	160	M8	3.5
90S	195	175	24	50	32	8	20	7	M25X1.5	360	132	115	95	140	M8	3	130	110	160	M8	3.5
90L	195	175	24	50	32	8	20	7	M25X1.5	390	132	115	95	140	M8	3	130	110	160	M8	3.5
100L	215	180	28	60	40	8	24	7	M25X1.5	435	153	130	110	160	M8	3.5	165	130	200	M10	3.5
112M	240	190	28	60	40	8	24	7	2XM32X1.5	470	144	130	110	160	M8	3.5	165	130	200	M10	3.5
132S	275	210	38	80	56	10	33	8	2XM32X1.5	510	167	165	130	200	M10	3.5	215	180	250	M12	4
132M	275	210	38	80	56	10	33	8	2XM32X1.5	560	167	165	130	200	M10	3.5	215	180	250	M12	4
160M	330	255	42	110	80	12	37	8	2XM40X1.5	700	268	215	180	250	M12	4	-	-	-	-	-
160L	330	255	42	110	80	12	37	8	2XM40X1.5	700	268	215	180	250	M12	4	-	-	-	-	-

## Y-H 系列船用三相异步电动机

Y-H SERIES MARINE THREE-PHASE INDUCTION MOTOR

**SUNVIM**  
— Electrical Machinery —  
孚日电机



### 详细说明

执行标准: JB/T 5273  
中心高: H80-355mm  
额定输出功率: 0.18kW-315kW  
能效等级: 3 级能效 (GB18613) 和 IE1 (IEC60034-30)  
电压和频率: 380V/50Hz  
防护等级: IP55  
绝缘 / 温升等级: F/B  
安装形式: B3、B5、B35、V1  
环境温度: 0°C到 +45°C, 相对湿度 ≤ 95%  
倾斜度: ±22.5°  
冷却方式: IC411  
性能指标及安装尺寸同 IE1 系列电动机。

### SPECIFICATION

Standard: JB/T 5273  
Frame size: H80-355mm  
Rated power: 0.18kW-315kW  
Degrees of energy efficiency: Grade 3 (GB18613) & IE1 (IEC60034-30)  
Voltage and frequency: 380V/50Hz  
Degrees of protections: IP55  
Degrees of insulation/temperature rise: F/B  
Installation Method: B3/B5/B35/V1  
Ambient temperature: 0°C ~+45°C, Relative humidity should be less than 95%.  
Slope: ±22.5°  
Cooling Method: IC411  
Performance data and dimensions same as IE1 series motor.

### 产品简介

Y-H 系列电动机为全封闭、自扇冷式、船用三相异步电动机。该系列电动机具有噪音低、振动小、起动转矩大及运行可靠等优点,适用于在船舶上驱动各种机械,如泵类、通风机、分离器、液压机械及其他辅助设备。适合在有凝露、盐雾、油雾、霉菌、冲击、振动等恶劣条件下使用。

### PRODUCT INTRODUCTION

Y-H series motor is sealing-in, self-cooling and caged type marine three-phase induction motor. The motors have such characteristics as high efficiency, low noise, slight vibration, high locked-rotor torque and reliable operation. It can be used to drive various machines, including pumps, ventilators, separators, hydraulic machines and other machines. The motor is able to operate on below conditions, such as dewdrops, salt-fog, mould, vibration and shock.



## 产品简介

YVF2 系列变频调速三相异步电动机采用鼠笼型转子结构,运行可靠,维护方便。电机装有独立轴流风机,保证电动机在不同转速下均有较好的冷却效果。YVF2 系列变频调速三相异步电动机与变频装置组成的系统能够实现无级调速,达到节能和控制自动化的目的。配合高精度传感器,可实现高精度闭环控制。YVF2 系列电动机可适用于各种需要调速的传动装置中,广泛应用于轻工、纺织、化工、冶金、起重、机床等行业。

## PRODUCT INTRODUCTION

YVF2 series motors use squirrel-cage construction for reliable operation and easy maintenance. This series motors have a good cooling effect at any speed with separated axial-flow ventilator. This series motors can save energy and can be automatic controlled, driven by variable frequency inverters. If fitted with highly accurate sensors, this series motors can achieve highly accurate operation of closed loop. YVF2 series motors are suitable for various operation systems by which speed-regulation is needed, so they have wide applications in many industries, such as light industry, textile, chemistry, metallurgy, crane, machine tool and so on.

## 详细说明

执行标准:JB/T 7118  
中心高:H90-355mm  
额定输出功率:0.75kW-315kW  
电压和频率:380V/50Hz  
恒转矩运行范围:5-50Hz  
恒功率运行范围:50-100Hz  
防护等级:IP55  
绝缘/温升等级:F/B  
安装形式:B3、B5、B35、V1  
环境温度:-15°C到+40°C,相对湿度≤90%  
海拔≤1000米  
冷却方式:IC416、IC411

## SPECIFICATION

Standard:JB/T 7118  
Frame size:H90-355mm  
Rated power:0.75kW-315kW  
Voltage and frequency:380V/50Hz  
Running zone for constant torque:5-50Hz  
Running zone for constant power:50-100Hz  
Degrees of protections:IP55  
Degrees of insulation/temperature rise:F/B  
Installation Methods:B3/B5/B35/V1  
Ambient temperature:-15°C ~+40°C, Relative humidity should be less than 90%  
Altitude should be lower than 1000 m above sea level  
Cooling Method:IC416, IC411

4 极 - 同步转速 1500r/min    4-pole, 1500 r/min synchronous speed

Motor Type	Rated Power (kW)	Rated Current A	Rated Torque N·m	$\frac{T_{max}}{T_n}$	Rated speed r/min	Weight kg	
						IC416	IC411
YVF2-90S-4	1.1	2.8	7.5	2.8	1395	24	22
YVF2-90L-4	1.5	3.9	10.2	2.8	1410	29	27
YVF2-100L1-4	2.2	5.0	14.7	2.8	1430	36	34
YVF2-100L2-4	3	6.8	20	2.8	1430	40	38
YVF2-112M-4	4	8.8	26.5	2.8	1440	48	44
YVF2-132S-4	5.5	11.5	36.4	2.8	1445	70	61
YVF2-132M-4	7.5	15.5	49.6	2.8	1445	82	73
YVF2-160M-4	11	22.5	72.5	2.8	1450	125	113
YVF2-160L-4	15	29.7	98.8	2.8	1450	145	133
YVF2-180M-4	18.5	36.5	121	2.8	1465	187	167
YVF2-180L-4	22	42.5	143	2.8	1465	201	181
YVF2-200L-4	30	58.5	195	2.8	1470	257	232
YVF2-225S-4	37	72.8	240	2.8	1470	317	287
YVF2-225M-4	45	84.7	291	2.8	1475	352	322
YVF2-250M-4	55	104	356	2.8	1475	411	381
YVF2-280S-4	75	136	484	2.8	1480	545	510
YVF2-280M-4	90	163	581	2.8	1480	635	600
YVF2-315S-4	110	205	708	2.8	1485	961	921
YVF2-315M-4	132	235	849	2.8	1485	1042	1002
YVF2-315L1-4	160	280	1029	2.8	1485	1110	1070
YVF2-315L2-4	200	360	1282	2.8	1490	1221	1181
YVF2-355M-4	250	445	1603	2.8	1490	1765	1725
YVF2-355L-4	315	558	2020	2.8	1490	1995	1955

6 极 - 同步转速 1000r/min 6-pole, 1000 r/min synchronous speed

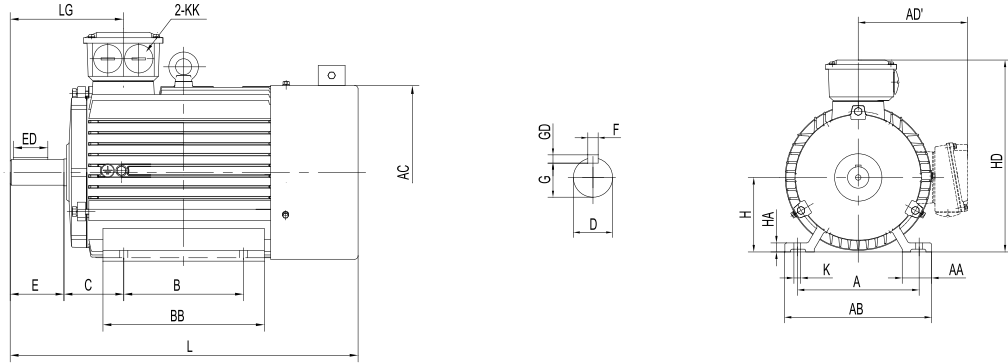
Motor Type	Rated Power (kW)	Rated Current A	Rated Torque N·m	$\frac{T_{max}}{T_n}$	Rated speed r/min	Weight kg	
						IC416	IC411
YVF2-90S-6	0.75	2.3	7.8	2.8	920	25	23
YVF2-90L-6	1.1	3.3	11.4	2.8	920	29	27
YVF2-100L-6	1.5	4.0	15.4	2.8	930	36	34
YVF2-112M-6	2.2	6.0	22.2	2.8	945	43	41
YVF2-132S-6	3	7.4	29.7	2.8	965	60	56
YVF2-132M1-6	4	9.5	39.6	2.8	965	79	70
YVF2-132M2-6	5.5	12.6	54.5	2.8	965	83	74
YVF2-160M-6	7.5	18.2	73.9	2.8	970	120	108
YVF2-160L-6	11	26.5	108	2.8	970	143	131
YVF2-180L-6	15	31.3	147	2.8	975	191	171
YVF2-200L1-6	18.5	38.5	180	2.8	980	246	221
YVF2-200L2-6	22	45.4	214	2.8	980	255	225
YVF2-225M-6	30	58.8	291	2.8	985	322	292
YVF2-250M-6	37	69.2	359	2.8	985	438	408
YVF2-280S-6	45	84.2	436	2.8	985	500	465
YVF2-280M-6	55	102	533	2.8	985	575	540
YVF2-315S-6	75	143	724	2.8	990	901	861
YVF2-315M-6	90	173	869	2.8	990	980	940
YVF2-315L1-6	110	206	1062	2.8	990	1150	1110
YVF2-315L2-6	132	250	1274	2.8	990	1215	1175
YVF2-355M1-6	160	295	1544	2.8	990	1735	1695
YVF2-355M2-6	200	370	1930	2.8	990	1915	1875
YVF2-355L-6	250	456	2413	2.8	990	2025	1985

#### 8 极 - 同步转速 750 r/min    8-pole,750 r/min synchronous speed

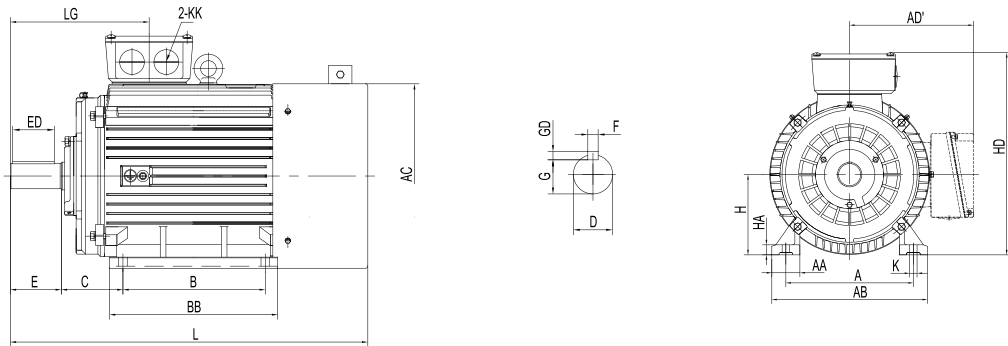
Motor Type	Rated Power (kW)	Rated Current A	Rated Torque N·m	$\frac{T_{max}}{T_n}$	Rated speed r/min	Weight kg	
						IC416	IC411
YVF2-132S-8	2.2	5.7	29.4	2.8	715	70	61
YVF2-132M-8	3	7.5	40.1	2.8	715	74	65
YVF2-160M1-8	4	9.6	53.1	2.8	720	106	94
YVF2-160M2-8	5.5	13.3	73	2.8	720	118	106
YVF2-160L-8	7.5	17	99.5	2.8	720	140	128
YVF2-180L-8	11	30.2	145	2.8	725	190	170
YVF2-200L-8	15	33.8	196	2.8	730	255	230
YVF2-225S-8	18.5	40.5	242	2.8	730	297	267
YVF2-225M-8	22	46.5	286	2.8	735	319	289
YVF2-250M-8	30	62.5	390	2.8	735	395	365
YVF2-280S-8	37	75.6	481	2.8	735	510	475
YVF2-280M-8	45	93.5	585	2.8	735	590	555
YVF2-315S-8	55	112	710	2.8	740	945	905
YVF2-315M-8	75	150	968	2.8	740	1021	981
YVF2-315L1-8	90	180	1162	2.8	740	1141	1071
YVF2-315L2-8	110	215	1420	2.8	740	1200	1160
YVF2-355M1-8	132	250	1693	2.8	745	1845	1805
YVF2-355M2-8	160	300	2052	2.8	745	1935	1895
YVF2-355L-8	200	380	2565	2.8	745	2085	2045

**B3 外形及安装尺寸图**  
DIMENSIONS MOUNT B3

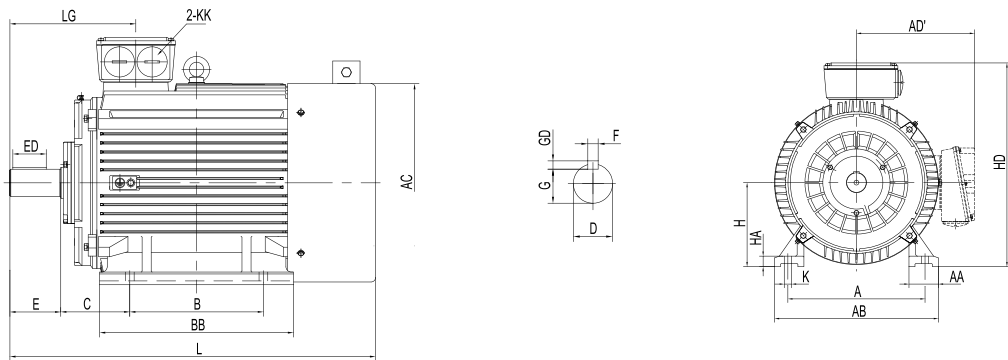
YVF2-90-132



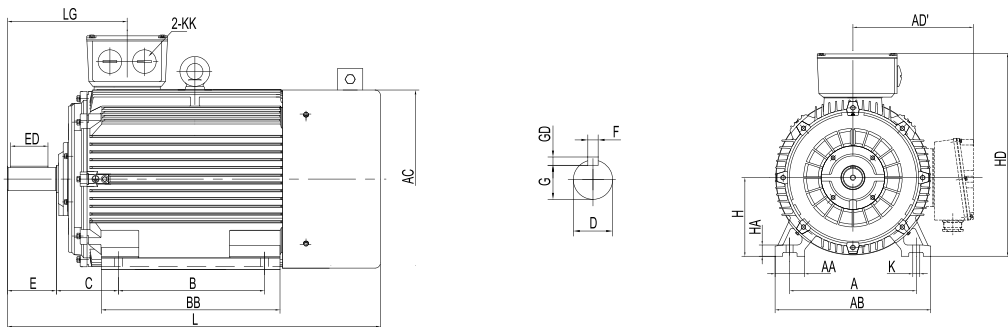
YVF2-160-200



YVF2-225-280



YVF2-315-355





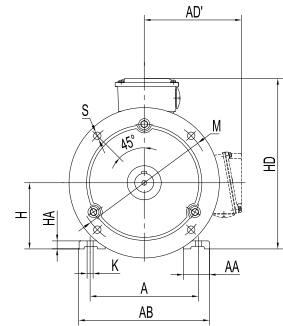
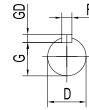
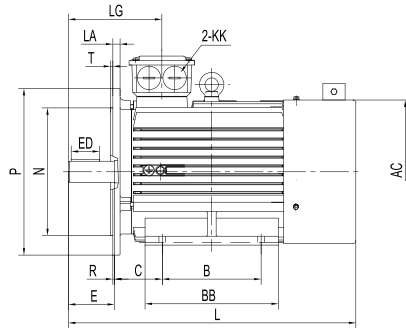
(4-8P)

Frame	A	AA	AB	AC	AD'	B	BB	C	D	E	ED	F	G	GD	H	HA	HD	K	KK	L	LG
90S	140	36	180	190	165	100	135	56	24	50	32	8	20	7	90	12.5	260	10	M25×1.5	390	124
90L	140	36	180	190	165	125	160	56	24	50	32	8	20	7	90	12.5	260	10	M25×1.5	415	124
100L	160	40	200	215	170	140	182	63	28	60	40	8	24	7	100	14	275	12	M25×1.5	455	140
112M	190	45	230	236	195	140	195	70	28	60	40	8	24	7	112	14	310	12	M32×1.5	475	145
132S	216	52	265	275	215	140	205	89	38	80	56	10	33	8	132	16	350	12	M32×1.5	535	169
132M	216	52	265	275	215	178	245	89	38	80	56	10	33	8	132	16	350	12	M32×1.5	575	169
160M	254	65	320	330	265	210	260	108	42	110	80	12	37	8	160	19	425	14.5	M40×1.5	660	270
160L	254	65	320	330	265	254	305	108	42	110	80	12	37	8	160	19	425	14.5	M40×1.5	705	270
180M	279	70	350	380	280	241	285	121	48	110	80	14	42.5	9	180	22	440	14.5	M40×1.5	725	277
180L	279	70	350	380	280	279	325	121	48	110	80	14	42.5	9	180	22	440	14.5	M40×1.5	765	277
200L	318	80	390	420	315	305	355	133	55	110	80	16	49	10	200	25	505	18.5	M50×1.5	830	298
225S	356	75	435	465	335	286	350	149	60	140	100	18	53	11	225	28	550	18.5	M50×1.5	895	340
225M	356	75	435	465	335	311	375	149	60	140	100	18	53	11	225	28	550	18.5	M50×1.5	920	340
250M	406	100	485	520	370	349	450	168	65	140	100	18	58	11	250	33	635	24	M63×1.5	1025	357
280S	457	105	550	570	400	368	490	190	75	140	100	20	67.5	12	280	35	695	24	M63×1.5	1115	350
280M	457	105	550	570	400	419	540	190	75	140	100	20	67.5	12	280	35	695	24	M63×1.5	1165	350
315S	508	125	630	650	495	406	515	216	80	170	130	22	71	14	315	45	810	28	M63×1.5	1300	417
315M	508	125	630	650	495	457	625	216	80	170	130	22	71	14	315	45	810	28	M63×1.5	1410	417
315L	508	125	630	650	495	508	625	216	80	170	130	22	71	14	315	45	810	28	M63×1.5	1410	417
355M	610	125	735	735	640	560	850	254	95	170	140	25	86	14	355	49	1000	28	M63×1.5	1755	450
355L	610	125	735	735	640	630	850	254	95	170	140	25	86	14	355	49	1000	28	M63×1.5	1755	450

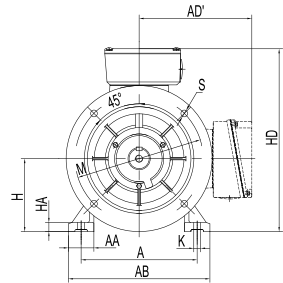
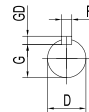
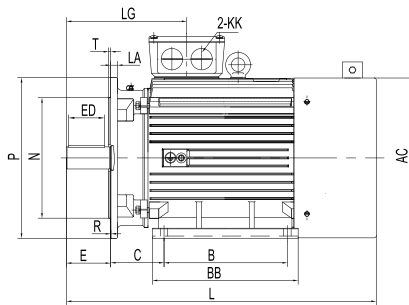
# B35 外形及安装尺寸图

## DIMENSIONS MOUNT B35

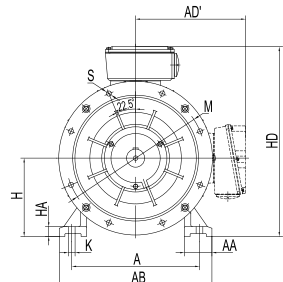
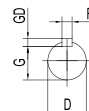
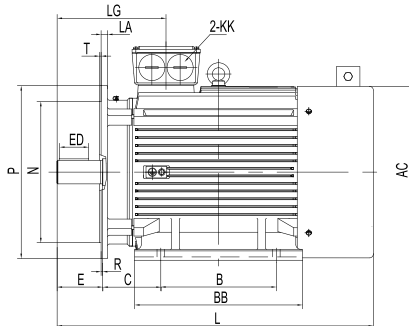
### YVF2-90-132



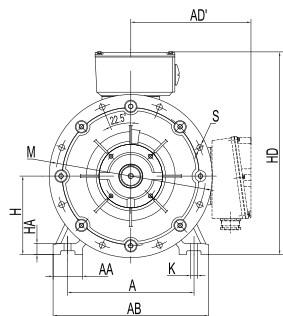
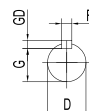
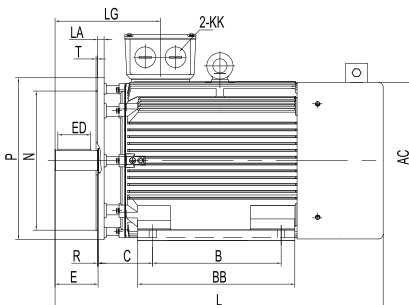
### YVF2-160-200



### YVF2-225-280



### YVF2-315-355



(4-8P)

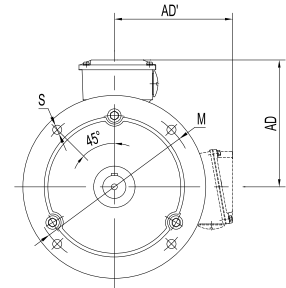
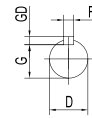
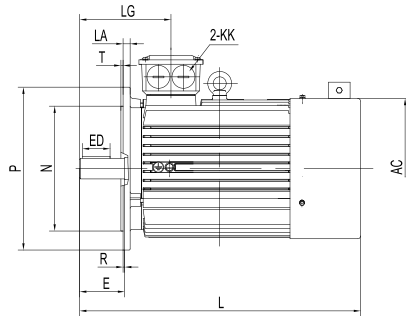
FRAME	A	AA	AB	AC	AD'	B	BB	C	D	E	ED	F	G	GD	H	HA	HD	K	KK	L	LG	LA	M	N	P	S	T
90S	140	36	180	190	165	100	135	56	24	50	32	8	20	7	90	12.5	260	10	M25x1.5	390	124	12	165	130	200	12	3.5
90L	140	36	180	190	165	125	160	56	24	50	32	8	20	7	90	12.5	260	10	M25x1.5	415	124	12	165	130	200	12	3.5
100L	160	40	200	215	170	140	182	63	28	60	40	8	24	7	100	14	275	12	M25x1.5	455	140	14	215	180	250	14.5	4
112M	190	45	230	236	195	140	195	70	28	60	40	8	24	7	112	14	310	12	M32x1.5	475	145	14	215	180	250	14.5	4
132S	216	52	265	275	215	140	205	89	38	80	56	10	33	8	132	16	350	12	M32x1.5	535	169	14	265	230	300	14.5	4
132M	216	52	265	275	215	178	245	89	38	80	56	10	33	8	132	16	350	12	M32x1.5	575	169	14	265	230	300	14.5	4
160M	254	65	320	330	265	210	260	108	42	110	80	12	37	8	160	19	425	14.5	M40x1.5	660	270	15	300	250	350	18.5	5
160L	254	65	320	330	265	254	305	108	42	110	80	12	37	8	160	19	425	14.5	M40x1.5	705	270	15	300	250	350	18.5	5
180M	279	70	350	380	280	241	285	121	48	110	80	14	42.5	9	180	22	440	14.5	M40x1.5	725	277	15	300	250	350	18.5	5
180L	279	70	350	380	280	279	325	121	48	110	80	14	42.5	9	180	22	440	14.5	M40x1.5	765	277	15	300	250	350	18.5	5
200L	318	80	395	420	315	305	355	133	55	110	80	16	49	10	200	25	505	18.5	M50x1.5	830	298	17	350	300	400	18.5	5
225S	356	75	436	465	335	286	350	149	60	140	100	18	53	11	225	28	550	18.5	M50x1.5	895	340	20	400	350	450	18.5	5
225M	356	75	436	465	335	311	375	149	60	140	100	18	53	11	225	28	550	18.5	M50x1.5	920	340	20	400	350	450	18.5	5
250M	406	100	495	520	370	349	450	168	65	140	100	18	58	11	250	33	635	24	M63x1.5	1025	357	20	500	450	550	18.5	5
280S	457	105	550	570	400	368	490	190	75	140	100	20	67.5	12	280	35	695	24	M63x1.5	1115	350	22	500	450	550	18.5	5
280M	457	103	550	570	400	419	540	190	75	140	100	20	67.5	12	280	35	695	24	M63x1.5	1165	350	22	500	450	550	18.5	5
315S	508	125	630	650	495	406	515	216	80	170	130	22	71	14	315	45	810	28	M63x1.5	1300	417	24	600	550	660	24	6
315M	508	125	630	650	495	457	625	216	80	170	130	22	71	14	315	45	810	28	M63x1.5	1410	417	24	600	550	660	24	6
315L	508	125	630	650	495	508	625	216	80	170	130	22	71	14	315	45	810	28	M63x1.5	1410	417	24	600	550	660	24	6
355M	610	125	735	735	640	560	850	254	95	170	140	25	86	14	355	49	1000	28	M63x1.5	1755	450	25	740	680	800	24	6
355L	610	125	735	735	640	630	850	254	95	170	140	25	86	14	355	49	1000	28	M63x1.5	1755	450	25	740	680	800	24	6

Note : R=0

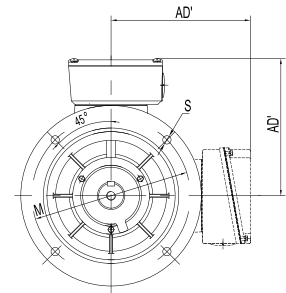
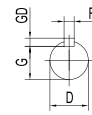
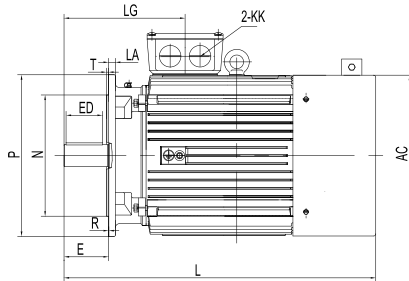
# B5 & V1 外形及安装尺寸图

## DIMENSIONS MOUNT B5 & V1

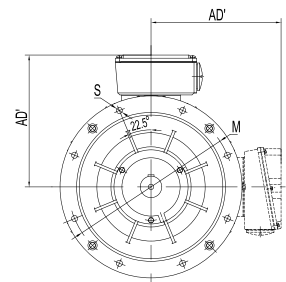
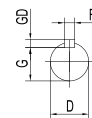
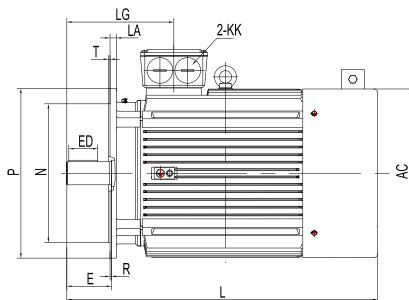
### YVF2-90-132



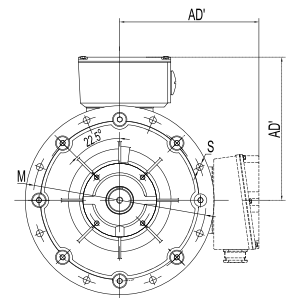
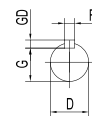
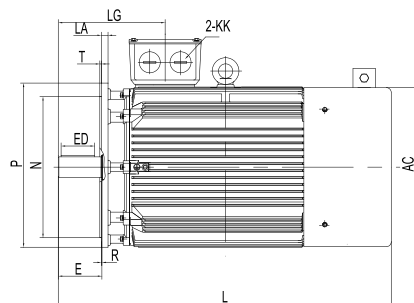
### YVF2-160-200



### YVF2-225-280



### YVF2-315-355



(4-8P)

FRAME	AC	AD'	D	E	ED	F	G	GD	KK	L	LA	LG	M	N	P	S	T
90S	190	165	24	50	32	8	20	7	M25x1.5	390	12	124	165	130	200	12	3.5
90L	190	165	24	50	32	8	20	7	M25x1.5	415	12	124	165	130	200	12	3.5
100L	215	170	28	60	40	8	24	7	M25x1.5	455	14	140	215	180	250	14.5	4
112M	236	195	28	60	40	8	24	7	M32x1.5	475	14	145	215	180	250	14.5	4
132S	275	215	38	80	56	10	33	8	M32x1.5	535	14	169	265	230	300	14.5	4
132M	275	215	38	80	56	10	33	8	M32x1.5	575	14	169	265	230	300	14.5	4
160M	330	265	42	110	80	12	37	8	M40x1.5	660	15	270	300	250	350	18.5	5
160L	330	265	42	110	80	12	37	8	M40x1.5	705	15	270	300	250	350	18.5	5
180M	380	280	48	110	80	14	42.5	9	M40x1.5	725	15	277	300	250	350	18.5	5
180L	380	280	48	110	80	14	42.5	9	M40x1.5	765	15	277	300	250	350	18.5	5
200L	420	315	55	110	80	16	49	10	M50x1.5	830	17	298	350	300	400	18.5	5
225S	465	335	60	140	100	18	53	11	M50x1.5	895	20	340	400	350	450	18.5	5
225M	465	335	60	140	100	18	53	11	M50x1.5	920	20	340	400	350	450	18.5	5
250M	520	370	65	140	100	18	58	11	M63x1.5	1025	20	357	500	450	550	18.5	5
280S	570	400	75	140	100	20	67.5	12	M63x1.5	1115	22	350	500	450	550	18.5	5
280M	570	400	75	140	100	20	67.5	12	M63x1.5	1165	22	350	500	450	550	18.5	5
315S	650	495	80	170	130	22	71	14	M63x1.5	1300	24	417	600	550	660	24	6
315M	650	495	80	170	130	22	71	14	M63x1.5	1410	24	417	600	550	660	24	6
315L	650	495	80	170	130	22	71	14	M63x1.5	1410	24	417	600	550	660	24	6
355M V1	735	640	95	170	140	25	86	14	M63x1.5	-	25	450	740	680	800	24	6
355L V1	735	640	95	170	140	25	86	14	M63x1.5	-	25	450	740	680	800	24	6

Note : R=0

## ■ 风机参数表

IC416 配套风机参数 TECHNICAL DATA TABLE FOR VENTILATOR

机座号 Frame	型号 Type	功率 kW	转速 r/min	全压 Pa	风机风量 m³/h	噪声 LW dB(A)
80	G80A	30	2300	70	330	62
90	G90A	42	2800	80	500	65
100	G100A	52	2800	82	660	67
112	G112A	60	2800	90	900	70
132	G132A	40	1400	50	780	70
160	G160A	120	1400	50	1300	70
180	G180A	120	1400	55	1300	70
200	G200A	370	1400	100	2400	70
225	G225A	370	1400	150	4200	74
250	G250A	370	1400	150	4200	77
280	G280A	450	1250	150	5000	77
315	G315A	450	1250	180	6200	85
355	G355A	650	1350	180	6500	88



## 产品简介

YD 系列电动机是 SM 系列三相异步电动机的派生产品。该系列电机采用改变绕组的接法来改变电机的转速和输出功率，使其与机械设备的负载特性相匹配，是机械系统节约能耗的理想动力之一。该系列电机可广泛应用于机床、矿山、冶金、纺织、印染、化工等行业。

## PRODUCT INTRODUCTION

YD series motor is derived from SM series motor. It can meet the requirements of load character simplify speed-changing systems by changing the connection to obtain different output and speed. It can drive equipment with high efficiency. YD series motor can be widely used in such industry as machine tools, mining, metallurgy, textile, printing and dyeing, chemical industry and agricultural machinery, etc.

## 详细说明

执行标准: JB/T 7127-2010  
中心高: H80-280mm  
额定输出功率: 0.45kW-82kW  
电压和频率: 380V/50Hz  
防护等级: IP55  
绝缘 / 温升等级: F/B  
安装形式: B3、B5、B35、V1  
环境温度: -15°C到 +40°C, 相对湿度 ≤ 90%。  
海拔 ≤ 1000 米  
冷却方式: IC411  
YD 系列安装尺寸同 IE1 系列

## SPECIFICATION

Standard: JB/T 7127-2010  
Frame size: H80-280mm  
Rated power: 0.45kW-82kW  
Voltage and frequency: 380V/50Hz  
Degrees of protections: IP55  
Degrees of insulation/temperature rise: F/B  
Installation Method: B3/B5/B35/V1  
Ambient temperature: -15°C ~ +40°C, Relative humidity should be less than 90%.  
Altitude should be lower than 1000 m above sea level.  
Cooling Method: IC411  
Dimensions YD and IE1 series are the same

## 4/2 极 - 同步转速 1500/3000 r/min 4/2 pole, 1500/3000 synchronous speed

Motor Type	Pole	Rated Power kW	Rated Current A	Rated Eff. $\eta$ %	Power Factor $\cos\phi$	$\frac{I_{st}}{I_n}$	$\frac{T_{st}}{T_n}$	$\frac{T_{max}}{T_n}$	$\frac{T_{min}}{T_n}$	LW dB(A) no load
YD801-4/2	4	0.45	1.4	66.0	0.74	6.5	1.5	1.8	0.8	79
	2	0.55	1.5	65.0	0.85	7	1.7	1.8	0.5	79
YD802-4/2	4	0.55	1.7	68.0	0.74	6.5	1.6	1.8	0.8	79
	2	0.75	2.0	66.0	0.85	7	1.8	1.8	0.5	79
YD90S-4/2	4	0.85	2.3	74.0	0.77	6.5	1.8	1.8	0.8	79
	2	1.1	2.8	71.0	0.85	7	1.9	1.8	0.5	79
YD90L-4/2	4	1.3	3.3	76.0	0.78	6.5	1.8	1.8	0.8	83
	2	1.8	4.4	73.0	0.85	7	2	1.8	0.5	83
YD100L1-4/2	4	2	4.8	78.0	0.81	6.5	1.7	1.8	0.8	87
	2	2.4	5.6	76.0	0.86	7	1.9	1.8	0.5	87
YD100L2-4/2	4	2.4	5.6	79.0	0.83	6.5	1.6	1.8	0.8	91
	2	3	6.7	77.0	0.89	7	1.7	1.8	0.5	91
YD112M-4/2	4	3.3	7.4	82.0	0.83	6.5	1.9	1.8	0.8	91
	2	4	8.6	79.0	0.89	7	2	1.8	0.5	91
YD132S-4/2	4	4.5	9.8	83.0	0.84	6.5	1.7	1.8	0.8	91
	2	5.5	11.9	79.0	0.89	7	1.8	1.8	0.5	91
YD132M-4/2	4	6.5	13.8	84.0	0.85	6.5	1.7	1.8	0.8	91
	2	8	17.1	80.0	0.89	7	1.8	1.8	0.5	91
YD160M-4/2	4	9	18.5	87.0	0.85	6.5	1.6	1.8	0.8	95
	2	11	22.9	82.0	0.89	7	1.8	1.8	0.5	95
YD160L-4/2	4	11	22.3	87.0	0.86	6.5	1.7	1.8	0.8	95
	2	14	28.8	82.0	0.90	7	1.9	1.8	0.5	95
YD180M-4/2	4	15	29.4	89.0	0.87	6.5	1.8	1.8	0.8	95
	2	18.5	36.7	85.0	0.90	7	1.9	1.8	0.5	95
YD180L-4/2	4	18.5	35.9	89.0	0.88	6.5	1.6	1.8	0.8	95
	2	22	42.7	86.0	0.91	7	1.8	1.8	0.5	95
YD200L-4/2	4	26	49.9	89.0	0.89	6.5	1.4	1.8	0.8	98
	2	30	58.3	85.0	0.92	7	1.6	1.8	0.5	98
YD225S-4/2	4	32	60.7	90.0	0.89	6.5	1.4	1.8	0.8	100
	2	37	71.1	86.0	0.92	7	1.6	1.8	0.5	100
YD225M-4/2	4	37	69.4	91.0	0.89	6.5	1.4	1.8	0.8	100
	2	45	86.4	86.0	0.92	7	1.6	1.8	0.5	100
YD250M-4/2	4	45	84.4	91.0	0.89	6.5	1.6	1.8	0.8	100
	2	52	98.7	87.0	0.92	7	1.6	1.8	0.5	100
YD280S-4/2	4	60	111	91.0	0.90	6.5	1.4	1.8	0.8	102
	2	72	135	88.0	0.92	7	1.5	1.8	0.5	102
YD280M-4/2	4	72	134	91.0	0.90	6.5	1.4	1.8	0.8	102
	2	82	152	88.0	0.93	7	1.5	1.8	0.5	102

## 6/4 极 - 同步转速 1000/1500 r/min 6/4 pole, 1000/1500 synchronous speed

Motor Type	Pole	Rated Power kW	Rated Current A	Rated Eff. $\eta$ %	Power Factor $\cos\phi$	$\frac{I_{st}}{I_n}$	$\frac{T_{st}}{T_n}$	$\frac{T_{max}}{T_n}$	$\frac{T_{min}}{T_n}$	LW dB(A) no load
YD90S-6/4	6	0.65	2.3	64.0	0.68	6.0	1.6	1.8	0.8	75
	4	0.85	2.3	70.0	0.79	6.5	1.4	1.8	0.5	75
YD90L-6/4	6	0.85	2.8	66.0	0.70	6.0	1.6	1.8	0.8	75
	4	1.1	3.0	71.0	0.79	6.5	1.5	1.8	0.5	75
YD100L1-6/4	6	1.3	3.8	74.0	0.70	6.0	1.7	1.8	0.8	78
	4	1.8	4.4	77.0	0.80	6.5	1.4	1.8	0.5	78
YD100L2-6/4	6	1.5	4.3	75.0	0.70	6.0	1.6	1.8	0.8	82
	4	2.2	5.4	77.0	0.80	6.5	1.4	1.8	0.5	82
YD112M-6/4	6	2.2	5.7	78.0	0.75	6.0	1.8	1.8	0.8	82
	4	2.8	6.7	77.0	0.82	6.5	1.5	1.8	0.5	82
YD132S-6/4	6	3	7.7	79.0	0.75	6.0	1.8	1.8	0.8	82
	4	4	9.5	78.0	0.82	6.5	1.7	1.8	0.5	82
YD132M-6/4	6	4	9.8	82.0	0.76	6.0	1.6	1.8	0.8	82
	4	5.5	12.3	80.0	0.85	6.5	1.4	1.8	0.5	82
YD160M-6/4	6	6.5	15.1	84.0	0.78	6.0	1.5	1.8	0.8	86
	4	8	17.6	82.0	0.84	6.5	1.5	1.8	0.5	86
YD160L-6/4	6	9	20.6	85.0	0.78	6.0	1.6	1.8	0.8	86
	4	11	23.7	83.0	0.85	6.5	1.7	1.8	0.5	86
YD180M-6/4	6	11	25.9	85.0	0.76	6.0	1.6	1.8	0.8	90
	4	14	29.8	84.0	0.85	6.5	1.7	1.8	0.5	90
YD180L-6/4	6	13	29.4	86.0	0.78	6.0	1.7	1.8	0.8	90
	4	16	33.6	85.0	0.85	6.5	1.7	1.8	0.5	90
YD200L-6/4	6	18.5	41.4	87.0	0.78	6.5	1.6	1.8	0.8	90
	4	22	44.9	86.5	0.86	7.0	1.5	1.8	0.5	90
YD225S-6/4	6	22	44.2	88.0	0.86	6.5	1.8	1.8	0.8	92
	4	28	56.5	86.5	0.87	7.0	1.8	1.8	0.5	92
YD225M-6/4	6	26	52.2	88.0	0.86	6.5	1.8	1.8	0.8	92
	4	32	63.2	85.5	0.90	7.0	1.8	1.8	0.5	92
YD250M-6/4	6	32	62.1	90.0	0.87	6.5	1.5	1.8	0.8	98
	4	42	81.1	86.5	0.91	7.0	1.3	1.8	0.5	98
YD280S-6/4	6	42	81.5	90.0	0.87	6.5	1.5	1.8	0.8	98
	4	55	107	87.0	0.90	7.0	1.3	1.8	0.5	98
YD280M-6/4	6	55	107	90.0	0.87	6.5	1.6	1.8	0.8	98
	4	67	132	87.0	0.89	7.0	1.3	1.8	0.5	98



## 8/4 极 - 同步转速 750/1500 r/min 8/4 pole, 750/1500 synchronous speed

Motor Type	Pole	Rated Power kW	Rated Current A	Rated Eff. $\eta$ %	Power Factor $\cos\phi$	$\frac{I_{st}}{I_n}$	$\frac{T_{st}}{T_n}$	$\frac{T_{max}}{T_n}$	$\frac{T_{min}}{T_n}$	LW dB(A) no load
YD90L-8/4	8	0.45	1.9	58.0	0.63	5.5	1.6	1.8	0.8	75
	4	0.75	1.8	72.0	0.87	6.5	1.4	1.8	0.5	75
YD100L-8/4	8	0.85	3.1	67.0	0.63	5.5	1.6	1.8	0.8	78
	4	1.5	3.5	74.0	0.88	6.5	1.4	1.8	0.5	78
YD112M-8/4	8	1.5	5	72.0	0.63	5.5	1.7	1.8	0.8	82
	4	2.4	5.3	78.0	0.88	6.5	1.7	1.8	0.5	82
YD132S-8/4	8	2.2	7	75.0	0.64	5.5	1.5	1.8	0.8	82
	4	3.3	7.1	80.0	0.88	6.5	1.7	1.8	0.5	82
YD132M-8/4	8	3	9.0	78.0	0.65	5.5	1.5	1.8	0.8	82
	4	4	9.4	82.0	0.89	6.5	1.6	1.8	0.5	82
YD160M-8/4	8	5	13.9	83.0	0.66	5.5	1.5	1.8	0.8	86
	4	7.5	15.2	84.0	0.89	6.5	1.6	1.8	0.5	86
YD160L-8/4	8	7	19	85.0	0.66	5.5	1.5	1.8	0.8	86
	4	11	21.8	86.0	0.89	6.5	1.6	1.8	0.5	86
YD180L-8/4	8	11	26.7	87.0	0.72	6.0	1.5	1.8	0.8	90
	4	17	32.3	88.0	0.91	7.0	1.5	1.8	0.5	90
YD200L1-8/4	8	14	33	87.0	0.74	6.0	1.8	1.8	0.8	90
	4	22	41.3	88.0	0.92	7.0	1.7	1.8	0.5	90
YD200L2-8/4	8	17	40.1	87.0	0.74	6.0	1.5	1.8	0.8	92
	4	26	48.8	88.0	0.92	7.0	1.7	1.8	0.5	92
YD225M-8/4	8	24	53.2	89.0	0.77	6.0	1.5	1.8	0.8	92
	4	34	66.7	88.0	0.88	7.0	1.5	1.8	0.5	92
YD250M-8/4	8	30	64.9	90.0	0.78	6.0	1.6	1.8	0.8	94
	4	42	78.8	89.0	0.91	7.0	1.7	1.8	0.5	94
YD280S-8/4	8	40	84	91.0	0.80	6.0	1.6	1.8	0.8	98
	4	55	102	90.0	0.91	7.0	1.7	1.8	0.5	98
YD280M-8/4	8	47	97	91.0	0.81	6.0	1.6	1.8	0.8	98
	4	67	123	90.0	0.92	7.0	1.7	1.8	0.5	98

## 8/6 极 - 同步转速 750/1000 r/min 8/6 pole, 750/1000 synchronous speed

Motor Type	Pole	Rated Power kW	Rated Current A	Rated Eff. $\eta$ %	Power Factor $\cos\phi$	$\frac{I_{st}}{I_n}$	$\frac{T_{st}}{T_n}$	$\frac{T_{max}}{T_n}$	$\frac{T_{min}}{T_n}$	LW dB(A) no load
YD90S-8/6	8	0.35	1.6	56.0	0.60	5	1.8	1.8	0.8	73
	6	0.45	1.4	70.0	0.72	6	2.0	1.8	0.5	73
YD90L-8/6	8	0.45	1.9	59.0	0.60	5	1.7	1.8	0.8	73
	6	0.65	1.9	71.0	0.73	6	1.8	1.8	0.5	73
YD100L-8/6	8	0.75	2.9	65.0	0.60	5	1.8	1.8	0.8	73
	6	1.1	3.1	75.0	0.73	6	1.9	1.8	0.5	73
YD112M-8/6	8	1.3	4.5	72.0	0.61	5	1.7	1.8	0.8	75
	6	1.8	4.8	78.0	0.73	6	1.9	1.8	0.5	75
YD132S-8/6	8	1.8	6	76.0	0.60	5	1.6	1.8	0.8	79
	6	2.4	6.3	80.0	0.72	6	1.9	1.8	0.5	79
YD132M-8/6	8	2.6	8.2	78.0	0.62	5	1.9	1.8	0.8	79
	6	3.7	9.4	82.0	0.73	6	1.9	1.8	0.5	79
YD160M-8/6	8	4.5	13.3	83.0	0.62	5	1.6	1.8	0.8	83
	6	6	14.7	85.0	0.73	6	1.9	1.8	0.5	83
YD160L-8/6	8	6	17.2	84.0	0.63	5	1.6	1.8	0.8	83
	6	8	19.4	86.0	0.73	6	1.9	1.8	0.5	83
YD180M-8/6	8	7.5	21.9	84.0	0.62	5	1.9	1.8	0.8	83
	6	10	24.2	86.0	0.73	6	1.9	1.8	0.5	83
YD180L-8/6	8	9	24.8	85.0	0.65	5	1.8	1.8	0.8	86
	6	12	28.3	86.0	0.75	6	1.8	1.8	0.5	86
YD200L1-8/6	8	12	32.6	86.0	0.65	5	1.8	1.8	0.8	88
	6	17	39.1	87.0	0.76	6	2.0	1.8	0.5	88
YD200L2-8/6	8	15	40.3	87.0	0.65	5	1.8	1.8	0.8	88
	6	20	45.4	88.0	0.76	6	2.0	1.8	0.5	88

## YEJ 系列电磁制动三相异步电动机

YEJ SERIES MAGNETIC BRAKING THREE-PHASE INDUCTION MOTOR

**SUNVIM**  
— Electrical Machinery —  
孚日电机



### 详细说明

执行标准: JB/T 6456-2010  
中心高: H80-250mm  
额定输出功率: 0.18kW-55kW  
能效等级: 三级能效 (GB18613) 和 IE1 (IEC60034)  
电压和频率: 380V/50Hz  
防护等级: 电动机 IP55, 制动器 IP23  
绝缘 / 温升等级: F/B  
安装形式: B3、B5、B35、V1  
环境温度: -15°C 到 +40°C, 相对湿度 ≤ 90%。  
海拔 ≤ 1000 米  
冷却方式: IC411  
制动方式: 失电制动  
YEJ 系列性能指标同 IE1 系列

### SPECIFICATION

Standard: JB/T 6456-2010  
Frame size: H80-250mm  
Rated power: 0.18kW-55kW  
Degrees of energy efficiency: Grade 3 (GB18613) & IE1 (IEC60034-30)  
Voltage and frequency: 380V/ 50Hz  
Degrees of protections: IP55 (motor), IP23 (brake)  
Degrees of insulation/temperature rise: F/B  
Installation Method: B3/B5/B35/V1  
Ambient temperature: -15°C ~+40°C, Relative humidity should be less than 90%.  
Altitude should be lower than 1000 m above sea level.  
Cooling Method: IC411  
Brake type: brake after power loss  
Performance data same IE1 series motor

### 产品简介

YEJ 系列电动机是 IE1 系列电动机的派生产品, 该系列电机具有制动迅速, 结构简单, 性能稳定等特点。适用于各种要求快速停止、准确定位、往复运转、防止滑行的各种机械设备, 如金属加工机床、包装机械、木工机械、食品机械、化工机械、纺织机械、建筑机械以及齿轮减速机等。

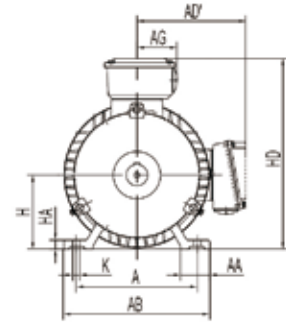
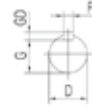
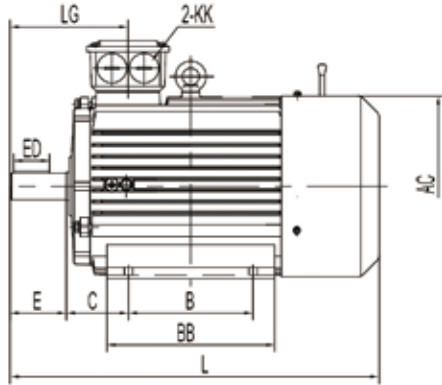
### PRODUCT INTRODUCTION

YEJ series motor is derived from IE1 series motor with fast braking, simple structure and high stability. It is Widely used on mechanical equipment and driving machines where rapidly and accurate braking is demanded, such as lathe machine, packing machine, wood machine, food processing equipment, chemical engineering, textile machine, architectural machine, gear reducer and so on.

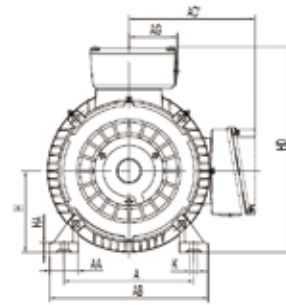
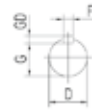
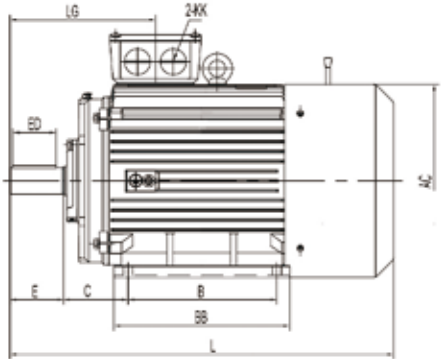
## B3 外形及安装尺寸图

DIMENSIONS MOUNT B3

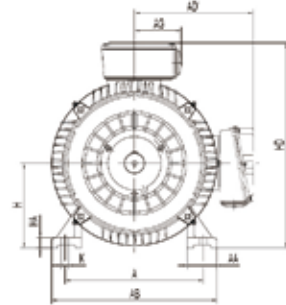
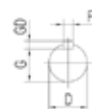
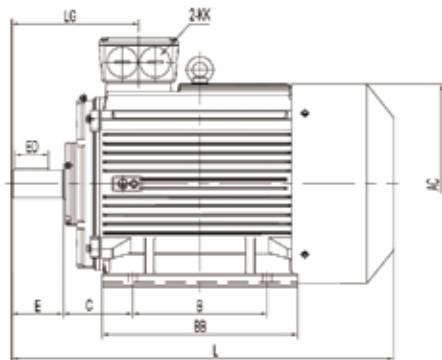
YEJ80-132



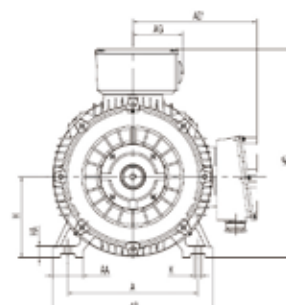
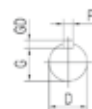
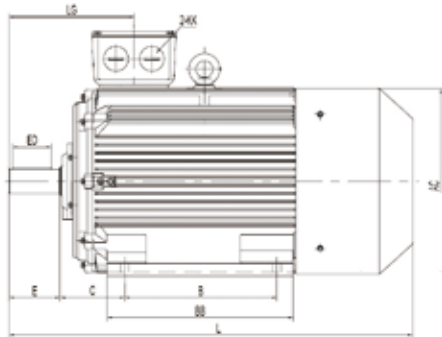
YEJ160-200



YEJ225-280



YEJ315-355



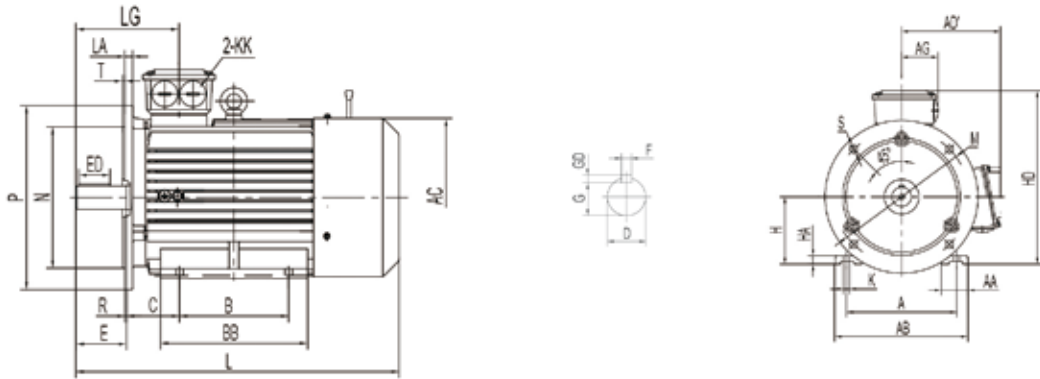
Frame	A	AA	AB	AC	AD'	B	BB	C	D	E	ED	F	G	GD	H	HA	HD	K	KK	L	LG
80M	125	34	160	175	150	100	130	50	19	40	22	6	15.5	6	80	10	230	10	M25×1.5	350	106
90S	140	36	180	190	165	100	135	56	24	50	32	8	20	7	90	12.5	260	10	M25×1.5	390	124
90L	140	36	180	190	165	125	160	56	24	50	32	8	20	7	90	12.5	260	10	M25×1.5	415	124
100L	160	40	200	215	170	140	182	63	28	60	40	8	24	7	100	14	275	12	M25×1.5	445	140
112M	190	45	230	236	195	140	195	70	28	60	40	8	24	7	112	14	310	12	M32×1.5	475	145
132S	216	52	265	275	215	140	205	89	38	80	56	10	33	8	132	16	350	12	M32×1.5	550	169
132M	216	52	265	275	215	178	245	89	38	80	56	10	33	8	132	16	350	12	M32×1.5	590	169
160M	254	65	320	330	265	210	260	108	42	110	80	12	37	8	160	19	425	14.5	M40×1.5	715	270
160L	254	65	320	330	265	254	305	108	42	110	80	12	37	8	160	19	425	14.5	M40×1.5	760	270
180M	279	70	350	380	280	241	285	121	48	110	80	14	42.5	9	180	22	440	14.5	M40×1.5	790	277
180L	279	70	350	380	280	279	325	121	48	110	80	14	42.5	9	180	22	440	14.5	M40×1.5	830	277
200L	318	80	390	420	315	305	355	133	55	110	80	16	49	10	200	25	505	18.5	M50×1.5	895	298
225S(4-8P)	356	75	435	465	335	286	350	149	60	140	100	18	53	11	225	28	550	18.5	M50×1.5	970	340
225M(2P)	356	75	435	465	335	311	375	149	55	110	80	16	49	10	225	28	550	18.5	M50×1.5	965	310
225M(4-8P)	356	75	435	465	335	311	375	149	60	140	100	18	53	11	225	28	550	18.5	M50×1.5	995	340
250M(2P)	406	100	485	520	375	349	450	168	60	140	100	18	53	11	250	33	635	24	M63×1.5	1075	357
250M(4-8P)	406	100	485	520	375	349	450	168	65	140	100	18	58	11	250	33	635	24	M63×1.5	1075	357
280S(2P)	457	105	550	570	405	368	490	190	65	140	100	18	58	11	280	35	695	24	M63×1.5	1135	350
280S(4-8P)	457	105	550	570	405	368	490	190	75	140	100	20	67.5	12	280	35	695	24	M63×1.5	1155	350
280M(2P)	457	105	550	570	405	419	540	190	65	140	100	18	58	11	280	35	695	24	M63×1.5	1190	350
280M(4-8P)	457	105	550	570	405	419	540	190	75	140	100	20	67.5	12	280	35	695	24	M63×1.5	1210	350
315S(2P)	508	125	630	650	500	406	515	216	65	140	100	18	58	11	315	45	810	28	M63×1.5	1335	387
315M(2P)	508	125	630	650	500	457	625	216	65	140	100	18	58	11	315	45	810	28	M63×1.5	1445	387
315L(2P)	508	125	630	650	500	508	625	216	65	140	100	18	58	11	315	45	810	28	M63×1.5	1445	387
315S(4-8P)	508	125	630	650	500	406	515	216	80	170	130	22	71	14	315	45	810	28	M63×1.5	1365	417
315M(4-8P)	508	125	630	650	500	457	625	216	80	170	130	22	71	14	315	45	810	28	M63×1.5	1475	417
315L(4-8P)	508	120	630	650	500	508	625	216	80	170	130	22	71	14	315	45	810	28	M63×1.5	1475	417
355M(2P)	610	125	735	735	645	560	850	254	75	140	110	20	67.5	12	355	49	1000	28	M63×1.5	1850	420
355L(2P)	610	125	735	735	645	630	850	254	75	140	110	20	67.5	12	355	49	1000	28	M63×1.5	1850	420
355M(4-8P)	610	125	735	735	645	560	850	254	95	170	140	25	86	14	355	49	1000	28	M63×1.5	1880	450
355L(4-8P)	610	125	735	735	645	630	850	254	95	170	140	25	86	14	355	49	1000	28	M63×1.5	1880	450

Note : R=0

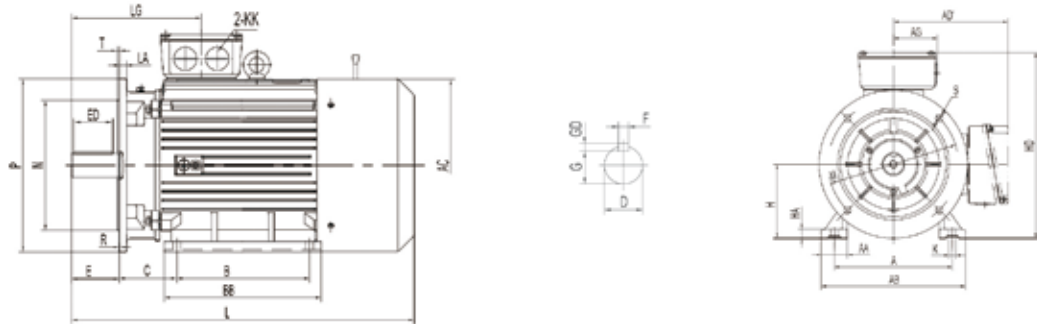
**B35 外形及安装尺寸图**

DIMENSIONS MOUNT B35

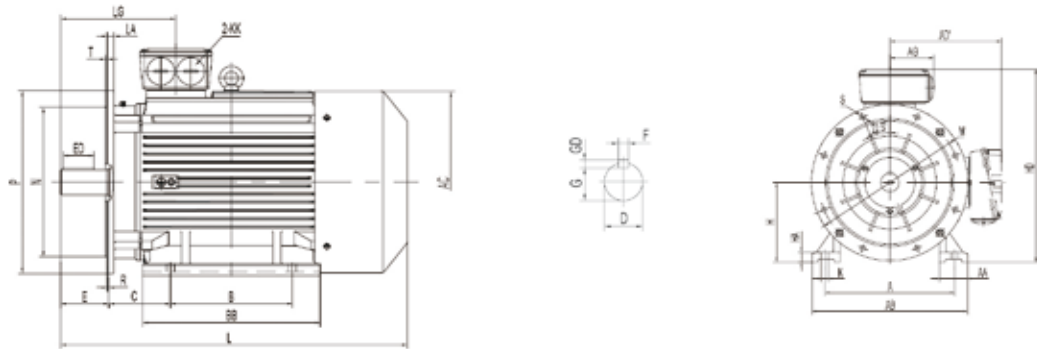
**YEJ80-132**



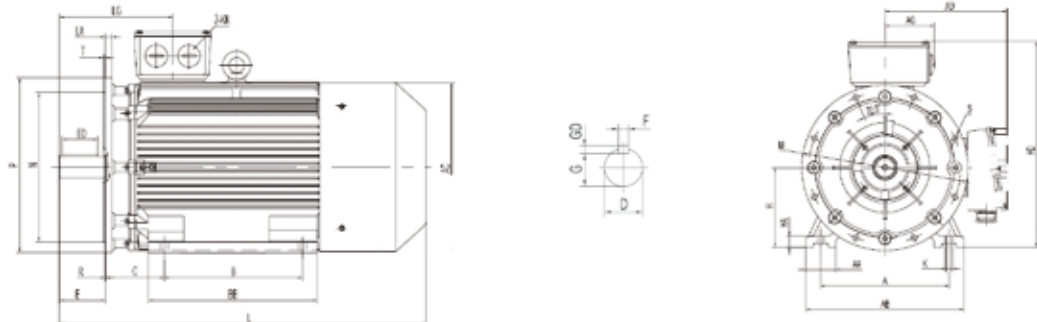
**YEJ160-200**



**YEJ225-280**



**YEJ315-355**



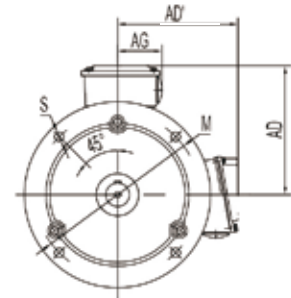
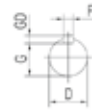
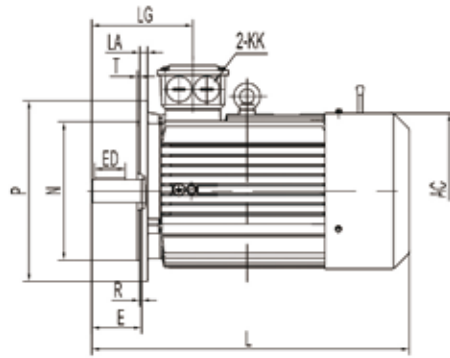
Frame	A	AA	AB	AC	AD'	B	BB	C	D	E	ED	F	G	GD	H	HA	HD	K	KK	L	LG	LA	M	N	P	S	T
80M	125	34	160	175	150	100	130	50	19	40	22	6	15.5	6	80	10	230	10	M25x1.5	350	106	12	165	130	200	12	3.5
90S	140	36	180	190	165	100	135	56	24	50	32	8	20	7	90	12.5	260	10	M25x1.5	390	124	12	165	130	200	12	3.5
90L	140	36	180	190	165	125	160	56	24	50	32	8	20	7	90	12.5	260	10	M25x1.5	415	124	12	165	130	200	12	3.5
100L	160	40	200	215	170	140	182	63	28	60	40	8	24	7	100	14	275	12	M25x1.5	445	140	14	215	180	250	14.5	4
112M	190	45	230	236	195	140	195	70	28	60	40	8	24	7	112	14	310	12	M32x1.5	475	145	14	215	180	250	14.5	4
132S	216	52	265	275	215	140	205	89	38	80	56	10	33	8	132	16	350	12	M32x1.5	550	169	14	265	230	300	14.5	4
132M	216	52	265	275	215	178	245	89	38	80	56	10	33	8	132	16	350	12	M32x1.5	590	169	14	265	230	300	14.5	4
160M	254	65	320	330	265	210	260	108	42	110	80	12	37	8	160	19	425	14.5	M40x1.5	715	270	15	300	250	350	18.5	5
160L	254	65	320	330	265	254	305	108	42	110	80	12	37	8	160	19	425	14.5	M40x1.5	760	270	15	300	250	350	18.5	5
180M	279	70	350	380	280	241	285	121	48	110	80	14	42.5	9	180	22	440	14.5	M40x1.5	790	277	15	300	250	350	18.5	5
180L	279	70	350	380	280	279	325	121	48	110	80	14	42.5	9	180	22	440	14.5	M40x1.5	830	277	15	300	250	350	18.5	5
200L	318	80	395	420	315	305	355	133	55	110	80	16	49	10	200	25	505	18.5	M50x1.5	895	298	17	350	300	400	18.5	5
225S(4-8P)	356	75	436	465	335	286	350	149	60	140	100	18	53	11	225	28	550	18.5	M50x1.5	970	340	20	400	350	450	18.5	5
225M(2P)	356	75	436	465	335	311	375	149	55	110	80	16	49	10	225	28	550	18.5	M50x1.5	965	310	20	400	350	450	18.5	5
225M(4-8P)	356	75	436	465	335	311	375	149	60	140	100	18	53	11	225	28	550	18.5	M50x1.5	995	340	20	400	350	450	18.5	5
250M(2P)	406	100	495	520	375	349	450	168	60	140	100	18	53	11	250	33	635	24	M63x1.5	1075	357	20	500	450	550	18.5	5
250M(4-8P)	406	100	495	520	375	349	450	168	65	140	100	18	58	11	250	33	635	24	M63x1.5	1075	357	20	500	450	550	18.5	5
280S(2P)	457	105	550	570	405	368	490	190	65	140	100	18	58	11	280	35	695	24	M63x1.5	1135	350	22	500	450	550	18.5	5
280S(4-8P)	457	105	550	570	405	368	490	190	75	140	100	20	67.5	12	280	35	695	24	M63x1.5	1155	350	22	500	450	550	18.5	5
280M(2P)	457	105	550	570	405	419	540	190	65	140	100	18	58	11	280	35	695	24	M63x1.5	1190	350	22	500	450	550	18.5	5
280M(4-8P)	457	105	550	570	405	419	540	190	75	140	100	20	67.5	12	280	35	695	24	M63x1.5	1210	350	22	500	450	550	18.5	5
315S(2P)	508	125	630	650	500	406	515	216	65	140	100	18	58	11	315	45	810	28	M63x1.5	1335	387	24	600	550	660	24	6
315M(2P)	508	125	630	650	500	457	625	216	65	140	100	18	58	11	315	45	810	28	M63x1.5	1445	387	24	600	550	660	24	6
315L(2P)	508	125	630	650	500	508	625	216	65	140	100	18	58	11	315	45	810	28	M63x1.5	1445	387	24	600	550	660	24	6
315S(4-8P)	508	125	630	650	500	406	515	216	80	170	130	22	71	14	315	45	810	28	M63x1.5	1365	417	24	600	550	660	24	6
315M(4-8P)	508	125	630	650	500	457	625	216	80	170	130	22	71	14	315	45	810	28	M63x1.5	1475	417	24	600	550	660	24	6
315L(4-8P)	508	125	630	650	500	508	625	216	80	170	130	22	71	14	315	45	810	28	M63x1.5	1475	417	24	600	550	660	24	6
355M(2P)	610	125	735	735	645	560	850	254	75	140	110	20	67.5	12	355	49	1000	28	M63x1.5	1850	420	25	740	680	800	24	6
355L(2P)	610	125	735	735	645	630	850	254	75	140	110	20	67.5	12	355	49	1000	28	M63x1.5	1850	420	25	740	680	800	24	6
355M(4-8P)	610	125	735	735	645	560	850	254	95	170	140	25	86	14	355	49	1000	28	M63x1.5	1880	450	25	740	680	800	24	6
355L(4-8P)	610	125	735	735	645	630	850	254	95	170	140	25	86	14	355	49	1000	28	M63x1.5	1880	450	25	740	680	800	24	6

Note : R=0

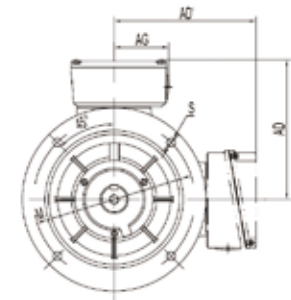
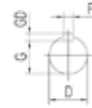
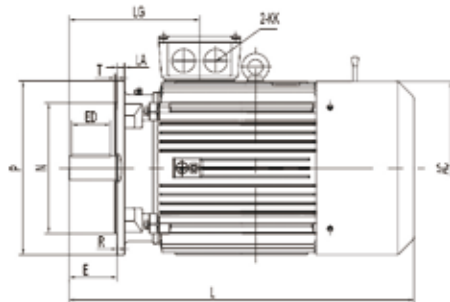
**B5 & V1 外形及安装尺寸图**

DIMENSIONS MOUNT B5 & V1

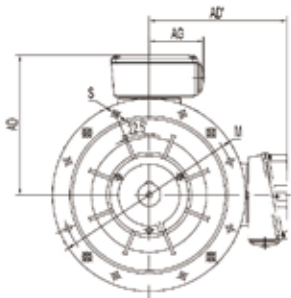
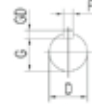
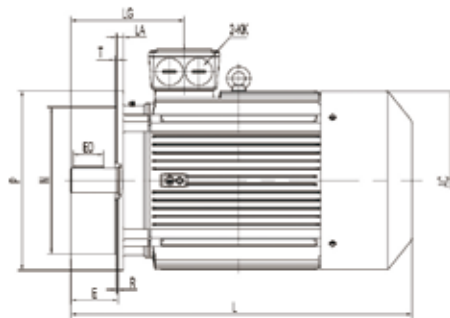
**YEJ80-132**



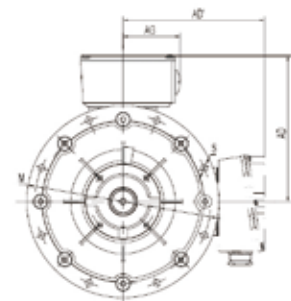
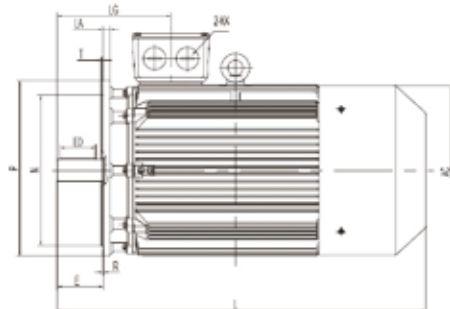
**YEJ160-200**



**YEJ225-280**



**YEJ315-355**





FRAME	AC	AD'	D	E	ED	F	G	GD	KK	L	LM	LA	LG	M	N	P	S	T
80M	175	150	19	40	22	6	15.5	6	M25x1.5	350	390	12	106	165	130	200	12	3.5
90S	190	165	24	50	32	8	20	7	M25x1.5	390	430	12	124	165	130	200	12	3.5
90L	190	165	24	50	32	8	20	7	M25x1.5	415	455	12	124	165	130	200	12	3.5
100L	215	170	28	60	40	8	24	7	M25x1.5	445	495	14	140	215	180	250	14.5	4
112M	236	195	28	60	40	8	24	7	M32x1.5	475	525	14	145	215	180	250	14.5	4
132S	275	215	38	80	56	10	33	8	M32x1.5	550	600	14	169	265	230	300	14.5	4
132M	275	215	38	80	56	10	33	8	M32x1.5	590	640	14	169	265	230	300	14.5	4
160M	330	265	42	110	80	12	37	8	M40x1.5	715	770	15	270	300	250	350	18.5	5
160L	330	265	42	110	80	12	37	8	M40x1.5	760	815	15	270	300	250	350	18.5	5
180M	380	280	48	110	80	14	42.5	9	M40x1.5	790	860	15	277	300	250	350	18.5	5
180L	380	280	48	110	80	14	42.5	9	M40x1.5	830	900	15	277	300	250	350	18.5	5
200L	420	315	55	110	80	16	49	10	M50x1.5	895	965	17	300	350	300	400	18.5	5
225S(4-8P)	465	335	60	140	100	18	53	11	M50x1.5	970	1040	20	340	400	350	450	18.5	5
225M(2P)	465	335	55	110	80	16	49	10	M50x1.5	965	1035	20	310	400	350	450	18.5	5
225M(4-8P)	465	335	60	140	100	18	53	11	M50x1.5	995	1065	20	340	400	350	450	18.5	5
250M(2P)	520	375	60	140	100	18	53	11	M63x1.5	1075	1155	20	357	500	450	550	18.5	5
250M(4-8P)	520	375	65	140	100	18	58	11	M63x1.5	1075	1155	20	357	500	450	550	18.5	5
280S(2P)	570	405	65	140	100	18	58	11	M63x1.5	1135	1215	22	350	500	450	550	18.5	5
280S(4-8P)	570	405	75	140	100	20	67.5	12	M63x1.5	1155	1235	22	350	500	450	550	18.5	5
280M(2P)	570	405	65	140	100	18	58	11	M63x1.5	1190	1270	22	350	500	450	550	18.5	5
280M(4-8P)	570	405	75	140	100	20	67.5	12	M63x1.5	1210	1290	22	350	500	450	550	18.5	5
315S(2P)	650	500	65	140	100	18	58	11	M63x1.5	_	1435	24	387	600	550	660	24	6
315M(2P)	650	500	65	140	100	18	58	11	M63x1.5	_	1545	24	387	600	550	660	24	6
315L(2P)	650	500	65	140	100	18	58	11	M63x1.5	_	1545	24	387	600	550	660	24	6
315S(4-8P)	650	500	80	170	130	22	71	14	M63x1.5	_	1465	24	417	600	550	660	24	6
315M(4-8P)	650	500	80	170	130	22	71	14	M63x1.5	_	1575	24	417	600	550	660	24	6
315L(4-8P)	650	500	80	170	130	22	71	14	M63x1.5	_	1575	24	417	600	550	660	24	6
355M(2P)V1	735	645	75	140	110	20	67.5	12	M63x1.5	_	1950	25	420	740	680	800	24	6
355L(2P)V1	735	645	75	140	110	20	67.5	12	M63x1.5	_	1950	25	420	740	680	800	24	6
355M(4-8P)V1	735	645	95	170	140	25	86	14	M63x1.5	_	1980	25	450	740	680	800	24	6
355L(4-8P)V1	735	645	95	170	140	25	86	14	M63x1.5	_	1980	25	450	740	680	800	24	6

Note : R=0

## 制动器性能参数

### PERFORMANCE PARAMETERS

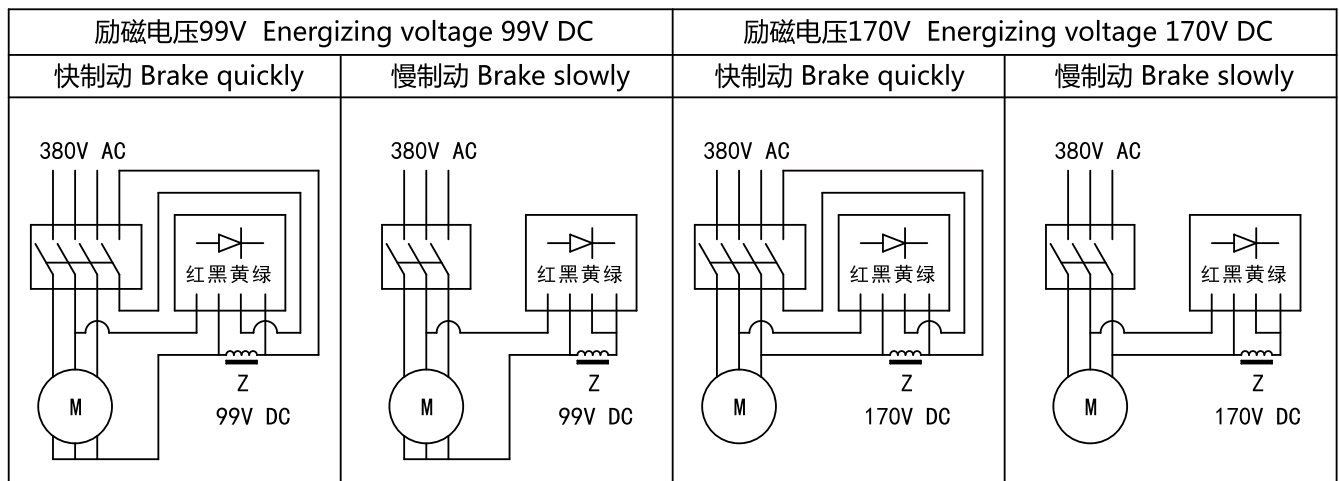
机座号 Frame No.	制动力矩 Braking torque Nm	制动功率 Braking power W	空载制动时间 No-load brake lag time s	励磁电压 Energizing voltage V	工作气隙 Air gap mm
80	7.5	40	0.2	99	0.3
90	15	50	0.2	99	0.3
100	30	60	0.2	99	0.4
112	40	80	0.25	170	0.4
132	80	110	0.25	170	0.5
160	150	130	0.35	170	0.5
180	200	150	0.35	170	0.6
200	300	150	0.45	170	0.6
225	450	200	0.45	170	0.6
250	600	200	0.7	170	0.8

注：空载制动时间为直流侧切断制动器电源的制动时间。

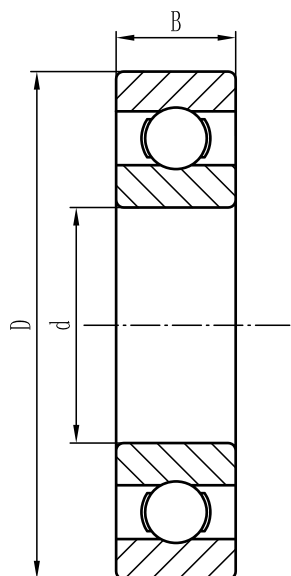
Note: Brake lag time of the DC power supply cut off is no-load brake lag time.

## 制动器接线图

### CONNECTION



## ■ 轴承 BEARING



机座号 Frame	轴伸端 DE	非轴伸端 NDE	d	D	B
80	6205 ZZ	6205 ZZ	25	52	15
6204 ZZ	6204 ZZ	20	47	14	16
90	6205 ZZ	6205 ZZ	25	52	15
100	6206 ZZ	6206 ZZ	30	62	16
112	6306 ZZ	6306 ZZ	30	72	19
132	6308 ZZ	6308 ZZ	40	90	23
160	6309	6309	45	100	25
180	6311	6311	55	120	29
200	6312	6312	60	130	31
225	6313	6313	65	140	33
250 ( Horizontal )	6314	6314	70	150	35
250(Vertical)	7314	6314	70	150	35
280-2P ( Horizontal )	6314	6314	70	150	35
280-2P(Vertical)	7314	6314	70	150	35
280-4-8P ( Horizontal )	6317	6317	85	180	41
280-4-8P(Vertical)	7317	6317	85	180	41
315-2P ( Horizontal )	6316	6316	80	170	39
315-2P(Vertical)	7316	6316	80	170	39
315-4-10P ( Horizontal )	6319	6319	95	200	45
315-4-10P(Vertical)	7319	6319	95	200	45
355-2P ( Horizontal )	6319	6319	95	200	45
355-2P(Vertical)	7319	6319	95	200	45
355-4-10P ( Horizontal )	6322	6322	110	240	50
355-4-10P(Vertical)	6322	7322	110	240	50
355L3-4P,L2-6P ( Horizontal )	NU324	6324	120	260	55
355L3-4P,L2-6P(Vertical)	NU324	7324	120	260	55

## ■ 轴承型号及润滑周期一览表 BEARING TYPE AND LUBRICATION INTERVAL TABLE

说明：除 H80~132 电动机使用封闭轴承不用再加润滑脂外，H160 以上电动机均设有轴承润滑脂注入及排除装置。未标明的立式电机的润滑周期为上述数值的一半。润滑周期基于轴承温度 80°C、环境温度 +25°C。环境温度变化会影响到轴承温度。轴承温度升高 15°C 时应将润滑周期减半；当轴承温度降低 15°C 时，可将润滑周期增加一倍。标准电机使用长城 HTHS 润滑脂。为避免不同润滑脂不相容造成轴承损坏，请勿混用其他品牌的其他型号的润滑脂

Notes: Motor H80~132 with sealed bearings need not to grease, motors whose frames dimensions are greater than H160 are equipped with grease filling and draining devices.

For vertical motor, if unspecified, the interval is half of the above value. The above value is based on bearing temperature of 80 °C and environment temperature of +25 °C . The environment temperature changes will affect the bearing temperature. The interval shall be half every 15°C increased of the bearing temperature, while double the interval every 15°C reduced of bearing temperature.

The standard motor use HTHS grease. Please do not mix other brand and type of grease to avoid damage to the bearing which can be caused by incompatible of different grease.

机座号 Frame size	机座号 Frame size		润滑油量 Grease amount g	润滑周期 (小时) Interval(hour)		
	轴伸端 DE	非轴伸端 NDE		<3600rpm	<1800rpm	<1000rpm
160	6309	6309	30	3000	4000	5000
180	6311	6311	50	3000	4000	5000
200	6312	6312	60	3000	4000	5000
225	6313	6313	80	3000	4000	5000
250	6314	6314	80	2000	4000	5000
280-2P	6314	6314	80	2000	-	-
280-4-8P	6317	6317	120	-	4000	5000
315-2P	6316	6316	100	2000	-	-
315-4-10P	6319	6319	120	-	2000	4000
355-2P	6319	6319	120	1000	-	-
355-4-10P	6322	6322	220	-	2000	4000
355L3-4P,L2-6P	Nu324	6324	240	-	2000	4000



## 产品简介

Y3 系列低压大功率电动机是采用新材料、新工艺和新标准而制造的全封闭、自扇冷鼠笼三相异步电动机。该系列电机结构合理、外形美观，具有高效率、低噪音、低振动等优点，可广泛应用于风机、水泵、机床、压缩机、运输机械等驱动各种通用机械设备，也可用在石油、化工、钢铁、矿山等其他环境比较恶劣的场所使用。

## PRODUCT INTRODUCTION

Y3 series motors are totally enclosed fan cooled squirrel cage three-phase motors, adopting with new materials new processing methods and new safety design technology. This series motor can be widely use in various kinds of general use machineries like fans, pumps, machine tools, compressors, transportation and so on, and can also be used in the hazardous areas with oil and chemical, steel paints, mining industry.

## 详细说明

执行标准：JB/T 10868-2008  
中心高：H355-450mm  
额定输出功率：200kW-900kW  
能效等级：三级能效 (GB18613) 和 IE1 (IEC60034-30)  
电压和频率：380V/50Hz  
防护等级：IP55  
绝缘 / 温升等级：F/B  
安装形式：B3、B5、B35、V1  
环境温度：-15°C到 +40°C，相对湿度≤ 90%  
冷却方式：IC411  
海拔：≤ 1000 米

## SPECIFICATION

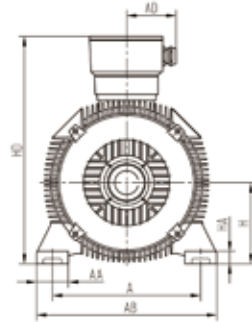
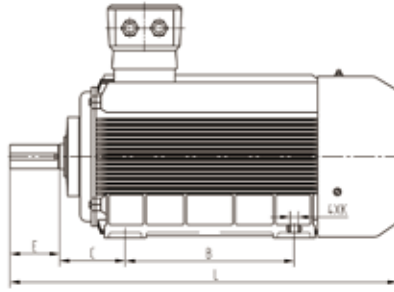
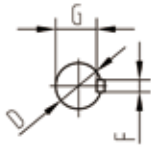
Standard: JB/T 10868-2008  
Frame size: 355-450  
Rated power: 200kW-900kW  
Degrees of energy efficiency: Grade 3(GB18613) & IE1 (IEC60034-30)  
Voltage and frequency: 380V/50Hz  
Degrees of protections: IP55  
Degrees of insulation/temperature rise: F/B  
Installation Method: B3/B5/B35/V1  
Ambient temperature: -15°C ~+40°C, Relative humidity should be less than 90%  
Cooling Method: IC411  
Altitude should be lower than 1000 m above sea level.

Motor Type	Rated Power (kW)	Rated Speed r/min	Rated Current A	Rated Eff. $\eta$ %	Power Factor $\cos\phi$	Rated Torque Nm	$\frac{I_{st}}{I_n}$	$\frac{T_{st}}{T_n}$	$\frac{T_{max}}{T_n}$	$\frac{T_{min}}{T_n}$	LW dB(A) no load	LW dB(A) load	Net Weight kg
2极 - 同步转速 3000r/min 2-pole, 3000r/min synchronous													
Y3-355L1-2	355	2980	622	96.4	0.90	1138.0	6.5	1.3	2.5	0.7	104	106	2300
Y3-355L2-2	400	2875	701	96.4	0.90	1329.0	6.5	1.3	2.5	0.7	104	106	2350
Y3-355L3-2	450	2980	788	96.4	0.90	1443.0	6.5	1.3	2.5	0.7	108	110	2400
Y3-400L1-2	450	2980	788	96.4	0.90	1443.0	6.5	1.3	2.5	0.7	108	110	3200
Y3-400L2-2	500	2980	876	96.4	0.90	1603.0	6.5	1.3	2.5	0.7	108	110	3250
Y3-400L3-2	560	2980	969	96.5	0.91	1795.0	6.5	1.2	2.5	0.6	109	111	3300
Y3-450L1-2	560	2985	969	96.5	0.91	1792.0	6.5	1.2	2.5	0.6	109	111	3900
Y3-450L2-2	630	2985	1090	96.5	0.91	2016.0	6.5	1.2	2.5	0.6	109	111	4000
Y3-450L3-2	710	2985	1227	96.6	0.91	2273.0	6.5	1.2	2.5	0.6	109	111	4100
Y3-450L4-2	800	2985	1383	96.6	0.91	2561.0	6.5	1.2	2.5	0.6	109	111	4200
4极 - 同步转速 1500r/min 4-pole, 1500r/min synchronous													
Y3-355L1-4	355	1490	636	96.3	0.88	2276.0	6.5	1.6	2.5	0.8	102	105	2300
Y3-355L2-4	400	1490	717	96.3	0.88	2565.0	6.5	1.6	2.5	0.8	102	105	2350
Y3-355L3-4	450	1490	807	96.3	0.88	2885.0	6.5	1.6	2.5	0.7	105	108	2400
Y3-400L1-4	450	1490	807	96.3	0.88	2885	6.5	1.6	2.5	0.7	105	108	3100
Y3-400L2-4	500	1490	896	96.4	0.88	3206	6.5	1.4	2.5	0.7	105	108	3250
Y3-400L3-4	560	1490	992	96.4	0.89	3591	6.5	1.4	2.5	0.7	108	111	3350
Y3-400L4-4	630	1490	1115	96.5	0.89	4040	6.5	1.4	2.5	0.6	108	111	3450
Y3-450L1-4	630	1495	1115	96.5	0.89	4026	6.5	1.4	2.5	0.6	108	111	4100
Y3-450L2-4	710	1495	1256	96.5	0.89	4537	6.5	1.4	2.5	0.6	108	111	4200
Y3-450L3-4	800	1495	1398	96.6	0.90	5113	6.5	1.4	2.5	0.6	108	111	4300
Y3-450L4-4	900	1495	1573	96.6	0.90	5752	6.5	1.4	2.5	0.6	108	111	4400
6极 - 同步转速 1000r/min 6-pole, 1000r/min synchronous													
Y3-355L1-6	315	990	608	96.0	0.82	3040	6.5	1.8	2.5	0.8	98	102	2400
Y3-355L2-6	355	990	685	96.0	0.82	3426	6.5	1.8	2.5	0.8	98	102	2450

Motor Type	Rated Power (kW)	Rated Speed r/min	Rated Current A	Rated Eff. $\eta$ %	Power Factor $\cos\phi$	Rated Torque Nm	$\frac{I_{st}}{I_n}$	$\frac{T_{st}}{T_n}$	$\frac{T_{max}}{T_n}$	$\frac{T_{min}}{T_n}$	LW dB(A) no load	LW dB(A) load	Net Weight kg
Y3-400L1-6	355	995	685	96.0	0.82	3409	6.5	1.8	2.4	0.8	98	102	3600
Y3-400L2-6	400	995	761	96.2	0.83	3841	6.5	1.6	2.4	0.8	98	102	3800
Y3-400L3-6	450	995	856	96.2	0.83	4321	6.5	1.6	2.4	0.8	102	106	3900
Y3-400L4-6	500	995	949	96.4	0.83	4801	6.5	1.6	2.4	0.8	102	106	4000
Y3-450L1-6	500	995	949	96.4	0.83	4801	6.5	1.6	2.4	0.8	102	106	4100
Y3-450L2-6	560	995	1063	96.4	0.83	5377	6.5	1.6	2.4	0.8	105	109	4200
Y3-450L3-6	630	995	1181	96.5	0.84	6049	6.5	1.6	2.4	0.7	105	109	4300
Y3-450L4-6	710	995	1331	96.5	0.84	6818	6.5	1.6	2.4	0.7	105	109	4400
8极 - 同步转速 750r/min 8-pole, 750r/min synchronous													
Y3-355L1-8	250	740	499	95.2	0.80	3228	6.5	1.6	2.5	0.8	95	100	2400
Y3-355L2-8	315	740	628	95.2	0.80	4067	6.5	1.6	2.5	0.8	95	100	2500
Y3-400L1-8	315	745	628	95.2	0.80	4040	6.5	1.6	2.4	0.8	95	100	3150
Y3-400L2-8	355	745	705	95.6	0.80	4553	6.0	1.6	2.4	0.8	95	100	3200
Y3-400L3-8	400	745	795	95.6	0.80	5130	6.0	1.6	2.4	0.8	95	100	3250
Y3-450L1-8	400	745	775	95.6	0.82	5130	6.0	1.6	2.4	0.7	99	104	3800
Y3-450L2-8	450	745	869	95.9	0.82	5771	6.0	1.6	2.4	0.7	99	104	4100
Y3-450L3-8	500	745	963	96.2	0.82	6412	6.0	1.6	2.4	0.7	99	104	4200
Y3-450L4-8	560	745	1079	96.2	0.82	7182	6.0	1.6	2.4	0.7	102	107	4300
10极 - 同步转速 600 r/min 10-pole, 600r/min synchronous													
Y3-355L1-10	200	595	434	94.7	0.74	3211	6.0	1.4	2.5	0.8	96	101	2400
Y3-355L2-10	250	595	542	94.7	0.74	4014	6.0	1.4	2.5	0.8	99	104	2500
Y3-400L1-10	250	595	542	94.7	0.74	4014	6.0	1.4	2.5	0.8	99	104	3500
Y3-400L2-10	315	595	680	95.1	0.74	5058	6.0	1.4	2.5	0.8	99	104	3600
Y3-400L3-10	355	595	766	95.1	0.74	5700	6.0	1.3	2.5	0.7	99	104	3700
Y3-450L1-10	355	595	766	95.1	0.74	5700	6.0	1.3	2.5	0.7	99	104	4400
Y3-450L2-10	400	595	859	95.6	0.74	6423	6.0	1.3	2.5	0.7	99	104	4500
Y3-450L3-10	450	595	966	95.6	0.74	7226	6.0	1.3	2.5	0.7	99	104	4600

### ■ B3 外形及安装尺寸图

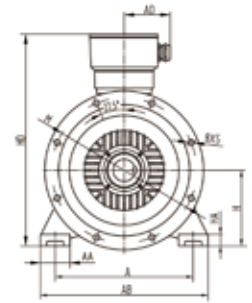
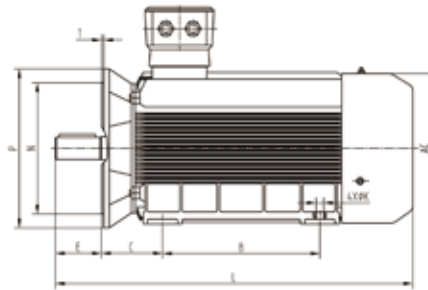
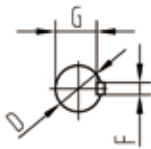
DIMENSIONS MOUNT B3



Frame	A	B	C	D	E	F	G	H	K	AB	AC	AD	HD	HA	AA	L
Y3-355-2	630	800	224	80	170	22	71	355	35	760	770	760	980	49	140	1870
Y3-355-4-10	630	800	224	110	210	28	100	355	35	760	770	760	980	49	140	1920
Y3-400-2	710	900	224	85	170	22	76	400	35	840	860	900	1060	50	145	1910
Y3-400-4-10	710	900	224	120	210	32	109	400	35	840	860	900	1060	50	145	1975
Y3-450-2	800	1000	250	95	170	25	86	450	42	990	960	940	1130	54	190	2070
Y3-450-4-10	800	1000	250	130	210	32	119	450	42	990	960	940	1130	54	190	2110

### ■ B35 外形及安装尺寸图

DIMENSIONS MOUNT B35

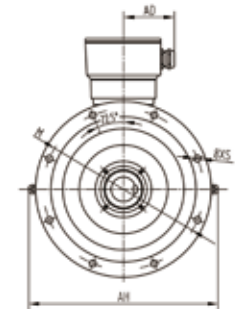
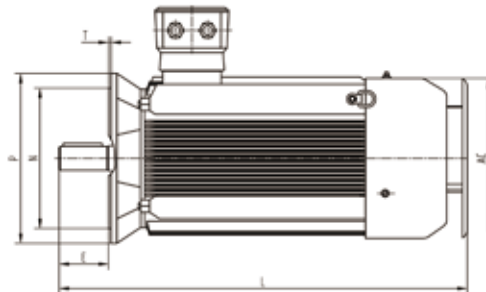
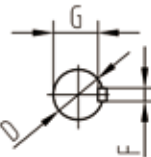


Frame	A	B	C	D	E	F	G	H	M	N	P	S	K	AB	AC	AD	HD	HA	AA	L	T
Y3-355-2	630	800	224	80	170	22	71	355	840	780	900	24	35	760	770	760	980	49	140	1870	6
Y3-355-4-10	630	800	224	110	210	28	100	355	840	780	900	24	35	760	770	760	980	49	140	1920	6
Y3-400-2	710	900	224	85	170	22	76	400	940	880	1000	28	35	840	860	900	1060	50	145	1910	6
Y3-400-4-10	710	900	224	120	210	32	109	400	940	880	1000	28	35	840	860	900	1060	50	145	1975	6
Y3-450-2	800	1000	250	95	170	25	86	450	1080	1000	1150	28	42	990	960	940	1130	54	190	2070	6
Y3-450-4-10	800	1000	250	130	210	32	119	450	1080	1000	1150	28	42	990	960	940	1130	54	190	2110	6

Note : R=0

### ■ V1 外形及安装尺寸图

DIMENSIONS MOUNT V1



Frame	AH	D	E	F	G	M	N	P	S	T	AC	AD	L
Y3-355-2	1220	80	170	22	71	840	780	900	24	6	760	760	1920
Y3-355-4-10	1220	110	210	28	100	840	780	900	24	6	760	760	1970
Y3-400-2	1255	85	170	22	76	940	880	1000	28	6	840	900	1960
Y3-400-4-10	1255	120	210	32	109	940	880	1000	28	6	840	900	2025
Y3-450-2	1500	95	170	25	86	1080	1000	1150	28	6	990	940	2120
Y3-450-4-10	1500	130	210	32	119	1080	1000	1150	28	6	990	940	2160

Note : R=0



## 产品简介

YB3 系列隔爆型三相异步电动机是在 YB2、YB 系列基础上统一设计的更新换代产品, 该系列主要总结了 YB2 系列电机在生产制造过程中的经验和不足, 依据 GB3836.1-2010《爆炸性环境 第 1 部分: 设备 通用要求》和 GB3836.2-2010《爆炸性环境 第 2 部分: 由隔爆外壳 d 保护的的设备》, 以及 JB/T 7565.1-2011《YB3 系列隔爆型三相异步电动机技术条件(机座号 63-355)》, 制成隔爆型。防爆标志 ExdIMb、ExdIIAT4Gb、ExdIIBT4Gb。以上系列电动机适用于有爆炸性气体混合物存在的场所。ExdIMb 适用于甲烷或煤尘的爆炸性混合物存在的煤矿井下环境。ExdIIAT4Gb 适用于工厂用 II 类 A 级, ExdIIBT4Gb 适用于工厂用 II 类 B 级, 温度组别为 T1、T2、T3 和 T4 组爆炸性气体混合物存在的环境。

## PRODUCT INTRODUCTION

YB3 series explosion-proof three-phase induction motor is designed as updating product on the existing YB2,YB series.This series is made according to GB3836.1-2010"Explosive environment part 1:General requirements for equipment",GB3836.2-2010"Explosive environment part 2:Equipment protected by explosion-proof enclosure<d>"and JB/T 7565.1-2011"YB3 series explosion-proof three phase induction motor technical condition(frame no.63-355)", which summarize the experience and deficiencies of YB2 series. The explosion-proof marks include ExdIMb,ExdIIAT4Gb and ExdIIBT4Gb.The above series motor is suitable for the sites with explosive air mixture. ExdIMb can be used for environment under the coal mine with explosive mixture of methane or coal dust. For explosive environment under temperature group T1,T2,T3,T4, ExdIIAT4Gb is applicable to factories class II grade A and ExdIIBT4Gb applicable to factories class II grade B.

## 详细说明

中心高: H63-355mm  
额定输出功率: 0.12kW-315kW  
能效等级: IE2 (IEC60034)  
电压和频率: 380V、660V、380/660V、50Hz  
防护等级: IP55  
绝缘 / 温升等级: F/B  
安装形式: B3、B5、B35、V1  
环境温度: -15°C到 +40°C  
相对湿度 ≤ 90%  
海拔 ≤ 1000 米  
冷却方式: IC411

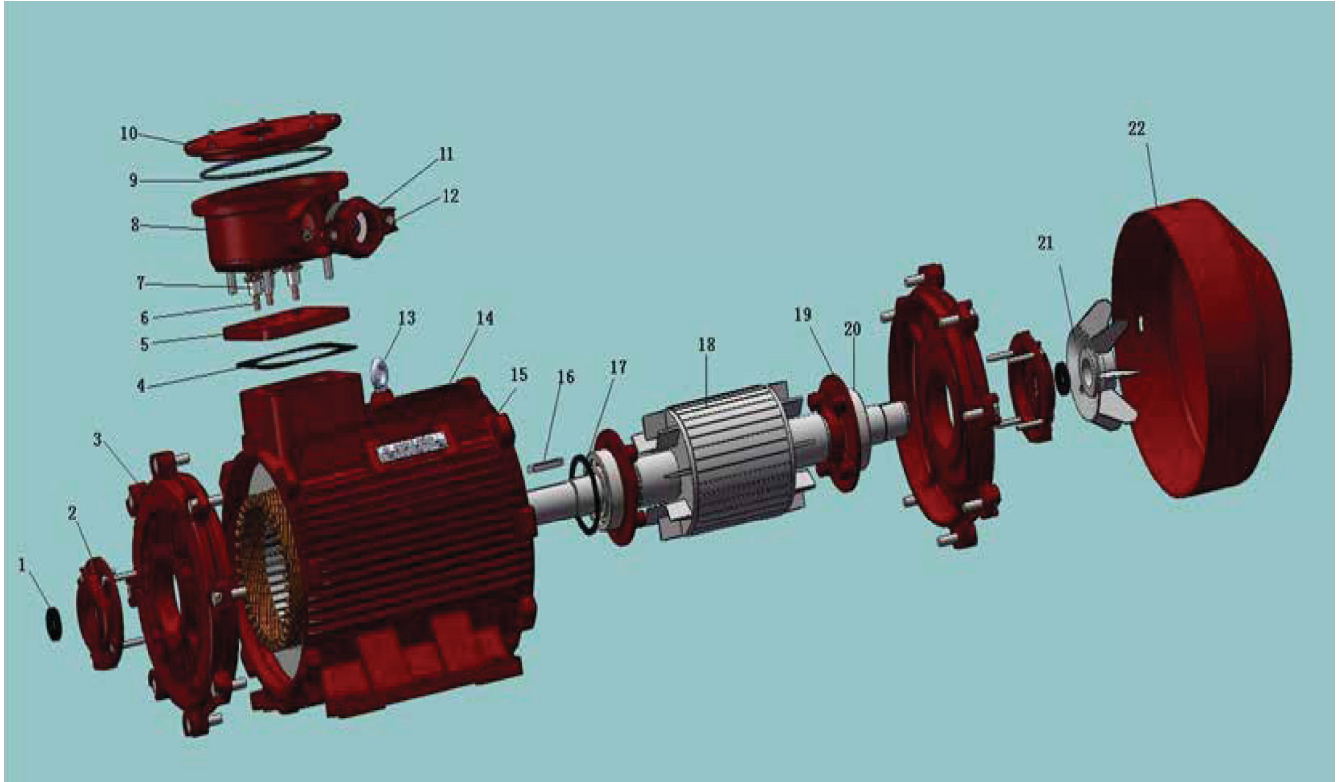
## SPECIFICATION

Frame size: H63-355mm  
Rated power: 0.12kW-315kW  
Degrees of energy efficiency: IE2 (IEC60034)  
Voltage and frequency: 380V、660V、380/660V、50Hz  
Degrees of protection: IP55  
Degrees of insulation/Temperature rise: F/B  
Installation method: B3、B5、B35、V1  
Ambient temperature: -15°C~ +40°C  
Relative humidity should be less than 90%  
Altitude should be lower than 1000m above sea level  
Cooling method: IC411



## ■ YB3/YB2-H 系列电机配件分布图

YB3/YB2-H Series Motor Spare Part List



- |           |                       |
|-----------|-----------------------|
| 1. 轴面油封   | 1.Oil Seal            |
| 2. 轴承外盖   | 2.Outer Bearing Cap   |
| 3. 端盖     | 3.Endshield           |
| 4. 接线盒密封垫 | 4.Seal Gasket         |
| 5. 安装板    | 5.Mounting Plate      |
| 6. 接线螺栓   | 6.Terminal Bolt       |
| 7. 端子套    | 7.Terminal Set        |
| 8. 接线盒座   | 8.Terminal Box Base   |
| 9. O 型密封圈 | 9.Type O Sealing Ring |
| 10. 接线盒盖  | 10.Terminal Box Lid   |
| 11. 密封圈   | 11.Sealing Ring       |
| 12. 接线盒斗  | 12.Cable Gland        |
| 13. 吊环    | 13.Eyebolt            |
| 14. 铭牌    | 14.Nameplate          |
| 15. 定子    | 15.Stator             |
| 16. 键     | 16.Key                |
| 17. 波形弹簧  | 17.Wave Spring        |
| 18. 转子    | 18.Rotor              |
| 19. 轴承内盖  | 19.Inner Bearing Cap  |
| 20. 轴承    | 20.Bearing            |
| 21. 风扇    | 21.Fan                |
| 22. 风罩    | 22.Fan Cowl           |

#### 2极 - 同步转速 3000r/min 2-pole, 3000r/min synchronous speed

电机型号	额定功率 kW	额定转速 r/min	额定电流 A	额定效率 $\eta$ %	功率因数 $\cos\phi$	额定转矩 Nm	堵转电流 额定电流	堵转转矩 额定转矩	最大转矩 额定转矩	最小转矩 额定转矩	空载噪音 dB(A)	重量 kg
Motor Type	Rated Power kW	Rated Speed r/min	Rated Current A	Rated Eff. $\eta$ %	Power Factor $\cos\phi$	Rated Torque Nm	$\frac{I_{st}}{I_n}$	$\frac{T_{st}}{T_n}$	$\frac{T_{max}}{T_n}$	$\frac{T_{min}}{T_n}$	LW dB(A) no load	Net Weight kg
YB3-63M1-2	0.18	2800	0.5	65.0	0.80	0.6	5.5	2.3	2.2	1.6	61	14
YB3-63M2-2	0.25	2800	0.7	68.0	0.81	0.9	5.5	2.3	2.2	1.6	61	15
YB3-71M1-2	0.37	2800	1.0	69.0	0.81	1.3	6.1	2.3	2.2	1.6	64	16
YB3-71M2-2	0.55	2800	1.4	74.0	0.82	1.9	6.1	2.3	2.3	1.6	64	18
YB3-80M1-2	0.75	2825	1.8	77.5	0.83	2.5	6.8	2.3	2.3	1.5	67	24
YB3-80M2-2	1.1	2825	2.4	82.8	0.83	3.7	7.3	2.3	2.3	1.5	67	28
YB3-90S-2	1.5	2840	3.2	84.1	0.84	5.0	7.6	2.3	2.3	1.5	72	31
YB3-90L-2	2.2	2840	4.6	85.6	0.85	7.4	7.8	2.3	2.3	1.4	72	36
YB3-100L-2	3	2880	6.0	86.7	0.87	10.0	8.1	2.3	2.3	1.4	76	48
YB3-112M-2	4	2890	7.9	87.6	0.88	13.2	8.3	2.3	2.3	1.4	77	62
YB3-132S1-2	5.5	2900	10.7	88.6	0.88	18.1	8.0	2.2	2.3	1.2	80	87
YB3-132S2-2	7.5	2900	14.3	89.5	0.89	24.7	7.8	2.2	2.3	1.2	80	107
YB3-160M1-2	11	2930	20.8	90.5	0.89	35.9	7.9	2.2	2.3	1.2	86	148
YB3-160M2-2	15	2930	28.1	91.3	0.89	48.9	8.0	2.2	2.3	1.2	86	162
YB3-160L-2	18.5	2930	34.4	91.8	0.89	60.3	8.1	2.2	2.3	1.1	86	189
YB3-180M-2	22	2940	40.7	92.2	0.89	71.5	8.2	2.2	2.3	1.1	88	214
YB3-200L1-2	30	2950	55.1	92.9	0.89	97.1	7.5	2.2	2.3	1.1	90	287
YB3-200L2-2	37	2950	67.7	93.3	0.89	120	7.5	2.2	2.3	1.1	90	315
YB3-225M-2	45	2970	82.0	93.7	0.89	145	7.6	2.2	2.3	1.0	92	367
YB3-250M-2	55	2970	100	94.0	0.89	177	7.6	2.2	2.3	1.0	93	456
YB3-280S-2	75	2970	135	94.6	0.89	241	6.9	2.0	2.3	0.9	94	603
YB3-280M-2	90	2970	162	95.0	0.89	289	7.0	2.0	2.3	0.9	94	724
YB3-315S-2	110	2980	195	95.0	0.90	353	7.1	2.0	2.2	0.9	96	871
YB3-315M-2	132	2980	234	95.4	0.90	423	7.1	2.0	2.2	0.9	96	952
YB3-315L1-2	160	2980	280	95.4	0.91	513	7.1	2.0	2.2	0.9	98	1034
YB3-315L2-2	200	2980	350	95.4	0.91	641	7.1	2.0	2.2	0.8	98	1176
YB3-355S1-2	185	2980	324	95.4	0.91	593	7.1	2.0	2.2	0.9	98	1368
YB3-355S2-2	200	2980	350	95.4	0.91	641	7.1	2.0	2.2	0.8	98	1472
YB3-355M1-2	220	2980	385	95.4	0.91	705	7.1	2.0	2.2	0.8	100	1854
YB3-355M2-2	250	2980	436	95.8	0.91	801	7.1	2.0	2.2	0.8	100	1972
YB3-355L1-2	280	2980	488	95.8	0.91	897	7.1	2.0	2.2	0.8	100	2546
YB3-355L2-2	315	2980	549	95.8	0.91	1009	7.1	2.0	2.2	0.8	100	2985

#### 4极 - 同步转速 1500r/min 4-pole, 1500r/min synchronous speed

电机型号	额定功率 kW	额定转速 r/min	额定电流 A	额定效率 $\eta$ %	功率因数 $\cos\phi$	额定转矩 Nm	堵转电流 额定电流	堵转转矩 额定转矩	最大转矩 额定转矩	最小转矩 额定转矩	空载噪音 dB(A)	重量 kg
Motor Type	Rated Power kW	Rated Speed r/min	Rated Current A	Rated Eff. $\eta$ %	Power Factor $\cos\phi$	Rated Torque Nm	$\frac{I_{st}}{I_n}$	$\frac{T_{st}}{T_n}$	$\frac{T_{max}}{T_n}$	$\frac{T_{min}}{T_n}$	LW dB(A) no load	Net Weight kg
YB3-63M1-4	0.12	1380	0.4	57.0	0.72	0.8	4.4	2.3	2.2	1.7	52	15
YB3-63M2-4	0.18	1380	0.6	60.0	0.73	1.2	4.4	2.3	2.2	1.7	52	16
YB3-71M1-4	0.25	1380	0.8	65.0	0.74	1.7	5.2	2.3	2.2	1.7	55	16
YB3-71M2-4	0.37	1380	1.1	67.0	0.75	2.6	5.2	2.3	2.2	1.7	55	21
YB3-80M1-4	0.55	1390	1.4	80.7	0.75	3.8	6.3	2.3	2.3	1.7	58	26.5
YB3-80M2-4	0.75	1390	1.8	82.3	0.75	5.2	6.5	2.3	2.3	1.6	58	29
YB3-90S-4	1.1	1400	2.7	83.8	0.75	7.5	6.6	2.3	2.3	1.6	61	34
YB3-90L-4	1.5	1400	3.6	85.0	0.75	10.2	6.9	2.3	2.3	1.6	61	38
YB3-100L1-4	2.2	1420	4.8	86.4	0.81	14.8	7.5	2.3	2.3	1.5	64	47
YB3-100L2-4	3	1420	6.4	87.4	0.82	20.2	7.6	2.3	2.3	1.5	64	53
YB3-112M-4	4	1440	8.4	88.3	0.82	26.5	7.7	2.3	2.3	1.5	65	68
YB3-132S-4	5.5	1440	11.4	89.2	0.82	36.5	7.5	2.0	2.3	1.4	71	95
YB3-132M-4	7.5	1440	15.2	90.1	0.83	49.7	7.4	2.0	2.3	1.4	71	128
YB3-160M-4	11	1460	21.6	91.0	0.85	72.0	7.5	2.2	2.3	1.4	75	152
YB3-160L-4	15	1460	28.9	91.8	0.86	98.1	7.5	2.2	2.3	1.4	75	169
YB3-180M-4	18.5	1470	35.4	92.2	0.86	120	7.7	2.2	2.3	1.2	76	242
YB3-180L-4	22	1470	42.0	92.6	0.86	143	7.8	2.2	2.3	1.2	76	261
YB3-200L-4	30	1470	56.9	93.2	0.86	195	7.2	2.2	2.3	1.2	79	305
YB3-225S-4	37	1480	69.8	93.6	0.86	239	7.3	2.2	2.3	1.2	81	348
YB3-225M-4	45	1480	84.7	93.9	0.86	290	7.4	2.2	2.3	1.1	81	405
YB3-250M-4	55	1480	103	94.2	0.86	355	7.4	2.2	2.3	1.1	83	480
YB3-280S-4	75	1480	137	94.7	0.88	484	6.7	2.2	2.3	1.0	86	628
YB3-280M-4	90	1485	164	95.0	0.88	579	6.9	2.2	2.3	1.0	86	762
YB3-315S-4	110	1485	199	95.4	0.88	707	6.9	2.2	2.2	1.0	93	916
YB3-315M-4	132	1485	239	95.4	0.88	849	6.9	2.2	2.2	1.0	93	1045
YB3-315L1-4	160	1485	286	95.4	0.89	1029	6.9	2.2	2.2	1.0	94	1158
YB3-315L2-4	200	1485	358	95.4	0.89	1286	6.9	2.2	2.2	0.9	94	1284
YB3-355S1-4	185	1488	331	95.4	0.89	1187	6.9	2.2	2.2	1.0	94	1358
YB3-355S2-4	200	1488	358	95.4	0.89	1284	6.9	2.2	2.2	0.9	94	1516
YB3-355M1-4	220	1488	389	95.4	0.90	1412	6.9	2.2	2.2	0.9	95	1897
YB3-355M2-4	250	1488	441	95.8	0.90	1605	6.9	2.2	2.2	0.9	95	2234
YB3-355L1-4	280	1488	493	95.8	0.90	1797	6.9	2.2	2.2	0.9	95	2891
YB3-355L2-4	315	1488	555	95.8	0.90	2022	6.9	2.2	2.2	0.8	95	3228

#### 6极 - 同步转速 1000r/min 6-pole, 1000r/min synchronous speed

电机型号	额定功率 kW	额定转速 r/min	额定电流 A	额定效率 $\eta$ %	功率因数 $\cos\phi$	额定转矩 Nm	堵转电流 额定电流	堵转转矩 额定转矩	最大转矩 额定转矩	最小转矩 额定转矩	空载噪音 dB(A)	重量 kg
Motor Type	Rated Power kW	Rated Speed r/min	Rated Current A	Rated Eff. $\eta$ %	Power Factor $\cos\phi$	Rated Torque Nm	$\frac{I_{st}}{I_n}$	$\frac{T_{st}}{T_n}$	$\frac{T_{max}}{T_n}$	$\frac{T_{min}}{T_n}$	LW dB(A) no load	Net Weight kg
YB3-71M1-6	0.18	910	0.7	56.0	0.66	1.9	4.0	1.9	2.0	1.5	52	17
YB3-71M2-6	0.25	910	0.9	59.0	0.68	2.6	4.0	1.9	2.0	1.5	52	23
YB3-80M1-6	0.37	910	1.3	62.0	0.70	3.9	4.7	1.9	2.0	1.5	54	28
YB3-80M2-6	0.55	910	1.5	75.4	0.72	5.8	4.7	1.9	2.1	1.5	54	30
YB3-90S-6	0.75	910	2.0	77.7	0.72	7.9	5.8	2.1	2.1	1.5	57	35
YB3-90L-6	1.1	910	2.9	79.9	0.73	11.5	5.9	2.1	2.1	1.3	57	41
YB3-100L-6	1.5	940	3.8	81.5	0.74	15.2	6.0	2.1	2.1	1.3	61	49
YB3-112M-6	2.2	940	5.4	83.4	0.74	22.4	6.0	2.1	2.1	1.3	65	67
YB3-132S-6	3	960	7.3	84.9	0.74	29.8	6.2	2.0	2.1	1.3	69	89
YB3-132M1-6	4	960	9.5	86.1	0.74	39.8	6.8	2.0	2.1	1.3	69	106
YB3-132M2-6	5.5	960	12.8	87.4	0.75	54.7	7.1	2.0	2.1	1.3	69	129
YB3-160M-6	7.5	970	16.4	89.0	0.78	73.8	6.7	2.1	2.1	1.3	73	148
YB3-160L-6	11	970	23.5	90.0	0.79	108	6.9	2.1	2.1	1.2	73	164
YB3-180L-6	15	970	30.9	91.0	0.81	148	7.2	2.0	2.1	1.2	73	258
YB3-200L1-6	18.5	970	37.9	91.5	0.81	182	7.2	2.1	2.1	1.2	76	296
YB3-200L2-6	22	970	44.3	92.0	0.82	217	7.3	2.1	2.1	1.2	76	318
YB3-225M-6	30	980	60.8	92.5	0.81	292	7.1	2.0	2.1	1.2	76	387
YB3-250M-6	37	980	72.0	93.0	0.84	361	7.1	2.1	2.1	1.2	78	458
YB3-280S-6	45	980	85.0	93.5	0.86	439	7.2	2.1	2.0	1.1	80	606
YB3-280M-6	55	980	104	93.8	0.86	536	7.2	2.1	2.0	1.1	80	745
YB3-315S-6	75	985	142	94.2	0.85	727	6.7	2.0	2.0	1.0	85	894
YB3-315M-6	90	985	172	94.5	0.84	873	6.7	2.0	2.0	1.0	85	981
YB3-315L1-6	110	985	207	95.0	0.85	1066	6.7	2.0	2.0	1.0	85	1197
YB3-315L2-6	132	985	245	95.0	0.86	1280	6.7	2.0	2.0	1.0	85	1285
YB3-355S-6	160	985	294	95.0	0.87	1551	6.7	2.0	2.0	1.0	92	1507
YB3-355M1-6	185	985	340	95.0	0.87	1794	6.7	2.0	2.0	1.0	92	1884
YB3-355M2-6	200	985	368	95.0	0.87	1939	6.7	2.0	2.0	0.9	92	2138
YB3-355L1-6	220	985	404	95.0	0.87	2133	6.7	2.0	2.0	0.9	92	2861
YB3-355L2-6	250	985	460	95.0	0.87	2424	6.7	2.0	2.0	0.9	92	3168

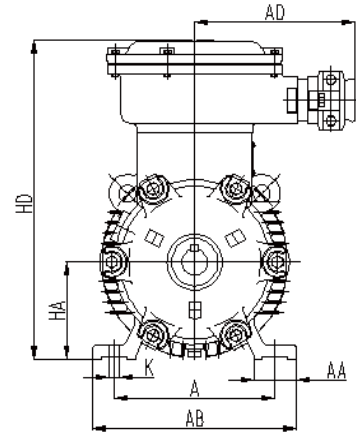
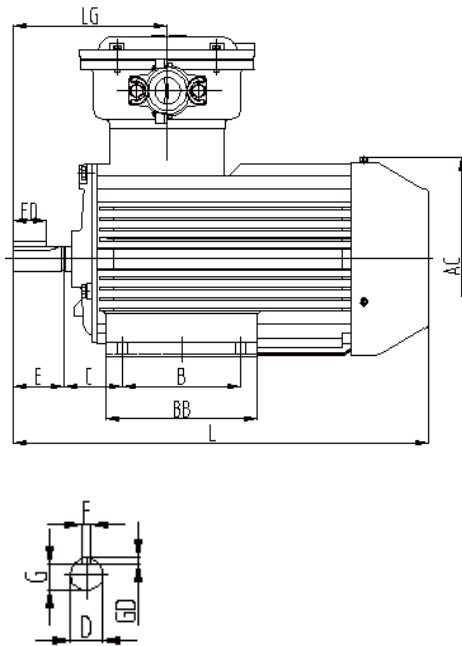
#### 8 极 - 同步转速 750r/min 8-pole, 750r/min synchronous speed

电机型号	额定功率 kW	额定转速 r/min	额定电流 A	额定效率 $\eta$ %	功率因数 $\cos\phi$	额定转矩 Nm	堵转电流 额定电流	堵转转矩 额定转矩	最大转矩 额定转矩	最小转矩 额定转矩	空载噪音 dB(A)	重量 kg
Motor Type	Rated Power kW	Rated Speed r/min	Rated Current A	Rated Eff. $\eta$ %	Power Factor $\cos\phi$	Rated Torque Nm	$\frac{I_{st}}{I_n}$	$\frac{T_{st}}{T_n}$	$\frac{T_{max}}{T_n}$	$\frac{T_{min}}{T_n}$	LW dB(A) no load	Net Weight kg
YB3-80M1-8	0.18	710	0.9	51.0	0.61	2.4	3.3	1.8	1.9	1.3	52	26
YB3-80M2-8	0.25	710	1.2	54.0	0.61	3.4	3.3	1.8	1.9	1.3	52	28
YB3-90S-8	0.37	710	1.5	62.0	0.61	5.0	4.0	1.8	1.9	1.3	56	33
YB3-90L-8	0.55	710	2.2	63.0	0.61	7.4	4.0	1.8	2.0	1.3	56	39
YB3-100L1-8	0.75	710	2.4	70.0	0.67	10.1	4.0	1.8	2.0	1.3	59	47
YB3-100L2-8	1.1	710	3.4	72.0	0.69	14.8	5.0	1.8	2.0	1.2	59	51
YB3-112M-8	1.5	710	4.4	74.0	0.70	20.2	5.0	1.8	2.0	1.2	61	66
YB3-132S-8	2.2	710	6.0	79.0	0.71	29.6	6.0	1.8	2.0	1.2	64	84
YB3-132M-8	3	710	7.8	80.0	0.73	40.4	6.0	1.8	2.0	1.2	64	112
YB3-160M1-8	4	720	10.3	81.0	0.73	53.1	6.0	1.9	2.0	1.2	68	135
YB3-160M2-8	5.5	720	13.6	83.0	0.74	73.0	6.0	1.9	2.0	1.2	68	149
YB3-160L-8	7.5	720	17.8	85.5	0.75	99.5	6.0	1.9	2.0	1.2	68	153
YB3-180L-8	11	730	25.5	87.5	0.75	144	6.5	2.0	2.0	1.1	70	237
YB3-200L-8	15	730	34.1	88.0	0.76	196	6.6	2.0	2.0	1.1	73	276
YB3-225S-8	18.5	730	41.1	90.0	0.76	242	6.6	1.9	2.0	1.1	73	332
YB3-225M-8	22	730	47.4	90.5	0.78	288	6.6	1.9	2.0	1.1	73	376
YB3-250M-8	30	730	63.4	91.0	0.79	392	6.5	1.9	2.0	1.1	75	436
YB3-280S-8	37	740	77.8	91.5	0.79	478	6.6	1.9	2.0	1.1	76	587
YB3-280M-8	45	740	94.1	92.0	0.79	581	6.6	1.9	2.0	1.0	76	697
YB3-315S-8	55	740	111	92.8	0.81	710	6.6	1.8	2.0	1.0	82	865
YB3-315M-8	75	740	150	93.5	0.81	968	6.2	1.8	2.0	0.9	82	958
YB3-315L1-8	90	740	178	93.8	0.82	1161	6.4	1.8	2.0	0.9	82	1085
YB3-315L2-8	110	740	217	94.0	0.82	1420	6.4	1.8	2.0	0.9	82	1234
YB3-355S-8	132	740	261	93.7	0.82	1704	6.4	1.8	2.0	0.9	90	1312
YB3-355M-8	160	740	315	94.2	0.82	2065	6.4	1.8	2.0	0.9	90	1928
YB3-355L1-8	185	740	364	94.2	0.82	2388	6.4	1.8	2.0	0.9	90	2581
YB3-355L2-8	200	740	387	94.5	0.83	2581	6.4	1.8	2.0	0.9	90	3152
10 极 - 同步转速 600r/min 10-pole, 600r/min synchronous speed												
YB3-315S-10	45	587	100	91.5	0.75	732	6.2	1.5	2.0	0.8	82	841
YB3-315M-10	55	587	121	92.0	0.75	895	6.2	1.5	2.0	0.8	82	925
YB3-315L1-10	75	587	162	92.5	0.76	1220	5.8	1.5	2.0	0.8	82	1036
YB3-315L2-10	90	587	191	93.0	0.77	1464	5.9	1.5	2.0	0.8	82	1164
YB3-355S-10	90	587	191	93.0	0.77	1464	5.9	1.5	2.0	0.8	82	1451
YB3-355M1-10	110	587	229	93.2	0.78	1790	6.0	1.3	2.0	0.8	90	1583
YB3-355M2-10	132	587	275	93.5	0.78	2148	6.0	1.3	2.0	0.8	90	1969
YB3-355L1-10	160	587	333	93.5	0.78	2603	6.0	1.3	2.0	0.8	90	2654
YB3-355L2-10	185	587	385	93.5	0.78	3010	6.0	1.3	2.0	0.8	90	2962

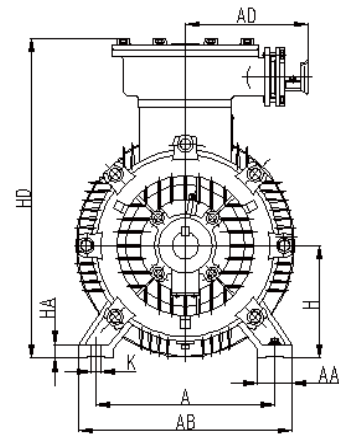
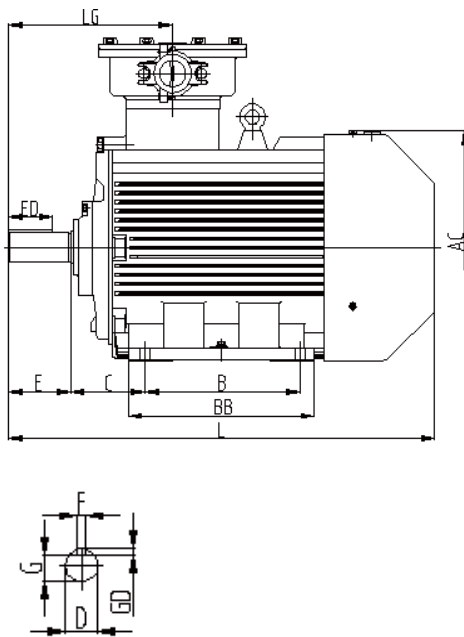
**B3 外形及安装尺寸图**

DIMENSIONS MOUNT B3

YB3-63-132



YB3-160-355

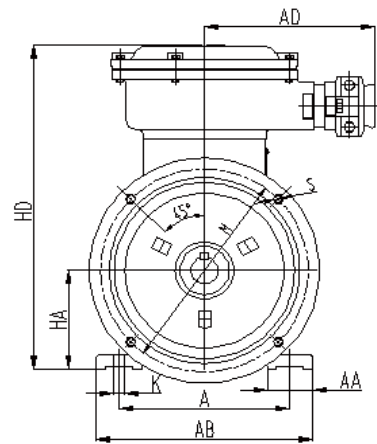
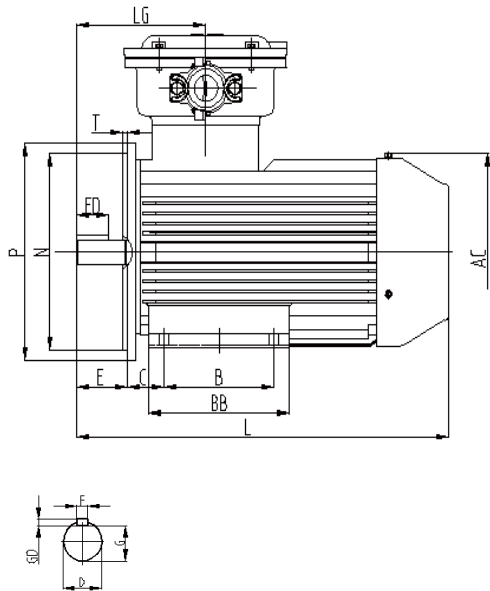


机座号	A	AA	AB	AC	AD	B	BB	C	D	E	ED	F	G	GD	H	HA	HD	K	L	LG
63M	100	25	125	126	165	80	110	40	11	23	12	4	8.5	4	63	8	228	7	241	101
71M	112	28	140	143	165	90	114	45	14	30	20	5	11	5	71	8	248	7	270	123
80M	125	34	160	180	175	100	130	50	19	40	22	6	15.5	6	80	10	296	10	318	141
90S	140	36	176	190	175	100	135	56	24	50	32	8	20	8	90	14	318	10	365	156
90L	140	36	176	190	175	125	160	56	24	50	32	8	20	8	90	14	318	10	390	156
100L	160	43	200	210	175	140	176	63	28	60	40	8	24	8	100	14	344	12	443	162
112M	190	50	240	225	190	140	180	70	28	60	40	8	24	8	112	16	369	12	492	183
132S	216	60	276	265	190	140	190	89	38	80	56	10	33	10	132	18	417	12	509	200
132M	216	60	276	265	190	178	230	89	38	80	56	10	33	10	132	18	417	12	559	200
160M	254	70	324	320	211	210	258	108	42	110	80	12	37	12	160	25	487	14.5	700	272
160L	254	70	324	320	211	254	310	108	42	110	80	12	37	12	160	25	487	14.5	730	272
180M	279	70	349	360	211	241	311	121	48	110	80	14	42.5	14	180	22	528	15	771	279
180L	279	70	349	360	211	279	349	121	48	110	80	14	42.5	14	180	22	528	15	791	279
200L	318	70	388	405	240	305	366	133	55	110	85	16	49	16	200	25	589	18	829	291
225S(4-8P)	356	75	431	450	240	286	355	149	60	140	100	18	53	18	225	28	634	19	845	346
225M(2P)	356	75	431	450	240	311	380	149	55	110	80	16	49	16	225	28	634	19	875	346
225M(4-8P)	356	75	431	450	240	311	380	149	60	140	100	18	53	18	225	28	634	19	875	346
250M(2P)	406	80	486	500	279	349	420	168	60	140	100	18	53	18	250	30	711	24	961	370
250M(4-8P)	406	80	486	500	279	349	420	168	65	140	100	18	58	18	250	30	711	24	961	370
280S(2P)	457	85	542	550	279	368	440	190	65	140	100	18	58	18	280	35	765	24	1020	378
280S(4-8P)	457	85	542	550	279	368	440	190	75	140	100	20	67.5	20	280	35	765	24	1020	378
280M(2P)	457	85	542	550	279	419	490	190	65	140	100	18	58	18	280	35	765	24	1080	378
280M(4-8P)	457	85	542	550	279	419	490	190	75	140	100	20	67.5	20	280	35	765	24	1080	378
315S(2P)	508	120	628	625	352	406	550	216	65	140	100	18	58	18	315	45	908	28	1250	472
315M(2P)	508	120	628	625	352	457	680	216	65	140	100	18	58	18	315	45	908	28	1370	472
315L(2P)	508	120	628	625	352	508	680	216	65	140	100	18	58	18	315	45	908	28	1370	472
315S(4-10P)	508	120	628	625	352	508	680	216	80	170	130	22	71	22	315	45	908	28	1280	472
315M(4-10P)	508	120	628	625	352	508	680	216	80	170	130	22	71	22	315	45	908	28	1400	472
315L(4-10P)	508	120	628	625	352	508	680	216	80	170	130	22	71	22	315	45	908	28	1400	472
355S(2P)	610	120	730	702	352	500	636	254	75	140	100	20	67.5	20	355	52	1040	28	1460	486
355M(2P)	610	120	730	702	352	560	696	254	75	140	100	20	67.5	20	355	52	1040	28	1540	486
355L(2P)	610	120	730	702	352	630	766	254	75	140	100	20	67.5	20	355	52	1040	28	1650	486
355S(4-10P)	610	120	730	702	352	500	636	254	95	170	130	25	86	25	355	52	1040	28	1490	486
355M(4-10P)	610	120	730	702	352	560	696	254	95	170	130	25	86	25	355	52	1040	28	1570	486
355L(4-10P)	610	120	730	702	352	630	766	254	95	170	130	25	86	25	355	52	1040	28	1680	486

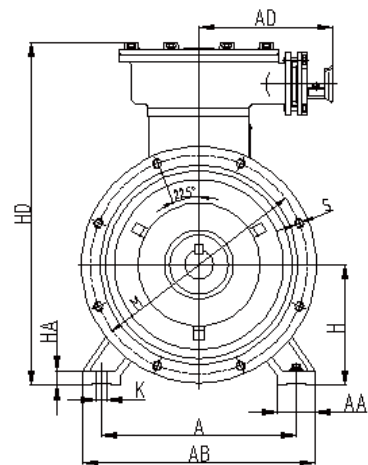
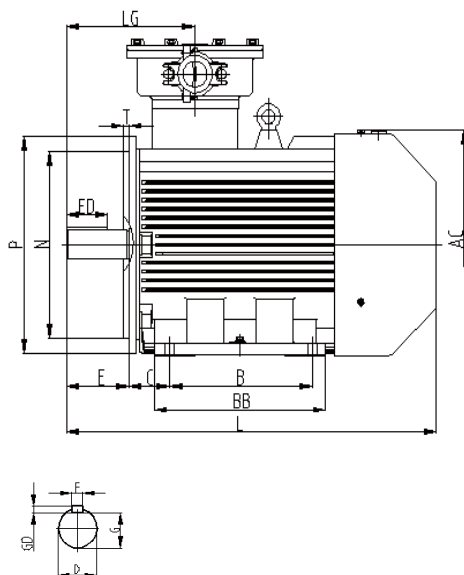
**B35 外形及安装尺寸图**

DIMENSIONS MOUNT B35

YB3-63-200



YB3-225-355



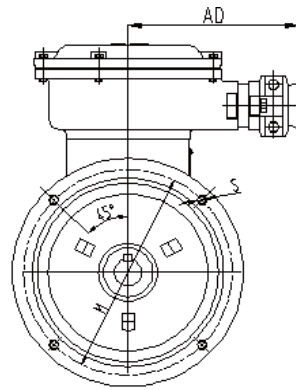
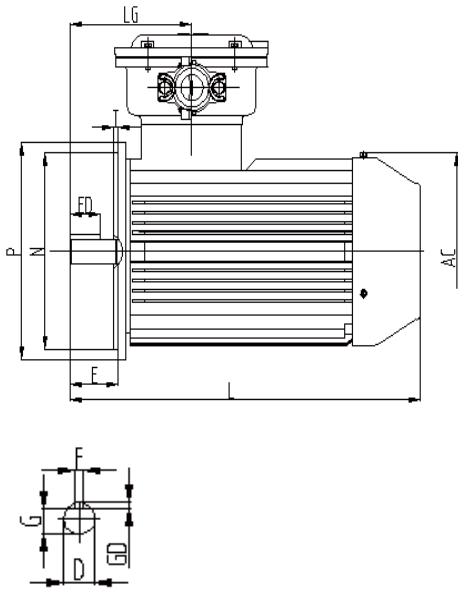




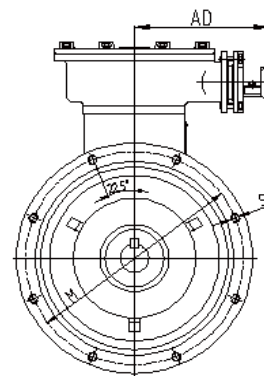
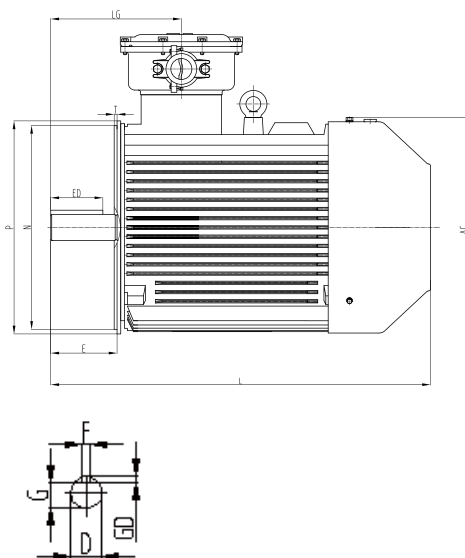
■ B5&V1 外形及安装尺寸图

DIMENSIONS MOUNT B35 & V1

YB3-63-200



YB3-225-355



机座号	AC	AD	D	E	ED	F	G	GD	L	LG	LM	M	N	P	S	T
63M	126	165	11	23	12	4	8.5	4	241	101	281	115	95	140	10	3.0
71M	143	165	14	30	20	5	11	5	270	123	310	130	110	160	10	3.0
80M	180	175	19	40	22	6	15.5	6	318	141	358	165	130	200	12	3.5
90S	190	175	24	50	32	8	20	8	365	156	405	165	130	200	12	3.5
90L	190	175	24	50	32	8	20	8	390	156	430	165	130	200	12	3.5
100L	210	175	28	60	40	8	24	8	443	162	490	215	180	250	15	4
112M	225	190	28	60	40	8	24	8	492	183	542	215	180	250	15	4
132S	265	190	38	80	56	10	33	10	509	200	559	265	230	300	15	4
132M	265	190	38	80	56	10	33	10	559	200	620	265	230	300	15	4
160M	320	211	42	110	80	12	37	12	700	272	740	300	250	350	19	5
160L	320	211	42	110	80	12	37	12	730	272	785	300	250	350	19	5
180M	360	211	48	110	80	14	42.5	14	771	279	826	300	250	350	19	5
180L	360	211	48	110	80	14	42.5	14	791	279	846	300	250	350	19	5
200L	405	240	55	110	85	16	49	16	829	291	899	350	300	400	19	5
225S(4-8P)	450	240	60	140	100	18	53	18	845	346	914	400	350	450	19	5
225M(2P)	450	240	55	110	80	16	49	16	875	346	914	400	350	450	19	5
225M(4-8P)	450	240	60	140	100	18	53	18	875	346	944	400	350	450	19	5
250M(2P)	500	279	60	140	100	18	53	18	961	370	1077	500	450	550	19	5
250M(4-8P)	500	279	65	140	100	18	58	18	961	370	1077	500	450	550	19	5
280S(2P)	550	279	65	140	100	18	58	18	1020	378	1125	500	450	550	19	5
280S(4-8P)	550	279	75	140	100	20	67.5	20	1020	378	1125	500	450	550	19	5
280M(2P)	550	279	65	140	100	18	58	18	1080	378	1125	500	450	550	19	5
280M(4-8P)	550	279	75	140	100	20	67.5	20	1080	378	1125	500	450	550	19	5
315S(2P)	625	352	65	140	100	18	58	18	1250	472	1348	600	550	660	24	6
315M(2P)	625	352	65	140	100	18	58	18	1370	472	1468	600	550	660	24	6
315L(2P)	625	352	65	140	100	18	58	18	1370	472	1468	600	550	660	24	6
315S(4-10P)	625	352	80	170	130	22	71	22	1280	472	1378	600	550	660	24	6
315M(4-10P)	625	352	80	170	130	22	71	22	1400	472	1498	600	550	660	24	6
315L(4-10P)	625	352	80	170	130	22	71	22	1400	472	1498	600	550	660	24	6
355S(2P)	702	352	75	140	100	20	67.5	20	1460	486	1550	740	680	800	24	6
355M(2P)	702	352	75	140	100	20	67.5	20	1540	486	1630	740	680	800	24	6
355L(2P)	702	352	75	140	100	20	67.5	20	1650	486	1740	740	680	800	24	6
355S(4-10P)	702	352	95	170	130	25	86	25	1490	486	1580	740	680	800	24	6
355M(4-10P)	702	352	95	170	130	25	86	25	1570	486	1660	740	680	800	24	6
355L(4-10P)	702	352	95	170	130	25	86	25	1680	486	1770	740	680	800	24	6

Note: R=0



## 产品简介

YB2-H 系列依据 GB3836.1-2000《爆炸性环境 第1部分:设备 通用要求》和 GB3836.2-2000《爆炸性环境 第2部分:由隔爆外壳“d”保护的的设备》,以及 JB/T 7565.6-2004《YB2-H 系列船用隔爆型三相异步电动机技术条件(机座号 63-355)》,制成隔爆型。防爆标志 ExdIIBT4Gb,适用于船用环境 II 类 B 级,温度组别为 T1、T2、T3 和 T4 组爆炸性气体混合物存在的环境,外形尺寸可参考 YB3 系列。

## PRODUCT INTRODUCTION

YB2-H series is made according to GB3836.1-2000“Explosive environment part 1:General requirements for equipment”,GB3836.2-2000“Explosive environment part 2:Equipment protected by explosion-proof enclosure<d>”and JB/T 7565.6-2004“YB2-H series marine explosion-proof three phase induction motor technical conditions(frame no.63-355)”. The explosion-proof marks is ExdIIBT4Gb. For explosive environment under temperature group T1,T2,T3,T4, YB2-H is applicable to marine class II grade B.And its outline dimension can refer to YB3 series.

## 详细说明

中心高: H63-355mm  
额定输出功率: 0.12kW-315kW  
电压和频率: 380V/50Hz, 440V/60Hz  
防护等级: IP55  
绝缘 / 温升等级: F/B  
安装形式: B3、B5、B35、V1  
环境温度: 0°C到 +45°C  
相对湿度 ≤ 95%  
倾斜度 ±22.5°  
冷却方式: IC411

## SPECIFICATION

Frame size: H63-355mm  
Rated power: 0.12kW-315kW  
Voltage and frequency: 380/50 Hz, 440V/60Hz  
Degrees of protection: IP55  
Degrees of insulation/Temperature rise: F/B  
Installation method: B3、B5、B35、V1  
Ambient temperature: 0°C~ +45°C  
Relative humidity should be less than 95%  
Slope: ±22.5°  
Cooling method: IC411

2 极 - 同步转速 3000/3600r/min 2-pole, 3000/3600r/min synchronous speed 380V/50HZ,440V/60HZ

电机型号	额定功率 kW	额定转速 r/min	额定电流 A	额定效率 $\eta$ %	功率因数 $\cos\phi$	额定转矩 Nm	堵转电流 额定电流	堵转转矩 额定转矩	最大转矩 额定转矩	最小转矩 额定转矩	空载噪音 dB(A)	重量 kg
Motor Type	Rated Power kW	Rated Speed r/min	Rated Current A	Rated Eff. $\eta$ %	Power Factor $\cos\phi$	Rated Torque Nm	$\frac{I_{st}}{I_n}$	$\frac{T_{st}}{T_n}$	$\frac{T_{max}}{T_n}$	$\frac{T_{min}}{T_n}$	LW dB(A) no load	Net Weight kg
YB2-63M1-2-H	0.18	2800/3360	0.52/0.46	66.0/66.5	0.80/0.78	0.6/0.5	5.0	2.2	2.3	1.6	61/63	14
YB2-63M2-2-H	0.25	2800/3360	0.69/0.60	68.0/68.5	0.81/0.80	0.9/0.7	5.0	2.2	2.3	1.6	61/63	15
YB2-71M1-2-H	0.37	2800/3360	0.99/0.86	70.0/70.5	0.81/0.80	1.3/1.1	5.5	2.2	2.3	1.6	64/67	16
YB2-71M2-2-H	0.55	2800/3360	1.38/1.20	73.0/73.5	0.83/0.82	1.9/1.6	5.5	2.2	2.3	1.6	64/67	18
YB2-80M1-2-H	0.75	2825/3390	1.8/1.6	75.0/76.5	0.83/0.82	2.5/2.1	6	2.2	2.3	1.5	67/70	24
YB2-80M2-2-H	1.1	2825/3390	2.6/2.2	78.0/78.0	0.84/0.83	3.7/3.1	6	2.2	2.3	1.5	67/70	28
YB2-90S-2-H	1.5	2840/3408	3.4/3.0	79.0/79.5	0.84/0.83	5.0/4.2	7	2.2	2.3	1.5	72/75	31
YB2-90L-2-H	2.2	2840/3408	4.8/4.2	81.0/82	0.85/0.84	7.4/6.2	7	2.2	2.3	1.4	72/78	36
YB2-100L-2-H	3	2880/3456	6.2/5.5	83.0/83.0	0.88/0.87	10/8.3	7	2.2	2.3	1.4	76/78	48
YB2-112M-2-H	4	2890/3468	8.1/7.1	85.0/85.5	0.88/0.87	13.2/11	7	2.2	2.3	1.4	77/80	62
YB2-132S1-2-H	5.5	2900/3480	11.1/9.6	86.0/86.0	0.88/0.87	18.1/15	7.5	2.2	2.3	1.2	80/83	87
YB2-132S2-2-H	7.5	2900/3480	14.8/12.9	87.0/87.5	0.88/0.87	24.7/20.6	7.5	2.2	2.3	1.2	80/83	107
YB2-160M1-2-H	11	2930/3516	21.6/18.6	88.4/89.0	0.88/0.87	35.9/29.8	7.5	2.2	2.4	1.2	86/89	148
YB2-160M2-2-H	15	2930/3516	28.8/25.0	89.4/89.4	0.89/0.88	48.9/40.7	7.5	2.2	2.4	1.2	86/89	162
YB2-160L-2-H	18.5	2930/3516	35.5/30.7	90.0/90.0	0.89/0.88	60.3/50.2	7.5	2.2	2.4	1.1	86/89	189
YB2-180M-2-H	22	2940/3528	41/35.8	90.5/90.5	0.90/0.89	71.5/59.6	7.5	2	2.3	1.1	89/92	214
YB2-200L1-2-H	30	2950/3540	55.5/48.4	91.4/91.4	0.90/0.89	97.1/81	7.5	2	2.4	1.1	92/96	287
YB2-200L2-2-H	37	2950/3540	67.9/59.3	92.0/92.0	0.90/0.89	120/100	7.5	2	2.4	1.1	92/96	315
YB2-225M-2-H	45	2970/3564	82.1/71.7	92.5/92.5	0.90/0.89	145/121	7.5	2	2.3	1	92/96	367
YB2-250M-2-H	55	2970/3564	99.7/87.2	93.0/93.0	0.90/0.89	177/147	7.5	2.1	2.3	1	93/97	456
YB2-280S-2-H	75	2970/3564	134/117	93.6/93.6	0.91/0.90	241/201	7.5	2	2.3	0.9	94/98	603
YB2-280M-2-H	90	2970/3564	161/140	93.9/93.9	0.91/0.90	289/241	7.5	2.1	2.3	0.9	94/98	724
YB2-315S-2-H	110	2980/3576	195/171	94.0/94.0	0.91/0.90	353/294	7	1.8	2.2	0.9	96/100	871
YB2-315M-2-H	132	2980/3576	233/204	94.5/94.5	0.91/0.90	423/353	7	1.8	2.2	0.9	96/100	952
YB2-315L1-2-H	160	2980/3576	282/247	94.6/94.6	0.91/0.90	513/427	7	1.8	2.2	0.9	99/103	1034
YB2-315L2-2-H	200	2980/3576	348/304	94.8/94.8	0.92/0.91	641/534	7	1.8	2.2	0.8	99/103	1176
YB2-355M1-2-H	220	2980/3576	383/335	94.8/94.8	0.92/0.91	705/588	7	1.6	2.2	0.8	103/107	1854
YB2-355M2-2-H	250	2980/3576	433/379	95.2/95.2	0.92/0.91	801/668	7	1.6	2.2	0.8	103/107	1972
YB2-355L1-2-H	280	2980/3576	484/424	95.2/95.2	0.92/0.91	897/748	7	1.6	2.2	0.8	103/107	2546
YB2-355L2-2-H	315	2980/3576	544/476	95.4/95.4	0.92/0.91	1009/841	7	1.6	2.2	0.8	103/107	2985

4 极 - 同步转速 1500/1800r/min 4-pole, 1500/1800r/min synchronous speed

380V/50HZ,440V/60HZ

电机型号	额定功率 kW	额定转速 r/min	额定电流 A	额定效率 $\eta$ %	功率因数 $\cos\phi$	额定转矩 Nm	堵转电流 额定电流	堵转转矩 额定转矩	最大转矩 额定转矩	最小转矩 额定转矩	空载噪音 dB(A)	重量 kg
Motor Type	Rated Power kW	Rated Speed r/min	Rated Current A	Rated Eff. $\eta$ %	Power Factor $\cos\phi$	Rated Torque Nm	$\frac{I_{st}}{I_n}$	$\frac{T_{st}}{T_n}$	$\frac{T_{max}}{T_n}$	$\frac{T_{min}}{T_n}$	LW dB(A) no load	Net Weight kg
YB2-63M1-4-H	0.12	1380/1656	0.44/0.38	58.0/59.0	0.72/0.70	0.8/0.7	4.0	2.0	2.2	1.7	52/55	15
YB2-63M2-4-H	0.18	1380/1656	0.59/0.52	63.0/64.0	0.73/0.71	1.2/1.0	4.0	2.0	2.2	1.7	52/55	16
YB2-71M1-4-H	0.25	1380/1656	0.78/0.68	66.0/66.5	0.74/0.73	1.7/1.4	4.0	2.0	2.2	1.7	55/58	16
YB2-71M2-4-H	0.37	1380/1656	1.09/0.94	69.0/70.0	0.75/0.74	2.6/2.1	4.0	2.0	2.2	1.7	55/58	21
YB2-80M1-4-H	0.55	1390/1668	1.5/1.36	71.0/71.5	0.75/0.74	3.8/3.1	5	2.4	2.3	1.7	58/61	26.5
YB2-80M2-4-H	0.75	1390/1668	2/1.75	73.0/74.0	0.77/0.76	5.2/4.3	5	2.4	2.3	1.6	58/61	29
YB2-90S-4-H	1.1	1400/1680	2.9/2.5	76.2/77.0	0.77/0.76	7.5/6.3	6	2.3	2.3	1.6	61/64	34
YB2-90L-4-H	1.5	1400/1680	3.7/3.2	78.5/79.0	0.79/0.77	10.2/8.5	6	2.3	2.3	1.6	61/64	38
YB2-100L1-4-H	2.2	1420/1704	5.1/4.5	81.0/81.5	0.81/0.79	14.8/12.3	6	2.3	2.4	1.5	64/67	47
YB2-100L2-4-H	3	1420/1704	6.8/5.9	82.6/83.0	0.82/0.81	20.2/16.8	6	2.3	2.4	1.5	64/67	53
YB2-112M-4-H	4	1440/1728	8.8/7.6	84.2/85.0	0.82/0.81	26.5/22	6	2.3	2.4	1.5	65/68	68
YB2-132S-4-H	5.5	1440/1728	11.5/10	86.0/87.0	0.84/0.83	36.5/30.4	7	2.3	2.4	1.4	71/74	95
YB2-132M-4-H	7.5	1440/1728	15.4/13.3	87.0/88.0	0.85/0.84	49.7/41.4	7	2.3	2.4	1.4	71/74	128
YB2-160M-4-H	11	1460/1752	22.3/19.5	88.4/88.0	0.85/0.84	72.0/60	7	2.2	2.4	1.4	75/78	152
YB2-160L-4-H	15	1460/1752	30.1/26.2	89.4/89.5	0.85/0.84	98.1/82	7	2.2	2.4	1.4	75/78	169
YB2-180M-4-H	18.5	1470/1764	36.5/31.9	90.5/90.5	0.85/0.84	120/100	7	2.2	2.3	1.2	76/79	242
YB2-180L-4-H	22	1470/1764	43.1/37.6	91.2/91.5	0.85/0.84	143/119	7	2.2	2.3	1.2	76/79	261
YB2-200L-4-H	30	1470/1764	57.6/50.3	92.0/92.0	0.86/0.85	195/162	7.2	2.2	2.4	1.2	79/82	305
YB2-225S-4-H	37	1480/1776	69.9/61	92.5/92.5	0.87/0.86	239/199	7.2	2.2	2.4	1.2	81/84	348
YB2-225M-4-H	45	1480/1776	84.7/74	92.8/92.8	0.87/0.86	290/242	7.2	2.2	2.4	1.1	81/84	405
YB2-250M-4-H	55	1480/1776	103/90.2	93.0/93.0	0.87/0.86	355/296	7.2	2.2	2.4	1.1	83/86	480
YB2-280S-4-H	75	1480/1776	140/122	93.8/93.8	0.87/0.86	484/403	7.2	2.2	2.4	1.0	86/89	628
YB2-280M-4-H	90	1485/1782	167/146	94.2/94.2	0.87/0.86	579/482	7.2	2.2	2.4	1.0	86/89	762
YB2-315S-4-H	110	1485/1782	201/174	94.5/94.5	0.88/0.88	707/590	7	2.1	2.2	1.0	93/96	916
YB2-315M-4-H	132	1485/1782	240/208	94.8/94.8	0.88/0.88	849/707	7	2.1	2.2	1.0	93/96	1045
YB2-315L1-4-H	160	1485/1782	291/251	94.9/94.9	0.88/0.88	1029/857	7	2.1	2.2	1.0	97/100	1158
YB2-315L2-4-H	200	1485/1782	360/314	94.9/94.9	0.88/0.88	1286/1072	7	2.1	2.2	0.9	97/100	1284
YB2-355M1-4-H	220	1488/1786	391/342	94.9/94.9	0.9/0.89	1412/1176	7	2.1	2.2	0.9	101/104	1897
YB2-355M2-4-H	250	1488/1786	445/388	94.9/94.9	0.9/0.89	1605/1337	7	2.1	2.2	0.9	101/104	2234
YB2-355L2-4-H	280	1488/1786	498/435	94.9/94.9	0.9/0.89	1797/1497	7	2.1	2.2	0.9	101/104	2891
YB2-355L2-4-H	315	1488/1786	560/489	94.9/94.9	0.9/0.89	2022/1684	7	2.1	2.2	0.8	101/104	3228

6 极 - 同步转速 1000/1200r/min 6-pole, 1000/1200r/min synchronous speed 380V/50HZ,440V/60HZ

电机型号	额定功率 kW	额定转速 r/min	额定电流 A	额定效率 $\eta$ %	功率因数 $\cos\phi$	额定转矩 Nm	堵转电流 额定电流	堵转转矩 额定转矩	最大转矩 额定转矩	最小转矩 额定转矩	空载噪音 dB(A)	重量 kg
Motor Type	Rated Power kW	Rated Speed r/min	Rated Current A	Rated Eff. $\eta$ %	Power Factor $\cos\phi$	Rated Torque Nm	$\frac{I_{st}}{I_n}$	$\frac{T_{st}}{T_n}$	$\frac{T_{max}}{T_n}$	$\frac{T_{min}}{T_n}$	LW dB(A) no load	Net Weight kg
YB2-71M1-6-H	0.18	910/1092	0.67/0.6	62.0/63.0	0.66/0.63	1.9/1.6	4.0	1.9	2.1	1.5	52/54	17
YB2-71M2-6-H	0.25	910/1092	0.89/0.8	63.0/63.5	0.68/0.66	2.6/2.2	4.0	1.9	2.1	1.5	52/54	23
YB2-80M1-6-H	0.37	910/1092	1.3/1.1	63.0/63.5	0.70/0.68	3.9/3.2	4.0	1.9	2.1	1.5	54/57	28
YB2-80M2-6-H	0.55	910/1092	1.8/1.5	66.0/67.0	0.72/0.70	5.8/4.8	4.0	1.9	2.1	1.5	54/57	30
YB2-90S-6-H	0.75	910/1092	2.3/2.0	69.0/70.0	0.72/0.70	7.9/6.6	4.0	2.1	2.1	1.5	57/60	35
YB2-90L-6-H	1.1	910/1092	3.2/2.7	73.0/73.5	0.73/0.72	11.5/9.6	5.0	2.1	2.1	1.3	57/60	41
YB2-100L-6-H	1.5	940/1128	4/3.4	76.0/77.0	0.76/0.75	15.2/12.7	5.0	2.1	2.1	1.3	61/64	49
YB2-112M-6-H	2.2	940/1128	5.5/4.8	79.0/80.5	0.76/0.75	22.4/18.6	5.0	2.1	2.1	1.3	65/68	67
YB2-132S-6-H	3	960/1152	7.3/6.4	81.0/81.5	0.77/0.76	29.8/25	6.0	2.1	2.4	1.3	69/72	89
YB2-132M1-6-H	4	960/1152	9.4/8.2	83.0/83.5	0.78/0.77	39.8/33.2	6.0	2.1	2.4	1.3	69/72	106
YB2-132M2-6-H	5.5	960/1152	12.6/11.0	85.0/85.5	0.78/0.77	54.7/45.6	6.5	2.1	2.4	1.3	69/72	129
YB2-160M-6-H	7.5	970/1164	16.8/14.5	86.0/87.0	0.79/0.78	73.8/61.5	6.5	2.1	2.4	1.3	73/76	148
YB2-160L-6-H	11	970/1164	24.4/21.0	87.5/88.0	0.79/0.78	108/90.2	6.5	2.1	2.4	1.2	73/76	164
YB2-180L-6-H	15	970/1164	31.5/27.6	89.0/89.0	0.81/0.80	148/123	7	2.1	2.1	1.2	73/76	258
YB2-200L1-6-H	18.5	970/1164	37.6/32.9	90.0/90.0	0.83/0.82	182/152	7	2.2	2.4	1.2	76/79	296
YB2-200L2-6-H	22	970/1164	44.5/39.1	90.0/90.0	0.83/0.82	217/180	7	2.2	2.4	1.2	76/79	318
YB2-225M-6-H	30	980/1176	57.6/50.3	92.0/92.0	0.86/0.85	292/244	7	2.1	2.4	1.2	76/79	387
YB2-250M-6-H	37	980/1176	71.1/62.1	92.0/92.0	0.86/0.85	361/300	7	2.1	2.4	1.2	78/81	458
YB2-280S-6-H	45	980/1176	85.7/75.1	92.5/92.5	0.86/0.85	439/365	7	2.1	2.4	1.1	80/83	606
YB2-280M-6-H	55	980/1176	105/91.5	92.8/92.8	0.86/0.85	536/447	7	2.1	2.2	1.1	80/83	745
YB2-315S-6-H	75	985/1182	142/124	93.5/93.5	0.86/0.85	727/606	7	2	2.0	1.0	85/88	894
YB2-315M-6-H	90	985/1182	170/148	93.8/93.8	0.86/0.85	873/727	7	2	2.0	1.0	85/88	981
YB2-315L1-6-H	110	985/1182	207/181	94.0/94.0	0.86/0.85	1067/889	7	2	2.0	1.0	85/88	1197
YB2-315L2-6-H	132	985/1182	245/214	94.2/94.2	0.87/0.86	1280/1066	7	2	2.0	1.0	85/88	1285
YB2-355S-6-H	160	985/1182	292/255	94.5/94.5	0.88/0.87	1551/1293	7	1.9	2.0	1.0	92/95	1507
YB2-355M1-6-H	185	985/1182	338/295	94.5/94.5	0.88/0.87	1794/1495	7	1.9	2.0	0.9	92/95	1884
YB2-355M2-6-H	200	985/1182	365/319	94.5/94.5	0.88/0.87	1939/1616	7	1.9	2.0	0.9	92/95	2138
YB2-355L1-6-H	220	985/1182	402/351	94.5/94.5	0.88/0.87	2133/1777	7	1.9	2.0	0.9	92/95	2861
YB2-355L2-6-H	250	985/1182	457/397	94.5/95	0.88/0.87	2424/2020	7	1.9	2.0	0.9	92/95	3168

#### 8 极 - 同步转速 750/900r/min 8-pole, 750/900r/min synchronous speed

380V/50HZ,440V/60HZ

电机型号	额定功率 kW	额定转速 r/min	额定电流 A	额定效率 $\eta$ %	功率因数 $\cos\phi$	额定转矩 Nm	堵转电流 额定电流	堵转转矩 额定转矩	最大转矩 额定转矩	最小转矩 额定转矩	空载噪音 dB(A)	重量 kg
Motor Type	Rated Power kW	Rated Speed r/min	Rated Current A	Rated Eff. $\eta$ %	Power Factor $\cos\phi$	Rated Torque Nm	$\frac{I_{st}}{I_n}$	$\frac{T_{st}}{T_n}$	$\frac{T_{max}}{T_n}$	$\frac{T_{min}}{T_n}$	LW dB(A) no load	Net Weight kg
YB2-80M1-8-H	0.18	710/852	0.8/0.7	52.0/53.0	0.61/0.60	2.4/2.0	3.3	1.8	1.9	1.3	52/54	26
YB2-80M2-8-H	0.25	710/852	1.1/1.0	55.0/56.0	0.61/0.60	3.4/2.8	3.3	1.8	1.9	1.3	52/54	28
YB2-90S-8-H	0.37	710/852	1.4/1.3	63.0/64.0	0.62/0.60	5.0/4.1	4	1.8	2.0	1.3	56/59	33
YB2-90L-8-H	0.55	710/852	2.1/1.8	64.0/65.0	0.63/0.61	7.4/6.2	4	1.8	2.0	1.3	56/59	39
YB2-100L1-8-H	0.75	710/852	2.4/2.1	71.0/72	0.68/0.66	10.1/8.4	4	1.8	2.0	1.3	59/62	47
YB2-100L2-8-H	1.1	710/852	3.3/2.9	73.0/74	0.69/0.67	14.8/12.3	4	1.8	2.0	1.2	59/62	51
YB2-112M-8-H	1.5	710/852	4.4/3.9	75.0/76.0	0.69/0.67	20.2/16.8	4	1.8	2.0	1.2	61/64	66
YB2-132S-8-H	2.2	710/852	5.6/5.2	79.0/80.0	0.73/0.70	29.6/24.7	5.5	1.8	2.2	1.2	64/67	84
YB2-132M-8-H	3	710/852	7.6/6.9	81.0/82.0	0.73/0.70	40.4/33.6	5.5	1.8	2.2	1.2	64/67	112
YB2-160M1-8-H	4	720/864	10.3/9.1	81.0/82.0	0.73/0.70	53.1/44.2	6	1.9	2.2	1.2	68/71	135
YB2-160M2-8-H	5.5	720/864	13.4/11.8	83.0/84.0	0.75/0.73	73.0/61	6	1.9	2.2	1.2	68/71	149
YB2-160L-8-H	7.5	720/864	17.5/15.5	85.0/86.0	0.76/0.74	99.5/83	6	1.9	2.2	1.2	68/71	153
YB2-180L-8-H	11	730/876	25.3/22.4	87.0/87.0	0.76/0.74	144/120	6	1.9	2.2	1.1	70/73	237
YB2-200L-8-H	15	730/876	33.7/29.9	89.0/89.0	0.76/0.74	196/164	6.5	2	2.2	1.1	73/76	276
YB2-225S-8-H	18.5	730/876	40/34.8	90.0/90.5	0.78/0.77	242/202	6.5	2	2.2	1.1	73/76	332
YB2-225M-8-H	22	730/876	47.4/41.4	90.5/90.5	0.78/0.77	288/240	6.5	2	2.2	1.1	73/76	376
YB2-250M-8-H	30	730/876	63.4/55.5	91.0/91.0	0.79/0.78	392/327	6.5	1.9	2.0	1.1	75/78	436
YB2-280S-8-H	37	740/888	77.8/68.0	91.5/91.5	0.79/0.78	478/398	6	1.8	2.0	1.1	76/79	587
YB2-280M-8-H	45	740/888	94.1/82.3	92.0/92.0	0.79/0.78	581/484	6	1.8	2.0	1.0	76/79	697
YB2-315S-8-H	55	740/888	111/97.2	92.8/92.8	0.81/0.80	710/591	6.5	1.8	2.0	1.0	82/85	865
YB2-315M-8-H	75	740/888	151/132	93.5/93.5	0.81/0.80	968/807	6.5	1.8	2.0	0.9	82/85	958
YB2-315L1-8-H	90	740/888	178/157	93.8/93.8	0.81/0.80	1161/968	6.5	1.8	2.0	0.9	82/85	1085
YB2-315L2-8-H	110	740/888	217/190	94.0/94.0	0.82/0.81	1420/1183	6.5	1.8	2.0	0.9	82/85	1234
YB2-355S-8-H	132	740/888	261/228	93.7/93.7	0.82/0.81	1704/1420	6.5	1.8	2.0	0.9	90/93	1312
YB2-355M-8-H	160	740/888	315/275	94.2/94.2	0.82/0.81	2065/1721	6.5	1.8	2.0	0.9	90/93	1928
YB2-355L1-8-H	185	740/888	364/318	94.2/94.2	0.82/0.81	2388/1990	6.5	1.8	2.0	0.9	90/93	2581
YB2-355L2-8-H	200	740/888	388/339	94.5/94.5	0.83/0.82	2581/2151	6.5	1.8	2.0	0.9	90/93	3152
10 极 - 同步转速 600/720r/min 10-pole, 600/720r/min synchronous speed						380V/50HZ,440V/60HZ						
YB2-315S-10-H	45	587/705	100/87	91.5/91.5	0.75/0.74	732/610	6	1.5	2.0	0.8	82/85	841
YB2-315M-10-H	55	587/705	121/106	92.0/92.0	0.75/0.74	895/745	6	1.5	2.0	0.8	82/85	925
YB2-315L1-10-H	75	587/705	162/142	92.5/92.5	0.76/0.75	1220/1016	6	1.5	2.0	0.8	82/85	1036
YB2-315L2-10-H	90	587/705	191/167	93.0/93.0	0.77/0.76	1464/1219	6	1.5	2.0	0.8	82/85	1164
YB2-355M1-10-H	110	587/705	230/201	93.2/93.2	0.78/0.77	1790/1490	5.5	1.3	2.0	0.8	90/93	1583
YB2-355M2-10-H	132	587/705	268/241	93.5/93.5	0.78/0.77	2148/1788	5.5	1.3	2.0	0.8	90/93	1969
YB2-355L1-10-H	160	587/705	334/292	93.5/93.5	0.78/0.77	2603/2167	5.5	1.3	2.0	0.8	90/93	2654
YB2-355L2-10-H	185	587/705	386/337	93.5/93.5	0.78/0.77	3010/2506	5.5	1.3	2.0	0.8	90/93	2962



## YKK 系列高压三相异步电动机 (6kV/10kV)

YKK SERIES HIGH VOLTAGE THREE PHASE ASYNCHRONOUS INDUCTION MOTOR(6KV/10KV)

**SUNVIM**  
— Electrical Machinery —  
孚日电机



### 详细说明

中心高: H355-710mm(6kV)、H450-710mm(10kV)  
额定输出功率: 185kW-4000kW、220 kW-2500kW  
电压和频率: 6kV /50Hz, 10kV /50Hz  
防护等级: IP44、IP54  
绝缘 / 温升等级: F  
安装形式: B3  
环境温度: -15°C ~+40°C  
冷却方式: IC611

### SPECIFICATION

Frame size: H355-710mm(6kV)、H450-710mm(10kV)  
Rated power: 185kW-4000kW、220 kW-2500kW  
Voltage and frequency: 6kV /50Hz, 10kV /50Hz  
Degrees of protection: IP44、IP54  
Degrees of insulation/Temperature rise: F  
Installation method: B3  
Ambient temperature: -15°C ~+40°C  
Cooling method: IC611

### 产品简介

YKK 系列高压三相异步电动机是鼠笼型转子三相异步电动机, 该系列电机防护等级为 IP44 或 IP54, 冷却方式为 IC611, 绝缘等级为 F 级, 安装形式为 IMB3, 额定电压为 6kV 或 10kV。

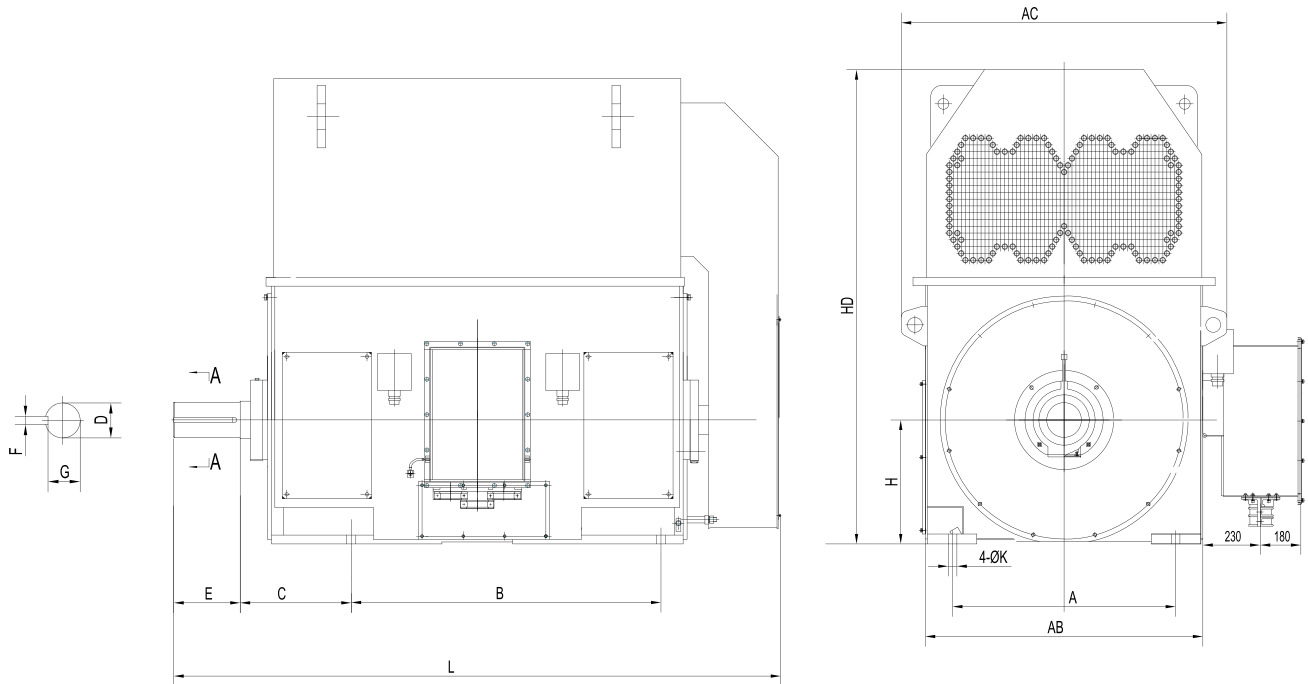
该系列电机采用箱式结构, 重量轻, 刚性好, 具有效率高, 噪声低, 振动小, 重量轻, 质量可靠, 安装维修方便等优点, 可广泛用于电站、水厂、石化、冶金、矿山等行业。

### PRODUCT INTRODUCTION

YKK series high voltage motor is totally enclosed squirrel-cage three phase asynchronous induction motor. The motor has protection class IP44 or IP54, cooling method IC611, insulation class F, and mounting arrangement IMB3. The rated voltage is 6kV or 10kV.

This series motor is designed to be a box-type with light weight and high rigidity. The motors have good features of high efficiency, low noise, low vibration, reliable performance, easy installation and maintenance. They are widely used in power station, water plant, petrochemical, metallurgy and mining industries.

## YKK 系列高压三相异步电动机 (6kV)



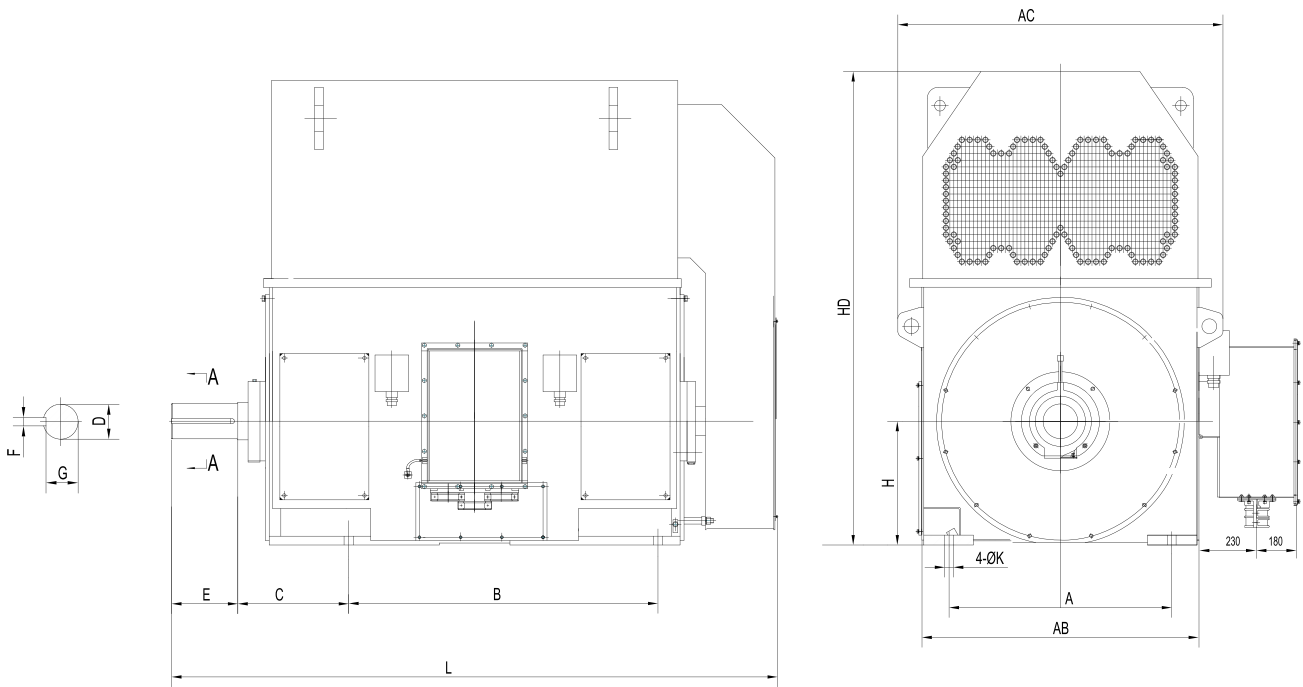
机座号	极数	A	B	C	D	E	F	G	H	K	AB	AC	HD	L
355	2	630	900	315	80	170	22	71	355	28	800	994	1480	2150
355	4	630	900	315	100	210	28	90	355	28	800	994	1480	2150
400	2	710	1000	375	90	170	25	81	400	35	900	1094	1490	2290
400	4-8	710	1000	335	110	210	28	100	400	35	900	1094	1490	2290
450	2	800	1120	400	100	210	28	90	450	35	980	1174	1750	2430
450	4	800	1120	355	120	210	32	109	450	35	980	1174	1550	2385
450	6-12	800	1120	355	130	250	32	119	450	35	980	1174	1550	2425
500	2	900	1250	560	110	210	28	100	500	42	1120	1314	1980	2630
500	4	900	1250	475	130	250	32	119	500	42	1120	1314	1780	2600
500	6-12	900	1250	475	140	250	36	128	500	42	1120	1314	1780	2600
560	2	1000	1400	560	130	250	32	119	560	42	1220	1410	2100	2780
560	4	1000	1400	500	150	250	36	138	560	42	1220	1410	1900	2780
560	6-12	1000	1400	500	160	300	40	147	560	42	1220	1410	1900	2780
630	2	1120	1600	560	140	250	36	128	630	48	1360	1620	2250	3040
630	4	1120	1600	530	170	300	40	157	630	48	1360	1620	2250	2975
630	6-12	1120	1600	530	180	300	45	165	630	48	1360	1620	2250	2975
710	2	1400	1800	530	160	300	40	147	710	56	1600	1860	2250	3490
710	4-16	1400	1800	530	200	350	45	185	710	56	1600	1860	2300	3550

型号	额定功率 kW	额定转速 r/min	额定电流 A	效率 %	功率因数 cos φ	堵转转矩 额定转矩	堵转电流 额定电流	最大转矩 额定转矩	重量 kg
YKK3551-2	220	2980	26.9	92.5	0.85	0.6	7.0	1.8	2470
YKK3552-2	250	2980	30.6	92.6	0.85	0.6	7.0	1.8	2700
YKK3553-2	280	2980	34.2	92.8	0.85	0.6	7.0	1.8	2730
YKK3554-2	315	2980	38.3	93.1	0.85	0.6	7.0	1.8	2750
YKK4002-2	355	2980	42.5	93.4	0.86	0.6	7.0	1.8	3540
YKK4003-2	400	2980	47.8	93.7	0.86	0.6	7.0	1.8	3570
YKK4004-2	450	2980	53.6	94.0	0.86	0.6	7.0	1.8	3590
YKK4005-2	500	2980	59.4	94.2	0.86	0.6	7.0	1.8	3620
YKK4502-2	560	2980	66.4	94.4	0.86	0.6	7.0	1.8	4325
YKK4503-2	630	2980	73.7	94.6	0.87	0.6	7.0	1.8	4300
YKK4504-2	710	2980	82.9	94.7	0.87	0.6	7.0	1.8	4365
YKK4505-2	800	2980	93.3	94.8	0.87	0.6	7.0	1.8	4430
YKK5001-2	900	2980	105	95.0	0.87	0.6	7.0	1.8	5310
YKK5002-2	1000	2980	116	95.1	0.87	0.6	7.0	1.8	5510
YKK5003-2	1120	2980	130	95.2	0.87	0.6	7.0	1.8	5710
YKK5004-2	1250	2980	145	95.3	0.87	0.6	7.0	1.8	5910
YKK5601-2	1400	2980	161	95.4	0.88	0.6	7.0	1.8	6700
YKK5602-2	1600	2980	183	95.5	0.88	0.6	7.0	1.8	7100
YKK5603-2	1800	2980	206	95.6	0.88	0.6	7.0	1.8	7500
YKK6301-2	2000	2980	229	95.7	0.88	0.6	7.0	1.8	9700
YKK6302-2	2240	2980	256	95.8	0.88	0.6	7.0	1.8	9800
YKK6303-2	2500	2980	285	95.9	0.88	0.6	7.0	1.8	10020
YKK7101-2	2800	2980	315	96.0	0.89	0.6	7.0	1.8	14370
YKK7102-2	3150	2980	354	96.1	0.89	0.6	7.0	1.8	14690
YKK7103-2	3550	2980	399	96.2	0.89	0.6	7.0	1.8	15230
YKK7104-2	4000	2980	449	96.3	0.89	0.6	7.0	1.8	15450
YKK3551-4	185	1490	22.6	92.8	0.85	0.7	6.5	1.8	2280
YKK3552-4	200	1490	24.4	92.9	0.85	0.7	6.5	1.8	2325
YKK3553-4	220	1490	26.8	93.0	0.85	0.7	6.5	1.8	2390
YKK3554-4	250	1490	30.4	93.1	0.85	0.7	6.5	1.8	2450
YKK4002-4	280	1490	33.6	93.2	0.86	0.7	6.5	1.8	3780
YKK4003-4	315	1490	37.8	93.3	0.86	0.7	6.5	1.8	3845
YKK4004-4	355	1490	42.5	93.5	0.86	0.7	6.5	1.8	3925
YKK4005-4	400	1490	47.8	93.7	0.86	0.7	6.5	1.8	4050
YKK4006-4	450	1490	53.6	93.9	0.86	0.7	6.5	1.8	4160
YKK4502-4	500	1490	59.5	94.0	0.86	0.7	6.5	1.8	4370
YKK4503-4	560	1490	66.5	94.2	0.86	0.7	6.5	1.8	4460
YKK4504-4	630	1490	74.7	94.4	0.86	0.7	6.5	1.8	4530
YKK4505-4	710	1490	84.0	94.6	0.86	0.7	6.5	1.8	4680
YKK5001-4	800	1490	93.3	94.8	0.87	0.7	6.5	1.8	5500
YKK5002-4	900	1490	105	94.9	0.87	0.7	6.5	1.8	5830
YKK5003-4	1000	1490	116	95.0	0.87	0.7	6.5	1.8	6025
YKK5004-4	1120	1490	130	95.1	0.87	0.7	6.5	1.8	6235
YKK5601-4	1250	1490	144	95.2	0.88	0.6	6.5	1.8	7150
YKK5602-4	1400	1490	161	95.3	0.88	0.6	6.5	1.8	8100
YKK5603-4	1600	1490	183	95.4	0.88	0.6	6.5	1.8	9050
YKK6301-4	1800	1490	206	95.5	0.88	0.6	6.5	1.8	11250

型号	额定功率 kW	额定转速 r/min	额定电流 A	效率 %	功率因数 cos φ	堵转转矩 额定转矩	堵转电流 额定电流	最大转矩 额定转矩	重量 kg
YKK6302-4	2000	1490	228.8	95.6	0.88	0.6	6.5	1.8	12220
YKK6303-4	2240	1490	255.9	95.7	0.88	0.6	6.5	1.8	13100
YKK7101-4	2500	1490	291.1	96.1	0.86	0.5	7.0	1.8	14870
YKK7102-4	2800	1490	325.7	96.2	0.86	0.5	7.0	1.8	15300
YKK7103-4	3150	1490	361.8	96.3	0.87	0.5	7.0	1.8	15500
YKK7104-4	3550	1490	407.7	96.3	0.87	0.5	7.0	1.8	15970
YKK4001-6	185	990	23.5	92.4	0.82	0.7	6.0	1.8	2470
YKK4002-6	200	990	25.3	92.6	0.82	0.7	6.0	1.8	2520
YKK4003-6	220	990	27.8	92.8	0.82	0.7	6.0	1.8	3860
YKK4004-6	250	990	31.5	93.0	0.82	0.7	6.0	1.8	3900
YKK4005-6	280	990	35.2	93.3	0.82	0.7	6.0	1.8	3950
YKK4006-6	315	990	39.5	93.5	0.82	0.7	6.0	1.8	4060
YKK4502-6	355	990	43.9	93.7	0.83	0.7	6.0	1.8	4300
YKK4503-6	400	990	49.4	93.8	0.83	0.7	6.0	1.8	4350
YKK4504-6	450	990	55.4	94.1	0.83	0.7	6.0	1.8	4470
YKK4505-6	500	990	61.5	94.3	0.83	0.7	6.0	1.8	4600
YKK5001-6	560	990	68.0	94.4	0.84	0.7	6.0	1.8	5515
YKK5002-6	630	990	76.4	94.5	0.84	0.7	6.0	1.8	5590
YKK5003-6	710	990	85.8	94.8	0.84	0.7	6.0	1.8	5810
YKK5004-6	800	990	96.6	94.9	0.84	0.7	6.0	1.8	6010
YKK5601-6	900	990	107	95.0	0.85	0.7	6.5	1.8	7650
YKK5602-6	1000	990	119	95.1	0.85	0.7	6.5	1.8	7780
YKK5603-6	1120	990	133	95.2	0.85	0.7	6.5	1.8	7900
YKK6301-6	1250	990	147	95.3	0.86	0.7	6.5	1.8	8730
YKK6302-6	1400	990	164	95.4	0.86	0.7	6.5	1.8	11250
YKK6303-6	1600	990	188	95.5	0.86	0.7	6.5	1.8	10250
YKK7101-6	1800	990	213	95.8	0.85	0.5	7.0	1.8	14880
YKK7102-6	2000	990	236	95.9	0.85	0.5	7.0	1.8	15230
YKK7103-6	2240	990	264	96.0	0.85	0.5	7.0	1.8	15670
YKK7104-6	2500	990	295	96.1	0.85	0.5	7.0	1.8	15880
YKK4004-8	185	740	24.7	92.5	0.78	0.8	5.5	1.8	3830
YKK4005-8	200	740	26.6	92.7	0.78	0.8	5.5	1.8	3890
YKK4006-8	220	740	29.2	92.9	0.78	0.8	5.5	1.8	3940
YKK4502-8	250	740	32.7	93.0	0.79	0.8	5.5	1.8	4110
YKK4503-8	280	740	36.6	93.2	0.79	0.8	5.5	1.8	4200
YKK4504-8	315	740	41.1	93.4	0.79	0.8	5.5	1.8	4330
YKK4505-8	355	740	46.2	93.5	0.79	0.8	5.5	1.8	4460
YKK5001-8	400	740	51.3	93.7	0.80	0.8	5.5	1.8	5265
YKK5002-8	450	740	57.7	93.8	0.8	0.8	5.5	1.8	5425
YKK5003-8	500	740	63.8	94.2	0.8	0.8	5.5	1.8	5605
YKK5004-8	560	740	71.4	94.4	0.8	0.8	5.5	1.8	5775
YKK5601-8	630	740	78.2	94.5	0.82	0.7	6.0	1.8	6850
YKK5602-8	710	740	88.1	94.6	0.82	0.7	6.0	1.8	7050
YKK5603-8	800	740	99.1	94.7	0.82	0.7	6.0	1.8	7300
YKK6301-8	900	740	109	94.8	0.84	0.7	6.0	1.8	8270
YKK6302-8	1000	740	121	94.9	0.84	0.7	6.0	1.8	8675
YKK6303-8	1120	740	135	95.0	0.84	0.7	6.0	1.8	9080

型号	额定功率 kW	额定转速 r/min	额定电流 A	效率 %	功率因数 cos φ	堵转转矩 额定转矩	堵转电流 额定电流	最大转矩 额定转矩	重量 kg
YKK6304-8	1250	740	150.6	95.1	0.84	0.7	6.0	1.8	9485
YKK7101-8	1400	740	168.5	95.2	0.84	0.6	7.0	1.8	14780
YKK7102-8	1600	740	192.3	95.3	0.84	0.6	7.0	1.8	15300
YKK7103-8	1800	740	216.1	95.4	0.84	0.6	7.0	1.8	15570
YKK4501-10	185	590	25.9	91.7	0.75	0.8	5.5	1.8	4080
YKK4502-10	200	590	27.9	91.9	0.75	0.8	5.5	1.8	4130
YKK4503-10	220	590	30.6	92.1	0.75	0.8	5.5	1.8	4210
YKK4504-10	250	590	34.8	92.3	0.75	0.8	5.5	1.8	4280
YKK4505-10	280	590	38.8	92.5	0.75	0.8	5.5	1.8	4520
YKK5001-10	315	590	43.0	92.8	0.76	0.8	5.5	1.8	5280
YKK5002-10	355	590	48.3	93.0	0.76	0.8	5.5	1.8	5375
YKK5003-10	400	590	54.3	93.3	0.76	0.8	5.5	1.8	5540
YKK5004-10	450	590	61.0	93.4	0.76	0.8	5.5	1.8	5700
YKK5601-10	500	590	65.9	93.6	0.78	0.7	6.0	1.8	5895
YKK5602-10	560	590	73.7	93.7	0.78	0.7	6.0	1.8	8100
YKK5603-10	630	590	82.9	93.8	0.78	0.7	6.0	1.8	8150
YKK5604-10	710	590	93.2	94.0	0.78	0.7	6.0	1.8	8300
YKK6301-10	800	590	102.2	94.2	0.80	0.7	6.0	1.8	9250
YKK6302-10	900	590	114.8	94.3	0.80	0.7	6.0	1.8	9550
YKK6303-10	1000	590	127.4	94.4	0.80	0.7	6.0	1.8	9850
YKK6304-10	1120	590	142.4	94.6	0.80	0.7	6.0	1.8	10400
YKK7101-10	1250	590	152.9	94.8	0.83	0.6	6.5	1.8	15350
YKK7102-10	1400	590	171	94.9	0.83	0.6	6.5	1.8	15780
YKK7103-10	1600	590	195	95.0	0.83	0.6	6.5	1.8	15890
YKK4504-12	185	495	27.7	91.8	0.70	0.8	5.5	1.8	4350
YKK4505-12	200	495	29.9	92.0	0.70	0.8	5.5	1.8	4370
YKK5001-12	220	495	31.9	92.2	0.72	0.8	5.5	1.8	5220
YKK5002-12	250	495	36.1	92.5	0.72	0.8	5.5	1.8	5395
YKK5003-12	280	495	40.4	92.7	0.72	0.8	5.5	1.8	5555
YKK5004-12	315	495	45.4	92.8	0.72	0.8	5.5	1.8	5815
YKK5601-12	355	495	49.6	93.0	0.74	0.7	6.0	1.8	6075
YKK5602-12	400	495	55.8	93.3	0.74	0.7	6.0	1.8	6200
YKK5603-12	450	495	62.7	93.4	0.74	0.7	6.0	1.8	7340
YKK5604-12	500	495	69.4	93.7	0.74	0.7	6.0	1.8	7620
YKK6301-12	560	495	75.6	93.8	0.76	0.7	6.0	1.8	7900
YKK6302-12	630	495	84.9	93.9	0.76	0.7	6.0	1.8	10700
YKK6303-12	710	495	95.6	94.0	0.76	0.7	6.0	1.8	10980
YKK6304-12	800	495	107.5	94.2	0.76	0.7	6.0	1.8	11260
YKK7101-12	900	495	116	94.4	0.79	0.6	6.5	1.8	15420
YKK7102-12	1000	495	129	94.4	0.79	0.6	6.5	1.8	15750
YKK7103-12	1120	495	144.4	94.5	0.79	0.6	6.5	1.8	15980
YKK7101-16	500	370	71.0	92.8	0.73	0.6	6.5	1.8	15350
YKK7102-16	560	370	79.5	92.9	0.73	0.6	6.5	1.8	15600
YKK7103-16	630	370	89.3	93.0	0.73	0.6	6.5	1.8	15800
YKK7104-16	710	370	100.4	93.2	0.73	0.6	6.5	1.8	16000

**YKK 系列高压三相异步电动机 (10kV)**



机座号	极数	A	B	C	D	E	F	G	H	K	AB	AC	HD	L
450	2	800	1120	400	90	170	25	81	450	35	980	1174	1630	2390
450	4	800	1120	355	110	210	28	100	450	35	980	1174	1630	2390
450	6	800	1120	355	110	210	28	100	450	35	980	1174	1550	2390
500	2	900	1250	560	100	210	28	90	500	42	1120	1314	1980	2645
500	4	900	1250	475	120	210	32	109	500	42	1120	1314	1980	2560
500	6-10	900	1250	475	130	250	32	119	500	42	1120	1314	1780	2600
560	2	1000	1400	560	130	250	32	119	560	42	1220	1410	2100	2780
560	4	1000	1400	500	150	250	36	138	560	42	1220	1410	2100	2780
560	6-12	1000	1400	500	160	300	40	147	560	42	1220	1410	1900	2780
630	2	1120	1600	560	140	250	36	128	630	48	1360	1620	2250	3040
630	4	1120	1600	530	170	300	40	157	630	48	1360	1620	2250	2975
630	6-12	1120	1600	530	180	300	45	165	630	48	1360	1620	2250	2975
710	2	1400	1800	530	160	300	40	147	710	56	1600	1860	2250	3490
710	4-16	1400	1800	530	200	350	45	185	710	56	1600	1860	2300	3550

型号	额定功率 kW	额定转速 r/min	额定电流 A	效率 %	功率因数 cos φ	堵转转矩 额定转矩	堵转电流 额定电流	最大转矩 额定转矩	重量 kg
YKK4501-2	220	2980	15.7	92.7	0.87	0.6	7.0	1.8	3100
YKK4502-2	250	2980	17.9	92.8	0.87	0.6	7.0	1.8	3300
YKK4503-2	280	2980	20.0	92.9	0.87	0.6	7.0	1.8	3500
YKK4504-2	315	2980	22.4	93.2	0.87	0.6	7.0	1.8	3800
YKK4505-2	355	2980	25.2	93.5	0.87	0.6	7.0	1.8	3850
YKK4506-2	400	2980	28.3	93.8	0.87	0.6	7.0	1.8	3950
YKK4507-2	450	2980	31.8	94.0	0.87	0.6	7.0	1.8	4050
YKK4508-2	500	2980	35.3	94.1	0.87	0.6	7.0	1.8	4300
YKK5004-2	560	2980	39.4	94.3	0.87	0.6	7.0	1.8	5770
YKK5005-2	630	2980	44.3	94.4	0.87	0.6	7.0	1.8	5910
YKK5006-2	710	2980	49.3	94.5	0.88	0.6	7.0	1.8	6050
YKK5007-2	800	2980	55.5	94.6	0.88	0.6	7.0	1.8	6300
YKK5008-2	900	2980	62.4	94.7	0.88	0.6	7.0	1.8	6450
YKK5601-2	1000	2980	69.2	94.8	0.88	0.6	7.0	1.8	7000
YKK5602-2	1120	2980	77.4	95.0	0.88	0.6	7.0	1.8	7200
YKK5603-2	1250	2980	85.2	95.2	0.89	0.6	7.0	1.8	7400
YKK6301-2	1400	2980	95.3	95.3	0.89	0.6	7.0	1.8	9200
YKK6302-2	1600	2980	108.8	95.4	0.89	0.6	7.0	1.8	9500
YKK6303-2	1800	2980	122.3	95.5	0.89	0.6	7.0	1.8	10000
YKK7101-2	2000	2980	135.6	95.7	0.89	0.6	7.0	1.8	11850
YKK7102-2	2240	2980	151.7	95.8	0.89	0.6	7.0	1.8	12350
YKK7103-2	2500	2980	169.1	95.9	0.89	0.6	7.0	1.8	12600
YKK4501-4	220	1490	16.0	92.5	0.86	0.7	7.0	1.8	3540
YKK4502-4	250	1490	18.1	92.6	0.86	0.7	7.0	1.8	3770
YKK4503-4	280	1490	20.3	92.7	0.86	0.7	7.0	1.8	3870
YKK4504-4	315	1490	22.8	92.9	0.86	0.7	7.0	1.8	3900
YKK4505-4	355	1490	25.6	93.1	0.86	0.7	7.0	1.8	4210
YKK4506-4	400	1490	28.8	93.3	0.86	0.7	7.0	1.8	4310
YKK4507-4	450	1490	32.2	93.7	0.86	0.7	7.0	1.8	4500
YKK4508-4	500	1490	35.8	93.8	0.86	0.7	7.0	1.8	4920
YKK5004-4	560	1490	40.0	94.0	0.86	0.7	7.0	1.8	5670
YKK5005-4	630	1490	44.9	94.2	0.86	0.7	7.0	1.8	5860
YKK5006-4	710	1490	49.7	94.8	0.87	0.7	7.0	1.8	6040
YKK5007-4	800	1490	55.9	94.9	0.87	0.7	7.0	1.8	6070
YKK5008-4	900	1490	62.2	95.0	0.88	0.7	7.0	1.8	6630
YKK5601-4	1000	1490	69.6	95.1	0.88	0.7	7.0	1.8	6900
YKK5602-4	1120	1490	77.2	95.2	0.88	0.7	7.0	1.8	7100
YKK5603-4	1250	1490	85.1	95.3	0.89	0.7	7.0	1.8	7300
YKK6301-4	1400	1490	95.1	95.5	0.89	0.6	7.0	1.8	10500

型号	额定功率 kW	额定转速 r/min	额定电流 A	效率 %	功率因数 cos φ	堵转转矩 额定转矩	堵转电流 额定电流	最大转矩 额定转矩	重量 kg
YKK6302-4	1600	1490	108.6	95.6	0.89	0.6	7.0	1.8	11000
YKK6303-4	1800	1490	122	95.7	0.89	0.6	7.0	1.8	12200
YKK7101-4	2000	1490	140.6	95.5	0.86	0.5	6.5	1.8	12850
YKK7102-4	2240	1490	157.3	95.6	0.86	0.5	6.5	1.8	13100
YKK7103-4	2500	1490	175.4	95.7	0.86	0.5	6.5	1.8	13640
YKK4504-6	220	990	16.8	92.1	0.82	0.7	6.0	1.8	4100
YKK4505-6	250	990	19.1	92.2	0.82	0.7	6.0	1.8	4220
YKK4506-6	280	990	21.3	92.4	0.82	0.7	6.0	1.8	4430
YKK4507-6	315	990	24.0	92.6	0.82	0.7	6.0	1.8	4570
YKK4508-6	355	990	26.6	92.9	0.83	0.7	6.0	1.8	4600
YKK5004-6	400	990	29.9	93.1	0.83	0.7	6.0	1.8	5450
YKK5005-6	450	990	33.6	93.3	0.83	0.7	6.0	1.8	5710
YKK5006-6	500	990	37.1	93.7	0.83	0.7	6.0	1.8	5890
YKK5007-6	560	990	41.0	93.9	0.84	0.7	6.0	1.8	6120
YKK5008-6	630	990	46.0	94.2	0.84	0.7	6.0	1.8	6680
YKK5601-6	710	990	51.7	94.4	0.84	0.7	6.5	1.8	6950
YKK5602-6	800	990	58.2	94.5	0.84	0.7	6.5	1.8	7300
YKK5603-6	900	990	64.6	94.7	0.85	0.7	6.5	1.8	7400
YKK5604-6	1000	990	71.6	94.9	0.85	0.7	6.5	1.8	7700
YKK6301-6	1120	990	80.0	95.1	0.85	0.6	6.5	1.8	9400
YKK6302-6	1250	990	88.2	95.2	0.86	0.6	6.5	1.8	10400
YKK6303-6	1400	990	98.4	95.5	0.86	0.6	6.5	1.8	16500
YKK7101-6	1600	990	119.2	94.5	0.82	0.6	6.5	1.8	13900
YKK7102-6	1800	990	134	94.6	0.82	0.6	6.5	1.8	14250
YKK7103-6	2000	990	148.7	94.7	0.82	0.6	6.5	1.8	15010
YKK5002-8	220	740	18.1	92.1	0.76	0.7	6.0	1.8	5250
YKK5003-8	250	740	20.6	92.2	0.76	0.7	6.0	1.8	5440
YKK5004-8	280	740	23.0	92.4	0.76	0.7	6.0	1.8	5670
YKK5005-8	315	740	25.5	92.6	0.77	0.7	6.0	1.8	5710
YKK5006-8	355	740	28.7	92.9	0.77	0.7	6.0	1.8	5770
YKK5007-8	400	740	31.8	93.0	0.78	0.7	6.0	1.8	5830
YKK5008-8	450	740	35.7	93.2	0.78	0.7	6.0	1.8	6370
YKK5601-8	500	740	39	93.6	0.79	0.7	6.0	1.8	7200
YKK5602-8	560	740	43.7	93.7	0.79	0.7	6.0	1.8	7300
YKK5603-8	630	740	47.1	94.2	0.82	0.7	6.0	1.8	7400
YKK5604-8	710	740	53.0	94.4	0.82	0.7	6.0	1.8	7500
YKK6301-8	800	740	59.6	94.5	0.82	0.7	6.0	1.8	9300
YKK6302-8	900	740	67.0	94.6	0.82	0.7	6.0	1.8	9800
YKK6303-8	1000	740	73.4	94.8	0.83	0.7	6.0	1.8	10000



型号	额定功率 kW	额定转速 r/min	额定电流 A	效率 %	功率因数 cos φ	堵转转矩 额定转矩	堵转电流 额定电流	最大转矩 额定转矩	重量 kg
YKK7101-8	1120	740	86.1	93.9	0.80	0.6	6.5	1.8	14370
YKK7102-8	1250	740	96.0	94.0	0.80	0.6	6.5	1.8	15250
YKK7103-8	1400	740	107.4	94.1	0.80	0.6	6.5	1.8	15560
YKK7104-8	1600	740	122.6	94.2	0.8	0.6	6.5	1.8	15700
YKK5005-10	220	590	19.0	91.8	0.73	0.7	5.5	1.8	5770
YKK5006-10	250	590	21.5	92.0	0.73	0.7	5.5	1.8	5940
YKK5007-10	280	590	23.7	92.2	0.74	0.7	5.5	1.8	6130
YKK5008-10	315	590	26.6	92.4	0.74	0.7	5.5	1.8	6200
YKK5601-10	355	590	29.5	92.6	0.75	0.7	6.0	1.8	6700
YKK5602-10	400	590	33.2	92.8	0.75	0.7	6.0	1.8	6900
YKK5603-10	450	590	36.3	93.0	0.77	0.7	6.0	1.8	7100
YKK5604-10	500	590	40.2	93.2	0.77	0.7	6.0	1.8	7300
YKK5605-10	560	590	44.4	93.3	0.78	0.7	6.0	1.8	7500
YKK6301-10	630	590	49.9	93.5	0.78	0.7	6.0	1.8	9400
YKK6302-10	710	590	54.7	93.7	0.80	0.7	6.0	1.8	9650
YKK6303-10	800	590	61.4	94.1	0.80	0.7	6.0	1.8	9850
YKK6304-10	900	590	68.9	94.3	0.80	0.7	6.0	1.8	10500
YKK7101-10	1000	590	79.1	93.6	0.78	0.6	6.0	1.8	14780
YKK7102-10	1120	590	88.5	93.7	0.78	0.6	6.0	1.8	15320
YKK7103-10	1250	590	98.6	93.8	0.78	0.6	6.0	1.8	15650
YKK5601-12	220	495	19.8	91.6	0.70	0.7	6.0	1.8	6600
YKK5602-12	250	495	22.5	91.7	0.70	0.7	6.0	1.8	6700
YKK5603-12	280	495	24.4	91.9	0.72	0.7	6.0	1.8	6900
YKK5604-12	315	495	27.4	92.1	0.72	0.7	6.0	1.8	7100
YKK5605-12	355	495	30.8	92.3	0.72	0.7	6.0	1.8	7300
YKK5606-12	400	495	34.7	92.5	0.72	0.7	6.0	1.8	7500
YKK6301-12	450	495	38.4	92.7	0.73	0.7	6.0	1.8	9400
YKK6302-12	500	495	42.5	93.0	0.73	0.7	6.0	1.8	9650
YKK6303-12	560	495	47.5	93.3	0.73	0.7	6.0	1.8	9850
YKK6304-12	630	495	53.3	93.5	0.73	0.7	6.0	1.8	10500
YKK7101-12	710	495	60.4	93.0	0.73	0.6	6.0	1.8	14740
YKK7102-12	800	495	68.0	93.1	0.73	0.6	6.0	1.8	15150
YKK7103-12	900	495	76.4	93.2	0.73	0.6	6.0	1.8	15580
YKK7101-16	355	370	30.4	92.5	0.73	0.6	6.0	1.8	14930
YKK7102-16	400	370	34.2	92.6	0.73	0.6	6.0	1.8	14250
YKK7103-16	450	370	38.4	92.7	0.73	0.6	6.0	1.8	14840
YKK7104-16	500	370	42.6	92.8	0.73	0.6	6.0	1.8	15100



## 产品简介

Y 系列高压三相异步电动机是鼠笼型转子三相异步电动机, 该系列电机防护等级为 IP23, 冷却方式为 IC01, 绝缘等级为 F 级, 安装形式为 IMB3, 额定电压为 6kV 或 10kV。

该系列电机采用箱式结构, 重量轻, 刚性好, 具有效率高, 噪声低, 振动小, 重量轻, 质量可靠, 安装维修方便等优点, 可广泛用于电站、水厂、石化、冶金、矿山等行业。

## PRODUCT INTRODUCTION

Y Series high voltage motor is squirrel-cage three phase asynchronous induction motor. The motor has protection class IP23, cooling method IC01, insulation class F, and mounting arrangement IMB3. The rated voltage is 6kV or 10kV.

This series motor is designed to be a box-type with light weight and high rigidity. The motors have good features of high efficiency, low noise, low vibration, reliable performance, easy installation and maintenance. They are widely used in power station, water plant, petrochemical, metallurgy and mining industries.

## 详细说明

中心高: H355-710mm(6kV)、H450-710mm(10kV)

额定输出功率: 220kW-5000kW、250 kW-3550kW

电压和频率: 6kV /50Hz, 10kV /50Hz

防护等级: IP23

绝缘 / 温升等级: F

安装形式: B3

环境温度: -15°C ~+40°C

冷却方式: IC01

## SPECIFICATION

Frame size: H355-710mm(6kV), H450-710mm(10kV)

Rated power: 220kW-5000kW、250 kW-3550kW

Voltage and frequency: 6kV /50Hz, 10kV /50Hz

Degrees of protection: IP23

Degrees of insulation/Temperature rise: F

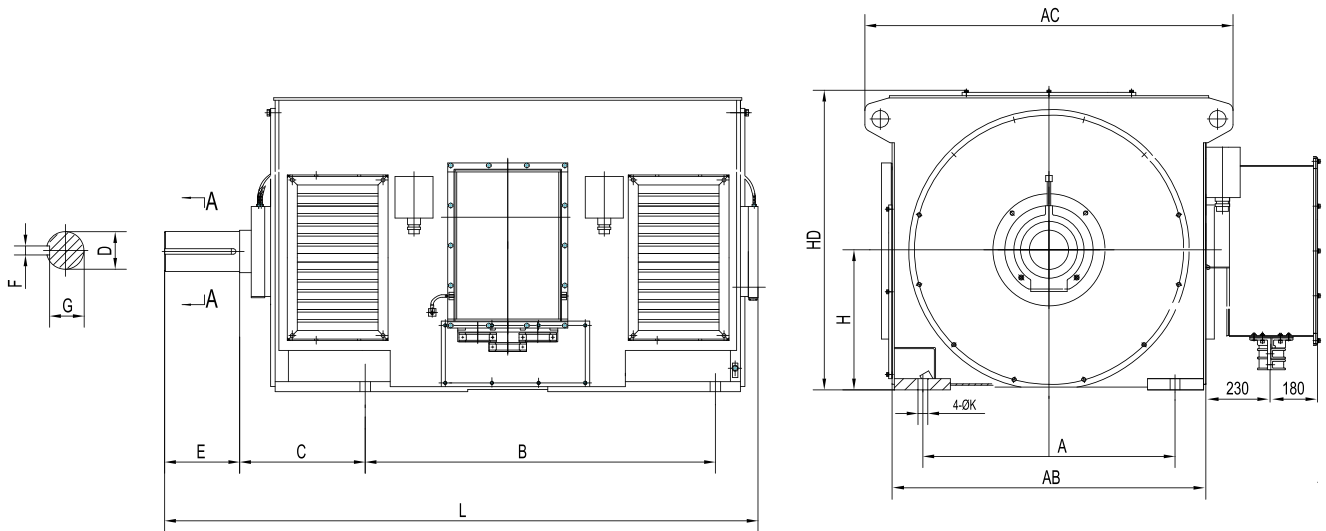
Installation method: B3

Ambient temperature: -15°C ~+40°C

Cooling method: IC01



## Y 系列高压三相异步电动机 (6kV)



机座号	极数	A	B	C	D	E	F	G	H	K	AB	AC	HD	L
355	2	630	900	315	80	170	22	71	355	28	800	994	860	1720
355	4-6	630	900	315	100	210	28	90	355	28	800	994	860	1760
400	2	710	1000	375	90	170	25	81	400	35	900	1094	880	1900
400	4-8	710	1000	335	110	210	28	100	400	35	900	1094	880	1900
450	2	800	1120	400	100	210	28	90	450	35	980	1174	980	2080
450	4	800	1120	355	120	210	32	109	450	35	980	1174	980	2030
450	6-12	800	1120	355	130	250	32	119	450	35	980	1174	980	2070
500	2	900	1250	560	110	210	28	100	500	42	1120	1314	1670	2300
500	4	900	1250	475	130	250	32	119	500	42	1120	1314	1080	2230
500	6-12	900	1250	475	140	250	36	128	500	42	1120	1314	1080	2230
560	2	1000	1400	560	130	250	32	119	560	42	1220	1410	1850	2520
560	4	1000	1400	500	150	250	36	138	560	42	1220	1410	1210	2350
560	6-12	1000	1400	500	160	300	40	147	560	42	1220	1410	1210	2400
630	2	1120	1600	560	140	250	36	128	630	48	1360	1620	2040	2700
630	4	1120	1600	530	170	300	40	157	630	48	1360	1620	1330	2620
630	6-12	1120	1600	530	180	300	45	165	630	48	1360	1620	1330	2620
710	2	1400	1800	530	160	300	40	147	710	56	1600	1860	2310	3150
710	4-16	1400	1800	530	200	350	45	185	710	56	1600	1860	1530	3900

**6kV 性能参数**

## 6KV PERFORMANCE PARAMETERS

型号	额定功率 kW	额定转速 r/min	额定电流 A	效率 %	功率因数 cos φ	堵转转矩 额定转矩	堵转电流 额定电流	最大转矩 额定转矩	重量 kg
Y3551-2	220	2980	26.5	92.8	0.86	0.6	7.0	1.8	1580
Y3552-2	250	2980	30.1	92.9	0.86	0.6	7.0	1.8	1620
Y3553-2	280	2980	33.7	93.1	0.86	0.6	7.0	1.8	1650
Y3554-2	315	2980	37.7	93.4	0.86	0.6	7.0	1.8	1700
Y3555-2	355	2980	42.4	93.7	0.86	0.6	7.0	1.8	1750
Y3556-2	400	2980	47.6	94.1	0.86	0.6	7.0	1.8	1800
Y4001-2	450	2980	53.3	94.4	0.86	0.6	7.0	1.8	2230
Y4002-2	500	2980	58.5	94.6	0.87	0.6	7.0	1.8	2280
Y4003-2	560	2980	65.4	94.7	0.87	0.6	7.0	1.8	2340
Y4004-2	630	2980	73.4	94.9	0.87	0.6	7.0	1.8	2390
Y4501-2	710	2980	82.7	95.0	0.87	0.6	7.0	1.8	3167
Y4502-2	800	2980	92.9	95.2	0.87	0.6	7.0	1.8	3332
Y4503-2	900	2980	105	95.3	0.87	0.6	7.0	1.8	3480
Y4504-2	1000	2980	115	95.4	0.88	0.6	7.0	1.8	3588
Y5001-2	1120	2980	128	95.5	0.88	0.6	7.0	1.8	4100
Y5002-2	1250	2980	143	95.6	0.88	0.6	7.0	1.8	4200
Y5003-2	1400	2980	160	95.7	0.88	0.6	7.0	1.8	4340
Y5004-2	1600	2980	183	95.8	0.88	0.6	7.0	1.8	4450
Y5601-2	1800	2980	205	95.9	0.88	0.6	7.0	1.8	6320
Y5602-2	2000	2980	228	96.0	0.88	0.6	7.0	1.8	6480
Y5603-2	2240	2980	255	96.1	0.88	0.6	7.0	1.8	6560
Y6301-2	2500	2980	281	96.2	0.89	0.6	7.0	1.8	8560
Y6302-2	2800	2980	314	96.3	0.89	0.6	7.0	1.8	8670
Y6303-2	3150	2980	354	96.3	0.89	0.6	7.0	1.8	8840
Y7101-2	3550	2980	399	96.3	0.89	0.6	7.0	1.8	11800
Y7102-2	4000	2980	449	96.4	0.89	0.6	7.0	1.8	12400
Y7103-2	4500	2980	504	96.5	0.89	0.6	7.0	1.8	12700
Y7104-2	5000	2980	560	96.6	0.89	0.6	7.0	1.8	12900
Y3553-4	220	1480	26.7	93.3	0.85	0.8	6.5	1.8	1690
Y3554-4	250	1480	30.3	93.4	0.85	0.8	6.5	1.8	1720
Y3555-4	280	1480	33.5	93.5	0.86	0.8	6.5	1.8	1810
Y3556-4	315	1480	37.7	93.6	0.86	0.8	6.5	1.8	1860
Y4001-4	355	1485	42.3	93.8	0.86	0.8	6.5	1.8	2238
Y4002-4	400	1485	47.6	94.0	0.86	0.8	6.5	1.8	2363
Y4003-4	450	1485	53.5	94.2	0.86	0.8	6.5	1.8	2429
Y4004-4	500	1485	58.6	94.3	0.87	0.8	6.5	1.8	2499
Y4005-4	560	1485	65.5	94.5	0.87	0.8	6.5	1.8	2621
Y4501-4	630	1490	73.5	94.8	0.87	0.8	6.5	1.8	3143
Y4502-4	710	1490	82.7	95.0	0.87	0.8	6.5	1.8	3290
Y4503-4	800	1490	93.0	95.1	0.87	0.8	6.5	1.8	3449
Y4504-4	900	1490	105	95.2	0.87	0.8	6.5	1.8	3593
Y5001-4	1000	1490	116	95.3	0.87	0.7	6.5	1.8	4450
Y5002-4	1120	1490	128	95.4	0.88	0.7	6.5	1.8	4500
Y5003-4	1250	1490	143	95.5	0.88	0.7	6.5	1.8	4700
Y5004-4	1400	1490	160	95.6	0.88	0.7	6.5	1.8	4960
Y5601-4	1600	1490	181	95.7	0.89	0.6	6.5	1.8	6350
Y5602-4	1800	1490	203	95.8	0.89	0.6	6.5	1.8	6580



# 6kV 性能参数

## 6KV PERFORMANCE PARAMETERS

型号	额定功率 kW	额定转速 r/min	额定电流 A	效率 %	功率因数 cos φ	堵转转矩 额定转矩	堵转电流 额定电流	最大转矩 额定转矩	重量 kg
Y5603-4	2000	1490	226	95.9	0.89	0.6	6.5	1.8	6750
Y6301-4	2240	1490	252	96.0	0.89	0.6	6.5	1.8	8760
Y6302-4	2500	1490	281	96.1	0.89	0.6	6.5	1.8	9170
Y6303-4	2800	1490	315	96.2	0.89	0.6	6.5	1.8	9390
Y7101-4	3150	1490	362	96.3	0.87	0.5	6.5	1.8	12600
Y7102-4	3550	1490	408	96.3	0.87	0.5	6.5	1.8	12900
Y7103-4	4000	1490	459	96.4	0.87	0.5	6.5	1.8	13200
Y7104-4	4500	1490	516	96.4	0.87	0.5	6.5	1.8	13600
Y3555-6	220	990	27.8	93.0	0.82	0.8	6.0	1.8	1917
Y3556-6	250	990	31.4	93.3	0.82	0.8	6.0	1.8	1971
Y4002-6	280	990	34.7	93.5	0.83	0.8	6.0	1.8	2129
Y4003-6	315	990	39.0	93.7	0.83	0.8	6.0	1.8	2166
Y4004-6	355	990	43.8	93.9	0.83	0.8	6.0	1.8	2312
Y4005-6	400	990	49.3	94.0	0.83	0.8	6.0	1.8	2356
Y4501-6	450	990	54.7	94.3	0.84	0.8	6.0	1.8	3000
Y4502-6	500	990	59.9	94.5	0.85	0.8	6.0	1.8	3200
Y4503-6	560	990	66.9	94.7	0.85	0.8	6.0	1.8	3400
Y4504-6	630	990	75.2	94.8	0.85	0.8	6.0	1.8	3600
Y5001-6	710	990	84.6	95.0	0.85	0.7	6.0	1.8	4470
Y5002-6	800	990	95.2	95.1	0.85	0.7	6.0	1.8	4560
Y5003-6	900	990	107	95.2	0.85	0.7	6.0	1.8	4760
Y5004-6	1000	990	119	95.3	0.85	0.7	6.0	1.8	4980
Y5601-6	1120	990	131	95.4	0.86	0.7	6.5	1.8	6100
Y5602-6	1250	990	147	95.5	0.86	0.7	6.5	1.8	6400
Y5603-6	1400	990	164	95.6	0.86	0.7	6.0	1.8	6530
Y6301-6	1600	990	187	95.7	0.86	0.7	6.5	1.8	8490
Y6302-6	1800	990	210	95.8	0.86	0.7	6.5	1.8	8930
Y6303-6	2000	990	233	95.9	0.86	0.7	6.5	1.8	9140
Y7101-6	2240	990	261	96.0	0.86	0.6	6.5	1.8	13400
Y7102-6	2500	990	291	96.1	0.86	0.6	6.5	1.8	13700
Y7103-6	2800	990	326	96.1	0.86	0.6	6.5	1.8	14000
Y7104-6	3150	990	366	96.2	0.86	0.6	6.5	1.8	14200
Y4003-8	220	740	29.2	92.9	0.78	0.8	5.5	1.8	2148
Y4004-8	250	740	32.7	93.0	0.79	0.8	5.5	1.8	2284
Y4005-8	280	740	36.6	93.2	0.79	0.8	5.5	1.8	2320
Y4501-8	315	740	40.6	93.4	0.80	0.8	5.5	1.8	3013
Y4502-8	355	740	45.7	93.5	0.80	0.8	5.5	1.8	3093
Y4503-8	400	740	51.3	93.7	0.80	0.8	5.5	1.8	3220
Y4504-8	450	740	57.0	93.8	0.81	0.8	5.5	1.8	3346
Y5001-8	500	740	63.0	94.3	0.81	0.8	5.5	1.8	4300
Y5002-8	560	740	69.6	94.4	0.82	0.8	5.5	1.8	4430
Y5003-8	630	740	78.2	94.5	0.82	0.8	5.5	1.8	4570
Y5004-8	710	740	88.1	94.6	0.82	0.8	5.5	1.8	4720
Y5601-8	800	740	96.8	94.7	0.84	0.7	6.0	1.8	5910
Y5602-8	900	740	109	94.8	0.84	0.7	6.0	1.8	6100
Y5603-8	1000	740	121	94.9	0.84	0.7	6.0	1.8	6390
Y6301-8	1120	740	135	95.0	0.84	0.7	6.0	1.8	8230

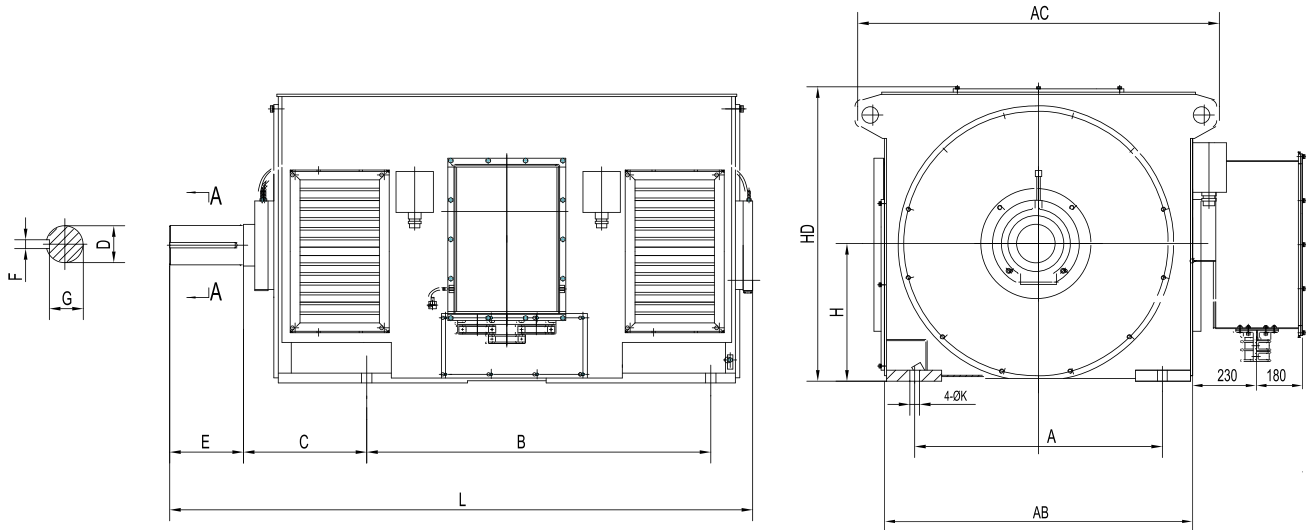
**6kV 性能参数**

## 6KV PERFORMANCE PARAMETERS

型号	额定功率 kW	额定转速 r/min	额定电流 A	效率 %	功率因数 cos φ	堵转转矩 额定转矩	堵转电流 额定电流	最大转矩 额定转矩	重量 kg
Y6302-8	1250	740	151	95.1	0.84	0.7	6.0	1.8	8490
Y6303-8	1400	740	169	95.2	0.84	0.7	6.0	1.8	8820
Y6304-8	1600	740	192	95.3	0.84	0.7	6.0	1.8	9020
Y7101-8	1800	740	214	95.4	0.85	0.6	6.5	1.8	13800
Y7102-8	2000	740	237	95.5	0.85	0.6	6.5	1.8	14100
Y7103-8	2240	740	265	95.6	0.85	0.6	6.5	1.8	14500
Y4501-10	220	590	29.9	92.1	0.77	0.8	5.5	1.8	2862
Y4502-10	250	590	33.4	92.3	0.78	0.8	5.5	1.8	2931
Y4503-10	280	590	37.3	92.5	0.78	0.8	5.5	1.8	2985
Y4504-10	315	590	41.4	92.6	0.79	0.8	5.5	1.8	3061
Y4505-10	355	590	46.6	92.8	0.79	0.8	5.5	1.8	3190
Y5001-10	400	590	51.6	93.3	0.80	0.8	5.5	1.8	4000
Y5002-10	450	590	58.0	93.4	0.80	0.8	5.5	1.8	4250
Y5003-10	500	590	64.3	93.6	0.80	0.8	5.5	1.8	4437
Y5004-10	560	590	71.9	93.7	0.80	0.8	5.5	1.8	4800
Y5005-10	630	590	80.8	93.8	0.80	0.8	5.5	1.8	5200
Y5601-10	710	590	88.6	94.0	0.82	0.7	6.0	1.8	5840
Y5602-10	800	590	100	94.2	0.82	0.7	6.0	1.8	6010
Y5603-10	900	590	112	92.3	0.82	0.7	6.0	1.8	6170
Y6301-10	1000	590	126	93.4	0.82	0.7	6.0	1.8	7830
Y6302-10	1120	590	139	94.6	0.82	0.7	6.0	1.8	8120
Y6303-10	1250	590	155	94.8	0.82	0.7	6.0	1.8	8430
Y6304-10	1400	590	173	94.9	0.82	0.7	6.0	1.8	8630
Y7101-10	1600	590	195	95.0	0.83	0.6	6.0	1.8	14300
Y7102-10	1800	590	219	95.1	0.83	0.6	6.0	1.8	14500
Y7103-10	2000	590	244	95.2	0.83	0.6	6.0	1.8	14700
Y4504-12	220	490	31.7	91.4	0.73	0.8	5.5	1.8	3280
Y4505-12	250	490	35.9	91.7	0.73	0.8	5.5	1.8	3390
Y5001-12	280	490	39.3	92.7	0.74	0.8	5.5	1.8	3500
Y5002-12	315	490	43.6	92.8	0.75	0.8	5.5	1.8	3990
Y5003-12	355	490	49.0	93.0	0.75	0.8	5.5	1.8	4303
Y5004-12	400	490	55.0	93.3	0.75	0.8	5.5	1.8	4180
Y5005-12	450	490	61.8	93.4	0.75	0.8	5.5	1.8	4340
Y5601-12	500	490	65.0	93.7	0.79	0.7	6.0	1.8	5660
Y5602-12	560	490	72.7	93.8	0.79	0.7	6.0	1.8	5850
Y5603-12	630	490	81.7	93.9	0.79	0.7	6.0	1.8	6050
Y6301-12	710	490	92.0	94.0	0.79	0.7	6.0	1.8	7620
Y6302-12	800	490	103	94.2	0.79	0.7	6.0	1.8	7910
Y6303-12	900	490	116	94.3	0.79	0.7	6.0	1.8	8220
Y6304-12	1000	490	129	94.4	0.79	0.7	6.0	1.8	8410
Y7101-12	1120	490	144	94.5	0.79	0.6	6.0	1.8	14100
Y7102-12	1250	490	161	94.6	0.79	0.6	6.0	1.8	14400
Y7103-12	1400	490	181	94.7	0.79	0.6	6.0	1.8	14600
Y7101-16	630	370	89.2	93.1	0.73	0.6	6.0	1.8	14700
Y7102-16	710	370	100	93.3	0.73	0.6	6.0	1.8	14900
Y7103-16	800	370	113	93.4	0.73	0.6	6.0	1.8	15200
Y7104-16	900	370	127	93.5	0.73	0.6	6.0	1.8	15400



## Y 系列高压三相异步电动机 (10kV)



机座号	极数	A	B	C	D	E	F	G	H	K	AB	AC	HD	L
450	2	800	1120	400	90	170	25	81	450	35	980	1174	980	2040
450	4	800	1120	355	110	210	28	100	450	35	980	1174	980	2040
450	6	800	1120	355	110	210	28	100	450	35	980	1174	980	2040
500	2	900	1250	560	100	210	28	90	500	42	1120	1314	1670	2300
500	4	900	1250	475	120	210	32	109	500	42	1120	1314	1080	2200
500	6-12	900	1250	475	130	250	32	119	500	42	1120	1314	1080	2230
560	2	1000	1400	560	130	250	32	119	560	42	1220	1410	1850	2520
560	4	1000	1400	500	150	250	36	138	560	42	1220	1410	1210	2350
560	6-12	1000	1400	500	160	300	40	147	560	42	1220	1410	1210	2400
630	2	1120	1600	560	140	250	36	128	630	48	1360	1620	2040	2700
630	4	1120	1600	530	170	300	40	157	630	48	1360	1620	1330	2620
630	6-12	1120	1600	530	180	300	45	165	630	48	1360	1620	1330	2620
710	2	1400	1600	530	160	300	40	147	710	56	1600	1860	2310	3150
710	4-16	1400	1800	530	200	350	45	185	710	56	1600	1860	1530	3100

**10kV 性能参数**

## 10kV PERFORMANCE PARAMETERS

型号	额定功率 kW	额定转速 r/min	额定电流 A	效率 %	功率因数 cos φ	堵转转矩 额定转矩	堵转电流 额定电流	最大转矩 额定转矩	重量 kg
Y450-2	250	2980	18.3	92.9	0.85	0.6	7.0	1.8	2612
Y450-2	280	2980	20.4	93.2	0.85	0.6	7.0	1.8	2640
Y450-2	315	2980	22.6	93.5	0.86	0.6	7.0	1.8	2738
Y4501-2	355	2980	25.1	93.8	0.87	0.6	7.0	1.8	2793
Y4502-2	400	2980	28.2	94.1	0.87	0.6	7.0	1.8	2878
Y4503-2	450	2980	31.7	94.3	0.87	0.6	7.0	1.8	2937
Y4504-2	500	2980	35.2	94.4	0.87	0.6	7.0	1.8	3021
Y4505-2	560	2980	39.3	94.5	0.87	0.6	7.0	1.8	3174
Y4506-2	630	2980	44.2	94.6	0.87	0.6	7.0	1.8	3229
Y5001-2	710	2980	49.2	94.7	0.88	0.6	7.0	1.8	3656
Y5002-2	800	2980	55.4	94.8	0.88	0.6	7.0	1.8	3752
Y5003-2	900	2980	62.2	94.9	0.88	0.6	7.0	1.8	3874
Y5004-2	1000	2980	69.1	95.0	0.88	0.6	7.0	1.8	4071
Y5005-2	1120	2980	77.2	95.2	0.88	0.6	7.0	1.8	4158
Y5601-2	1250	2980	85.0	95.4	0.89	0.6	7.0	1.8	6300
Y5602-2	1400	2980	95.1	95.5	0.89	0.6	7.0	1.8	6390
Y5603-2	1600	2980	109	95.6	0.89	0.6	7.0	1.8	6460
Y6301-2	1800	2980	121	95.7	0.90	0.6	7.0	1.8	9300
Y6302-2	2000	2980	134	95.8	0.90	0.6	7.0	1.8	9360
Y6303-2	2240	2980	150	96.0	0.90	0.6	7.0	1.8	9450
Y7101-2	2500	2980	169	95.9	0.89	0.6	7.0	1.8	11800
Y7102-2	2800	2980	189	96.0	0.89	0.6	7.0	1.8	12400
Y7103-2	3150	2980	213	96.1	0.89	0.6	7.0	1.8	11340
Y7104-2	3550	2980	240	96.2	0.89	0.6	7.0	1.8	11500
Y450-4	220	1490	16.7	92.6	0.82	0.7	7.0	1.8	2433
Y450-4	250	1490	18.8	92.7	0.83	0.7	7.0	1.8	2433
Y450-4	280	1490	20.7	92.8	0.84	0.7	7.0	1.8	2433
Y450-4	315	1490	23.3	93.0	0.84	0.7	7.0	1.8	2498
Y4501-4	355	1490	25.5	93.3	0.86	0.7	7.0	1.8	2581
Y4502-4	400	1490	28.7	93.5	0.86	0.7	7.0	1.8	2636
Y4503-4	450	1490	32.2	93.9	0.86	0.7	7.0	1.8	2720
Y4504-4	500	1490	35.7	94.0	0.86	0.7	7.0	1.8	2848
Y4505-4	560	1490	39.9	94.2	0.86	0.7	7.0	1.8	2954
Y4506-4	630	1490	44.8	94.4	0.86	0.7	7.0	1.8	3093
Y5001-4	710	1490	49.6	95.0	0.87	0.7	7.0	1.8	3945
Y5002-4	800	1490	55.8	95.1	0.87	0.7	7.0	1.8	4042
Y5003-4	900	1490	62.0	95.2	0.88	0.7	7.0	1.8	4139
Y5004-4	1000	1490	68.8	95.3	0.88	0.7	7.0	1.8	4328
Y5005-4	1120	1490	77.0	95.4	0.88	0.7	7.0	1.8	4517
Y5601-4	1250	1490	84.9	95.5	0.89	0.7	7.0	1.8	5676
Y5602-4	1400	1490	94.9	95.7	0.89	0.7	7.0	1.8	6032
Y5603-4	1600	1490	108	95.8	0.89	0.7	7.0	1.8	6216
Y6301-4	1800	1490	122	95.9	0.89	0.6	7.0	1.8	9250
Y6302-4	2000	1490	135	96.0	0.89	0.6	7.0	1.8	9700
Y6303-4	2240	1490	151	96.1	0.89	0.6	7.0	1.8	10600
Y7101-4	2500	1490	178	95.8	0.86	0.5	6.5	1.8	11600
Y7102-4	2800	1490	196	95.9	0.86	0.5	6.5	1.8	11750
Y7103-4	3150	1490	220	96.0	0.86	0.5	6.5	1.8	12100
Y7104-4	3550	1490	248	96.1	0.86	0.5	6.5	1.8	12400
Y4503-6	315	990	23.9	92.8	0.82	0.7	6.0	1.8	2831
Y4504-6	355	990	26.5	93.1	0.83	0.7	6.0	1.8	2894
Y4505-6	400	990	29.8	93.3	0.83	0.7	6.0	1.8	2976
Y4506-6	450	990	33.5	93.5	0.83	0.7	6.0	1.8	3042
Y5001-6	500	990	37.0	93.9	0.83	0.7	6.0	1.8	3765
Y5002-6	560	990	40.9	94.1	0.84	0.7	6.0	1.8	3847
Y5003-6	630	990	45.9	94.4	0.84	0.7	6.0	1.8	4022
Y5004-6	710	990	51.6	94.6	0.84	0.7	6.0	1.8	4199
Y5005-6	800	990	58.1	94.7	0.84	0.7	6.0	1.8	4387



**10kV 性能参数**

## 10KV PERFORMANCE PARAMETERS

型号	额定功率 kW	额定转速 r/min	额定电流 A	效率 %	功率因数 cos φ	堵转转矩 额定转矩	堵转电流 额定电流	最大转矩 额定转矩	重量 kg
Y5601-6	900	990	64.4	94.9	0.85	0.7	6.0	1.8	6085
Y5602-6	1000	990	71.4	95.1	0.85	0.7	6.0	1.8	6415
Y5603-6	1120	990	79.8	95.3	0.85	0.7	6.0	1.8	6670
Y5604-6	1250	990	88.0	95.4	0.86	0.7	6.0	1.8	6920
Y6301-6	1400	990	98.2	95.7	0.86	0.6	6.0	1.8	9300
Y6302-6	1600	990	112	95.8	0.86	0.6	6.0	1.8	9700
Y6303-6	1800	990	126	95.9	0.86	0.6	6.0	1.8	10500
Y7101-6	2000	990	144	95.5	0.84	0.6	6.5	1.8	12800
Y7102-6	2240	990	161	95.6	0.84	0.6	6.5	1.8	13100
Y7103-6	2500	990	180	95.7	0.84	0.6	6.5	1.8	13400
Y5001-8	315	740	25.5	92.8	0.77	0.7	6.0	1.8	3817
Y5002-8	355	740	28.6	93.1	0.77	0.7	6.0	1.8	3913
Y5003-8	400	740	31.8	93.2	0.78	0.7	6.0	1.8	3998
Y5004-8	450	740	35.7	93.4	0.78	0.7	6.0	1.8	4163
Y5005-8	500	740	39.0	93.8	0.79	0.7	6.0	1.8	4328
Y5006-8	560	740	43.6	93.9	0.79	0.7	6.0	1.8	4499
Y5601-8	630	740	47.0	94.4	0.82	0.7	6.0	1.8	6325
Y5602-8	710	740	52.8	94.6	0.82	0.7	6.0	1.8	5720
Y5603-8	800	740	59.5	94.7	0.82	0.7	6.0	1.8	6620
Y5604-8	900	740	66.8	94.8	0.82	0.7	6.0	1.8	6760
Y6301-8	1000	740	73.2	95.0	0.83	0.7	6.0	1.8	9620
Y6302-8	1120	740	81.8	95.2	0.83	0.7	6.0	1.8	10200
Y6303-8	1250	740	91.2	95.3	0.83	0.7	6.0	1.8	10570
Y7101-8	1400	740	104	94.9	0.82	0.6	6.5	1.8	12800
Y7102-8	1600	740	119	95.0	0.82	0.6	6.5	1.8	13200
Y7103-8	1800	740	133	95.1	0.82	0.6	6.5	1.8	13600
Y5003-10	280	590	23.6	92.4	0.74	0.7	5.5	1.8	4720
Y5004-10	315	590	26.5	92.6	0.74	0.7	5.5	1.8	4840
Y5005-10	355	590	29.4	92.8	0.75	0.7	5.5	1.8	4970
Y5006-10	400	590	33.1	93.0	0.75	0.7	5.5	1.8	5090
Y5601-10	450	590	36.2	93.2	0.77	0.7	6.0	1.8	6160
Y5602-10	500	590	40.1	93.4	0.77	0.7	6.0	1.8	6360
Y5603-10	560	590	44.3	93.5	0.78	0.7	6.0	1.8	6570
Y5604-10	630	590	49.8	93.7	0.78	0.7	6.0	1.8	6780
Y5605-10	710	590	56.0	93.9	0.78	0.7	6.0	1.8	6990
Y6301-10	800	590	61.2	94.3	0.80	0.7	6.0	1.8	9620
Y6302-10	900	590	68.7	94.5	0.80	0.7	6.0	1.8	10200
Y6303-10	1000	590	76.3	94.6	0.80	0.7	6.0	1.8	10570
Y6304-10	1120	590	85.4	94.7	0.80	0.7	6.0	1.8	10930
Y7101-10	1250	590	95.4	94.6	0.80	0.6	6.0	1.8	13400
Y7102-10	1400	590	107	94.7	0.80	0.6	6.0	1.8	13800
Y7103-10	1600	590	122	94.8	0.80	0.6	6.0	1.8	14100
Y5601-12	315	495	27.0	92.3	0.73	0.7	6.0	1.8	6060
Y5602-12	355	495	30.4	92.5	0.73	0.7	6.0	1.8	6255
Y5603-12	400	495	34.1	92.7	0.73	0.7	6.0	1.8	6450
Y5604-12	450	495	38.3	92.9	0.73	0.7	6.0	1.8	6640
Y5605-12	500	495	42.4	93.2	0.73	0.7	6.0	1.8	6830
Y6301-12	560	495	46.7	93.5	0.74	0.7	6.0	1.8	9600
Y6302-12	630	495	52.5	93.7	0.74	0.7	6.0	1.8	10050
Y6303-12	710	495	59.0	93.9	0.74	0.7	6.0	1.8	10450
Y6304-12	800	495	66.2	94.3	0.74	0.7	6.0	1.8	10600
Y7101-12	900	495	71.9	93.9	0.77	0.6	6.0	1.8	14000
Y7102-12	1000	495	79.8	94.0	0.77	0.6	6.0	1.8	14350
Y7103-12	1120	495	89.2	94.1	0.77	0.6	6.0	1.8	14550
Y7101-16	450	370	35.3	94.4	0.78	0.6	6.0	1.8	14400
Y7102-16	500	370	39.2	94.5	0.78	0.6	6.0	1.8	14700
Y7103-16	560	370	43.8	94.6	0.78	0.6	6.0	1.8	14900
Y7104-16	630	370	49.2	94.7	0.78	0.6	6.0	1.8	15100



## 产品简介

YKS 系列高压三相异步电动机是封闭式鼠笼转子三相异步电动机, 该系列电机防护等级为 IP44 或 IP54, 冷却方式为 ICW81A, 绝缘等级为 F 级, 安装形式为 IMB3, 额定电压为 6kV 或 10kV。

该系列电机采用箱式结构, 重量轻, 刚性好, 具有效率高, 噪声低, 振动小, 重量轻, 质量可靠, 安装维修方便等优点, 可广泛用于电站、水厂、石化、冶金、矿山等行业。

## PRODUCT INTRODUCTION

YKS series high voltage motor is totally enclosed squirrel-cage three phase asynchronous induction motor. The motor has protection class IP44 or IP54, cooling method ICW81A, insulation class F, and mounting arrangement IMB3. The rated voltage is 6kV or 10kV.

This series motor is designed to be a box-type with light weight and high rigidity. The motors have good features of high efficiency, low noise, low vibration, reliable performance, easy installation and maintenance. They are widely used in power station, water plant, petrochemical, metallurgy and mining industries.

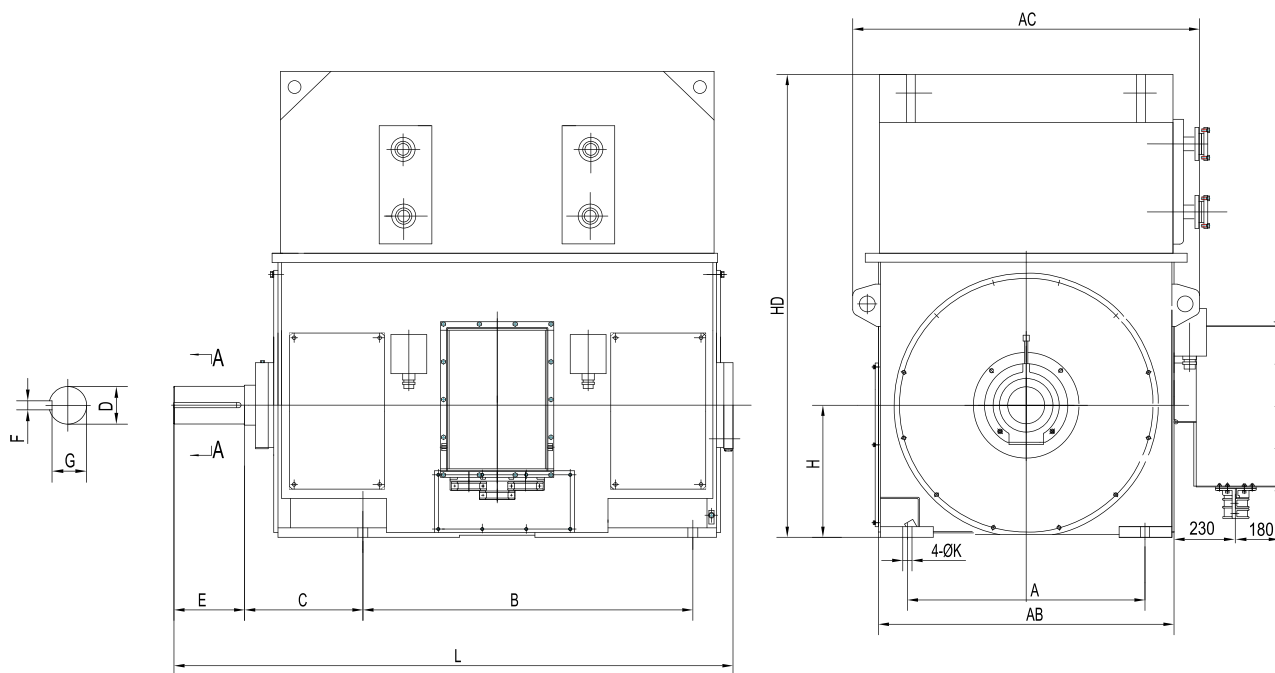
## 详细说明

中心高: H355-710mm(6kV)、H450-710mm(10kV)  
额定输出功率: 185kW-5000kW、220 kW-3550kW  
电压和频率: 6kV /50Hz、10kV /50Hz  
防护等级: IP44、IP54  
绝缘 / 温升等级: F  
安装形式: B3  
环境温度: -15°C ~+40°C  
冷却方式: ICW81A

## SPECIFICATION

Frame size: H355-710mm(6kV)、H450-710mm(10kV)  
Rated power: 185kW-5000kW、220 kW-3550kW  
Voltage and frequency: 6kV /50Hz、10kV /50Hz  
Degrees of protection: IP44、IP54  
Degrees of insulation/Temperature rise: F  
Installation method: B3  
Ambient temperature: -15°C ~+40°C  
Cooling method: ICW81A

## YKS 系列高压三相异步电动机 (6kV)



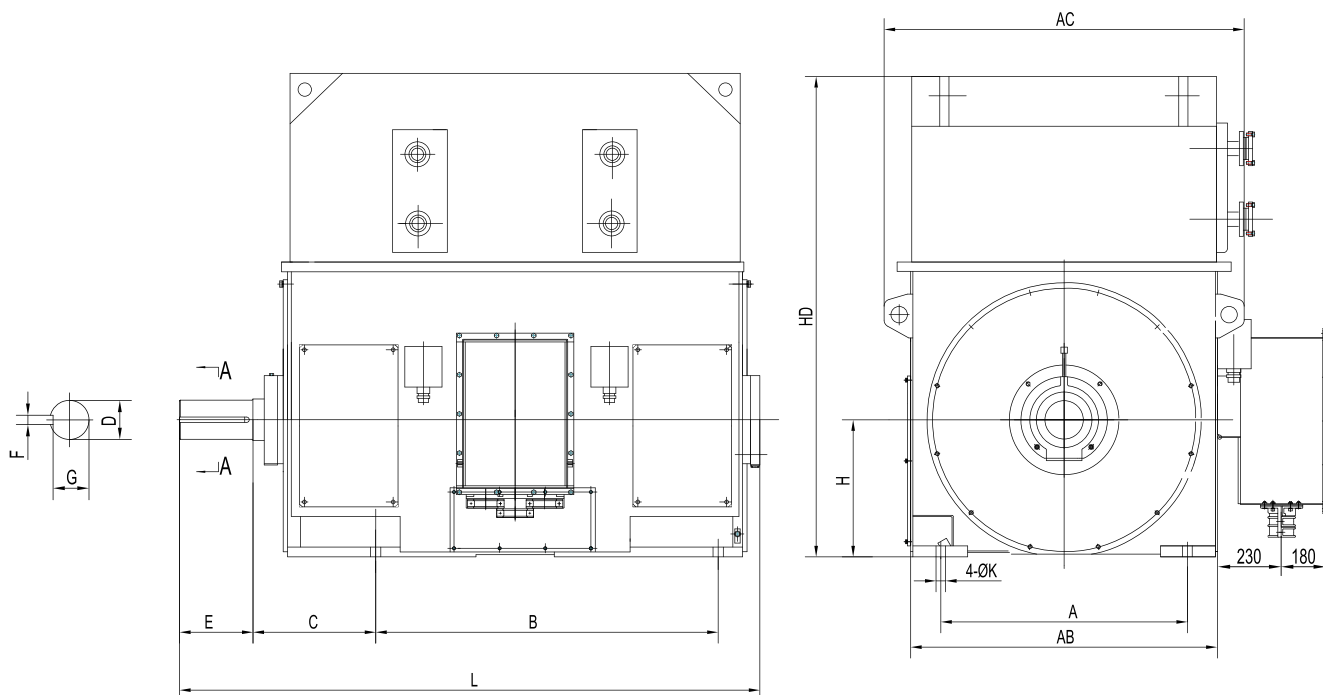
机座号	极数	A	B	C	D	E	F	G	H	K	AB	AC	HD	L
355	2	630	900	315	80	170	22	71	355	28	800	994	2150	1720
355	4-6	630	900	315	100	210	28	90	355	28	800	994	2150	1760
400	2	710	1000	375	90	170	25	81	400	35	900	1094	2350	1900
400	4-10	710	1000	335	110	210	28	100	400	35	900	1094	2350	1900
450	2	800	1120	400	100	210	28	90	450	35	980	1174	2500	2080
450	4	800	1120	355	120	210	32	109	450	35	980	1174	2500	2030
450	6-12	800	1120	355	130	250	32	119	450	35	980	1174	2500	2070
500	2	900	1250	560	100	210	28	100	500	42	1120	1314	2500	2300
500	4	900	1250	475	130	250	32	119	500	42	1120	1314	2500	2230
500	6-12	900	1250	475	140	250	36	128	500	42	1120	1314	2500	2230
560	2	1000	1400	560	130	250	32	119	560	42	1220	1410	2550	2520
560	4	1000	1400	500	150	250	36	138	560	42	1220	1410	2550	2350
560	6-12	1000	1400	500	160	300	40	147	560	42	1220	1410	2550	2400
630	2	1120	1600	560	140	250	36	128	630	48	1360	1620	2850	2700
630	4	1120	1600	530	170	300	40	157	630	48	1360	1620	2850	2620
630	6-12	1120	1600	530	180	300	45	165	630	48	1360	1620	2850	2620
710	2	1400	1800	530	160	300	40	147	710	56	1600	1860	2900	3150
710	4-16	1400	1800	530	200	350	45	185	710	56	1600	1860	2900	3100

型号	额定功率 kW	额定转速 r/min	额定电流 A	效率 %	功率因数 cos φ	堵转转矩 额定转矩	堵转电流 额定电流	最大转矩 额定转矩	重量 kg
YKS3551-2	220	2980	26.5	92.8	0.86	0.6	7.0	1.8	2670
YKS3552-2	250	2980	30.1	92.9	0.86	0.6	7.0	1.8	2900
YKS3553-2	280	2980	33.7	93.1	0.86	0.6	7.0	1.8	2930
YKS3554-2	315	2980	37.7	93.4	0.86	0.6	7.0	1.8	2950
YKS3555-2	355	2980	42.4	93.7	0.86	0.6	7.0	1.8	3140
YKS3556-2	400	2980	47.6	94.1	0.86	0.6	7.0	1.8	3450
YKS4001-2	450	2980	53.3	94.4	0.86	0.6	7.0	1.8	3880
YKS4002-2	500	2980	58.5	94.6	0.87	0.6	7.0	1.8	3945
YKS4003-2	560	2980	65.4	94.7	0.87	0.6	7.0	1.8	4125
YKS4004-2	630	2980	73.4	94.9	0.87	0.6	7.0	1.8	4350
YKS4501-2	710	2980	82.7	95.0	0.87	0.6	7.0	1.8	4350
YKS4502-2	800	2980	92.9	95.2	0.87	0.6	7.0	1.8	4420
YKS4503-2	900	2980	105	95.3	0.87	0.6	7.0	1.8	4500
YKS4504-2	1000	2980	115	95.4	0.88	0.6	7.0	1.8	4570
YKS5001-2	1120	2980	128	95.5	0.88	0.6	7.0	1.8	5600
YKS5002-2	1250	2980	143	95.6	0.88	0.6	7.0	1.8	5670
YKS5003-2	1400	2980	160	95.7	0.88	0.6	7.0	1.8	5720
YKS5004-2	1600	2980	183	95.8	0.88	0.6	7.0	1.8	5800
YKS5601-2	1800	2980	205	95.9	0.88	0.6	7.0	1.8	6950
YKS5602-2	2000	2980	228	96.0	0.88	0.6	7.0	1.8	7010
YKS5603-2	2240	2980	255	96.1	0.88	0.6	7.0	1.8	7230
YKS6301-2	2500	2980	281	96.2	0.89	0.6	7.0	1.8	10500
YKS6302-2	2800	2980	314	96.3	0.89	0.6	7.0	1.8	11000
YKS6303-2	3150	2980	354	96.3	0.89	0.6	7.0	1.8	11300
YKS7101-2	3550	2980	399	96.3	0.89	0.6	7.0	1.8	14350
YKS7102-2	4000	2980	449	96.4	0.89	0.6	7.0	1.8	14670
YKS7103-2	4500	2980	504	96.5	0.89	0.6	7.0	1.8	14980
YKS7104-2	5000	2980	560	96.6	0.89	0.6	7.0	1.8	15252
YKS3551-4	185	1490	22.8	93.1	0.84	0.7	6.5	1.8	2350
YKS3552-4	200	1490	24.6	93.2	0.84	0.7	6.5	1.8	2470
YKS3553-4	220	1490	26.7	93.3	0.85	0.7	6.5	1.8	2590
YKS3554-4	250	1490	30.3	93.4	0.85	0.7	6.5	1.8	2650
YKS3555-4	280	1490	33.5	93.5	0.86	0.7	6.5	1.8	3740
YKS3556-4	315	1490	37.7	93.6	0.86	0.7	6.5	1.8	3770
YKS4001-4	355	1490	42.3	93.8	0.86	0.7	6.5	1.8	4160
YKS4002-4	400	1490	47.6	94.0	0.86	0.7	6.5	1.8	4320
YKS4003-4	450	1490	53.5	94.2	0.86	0.7	6.5	1.8	4500
YKS4004-4	500	1490	58.6	94.3	0.87	0.7	6.5	1.8	4700
YKS4005-4	560	1490	65.5	94.5	0.87	0.7	6.5	1.8	4900
YKS4501-4	630	1490	73.5	94.8	0.87	0.7	6.5	1.8	4600
YKS4502-4	710	1490	82.7	95.0	0.87	0.7	6.5	1.8	4650
YKS4503-4	800	1490	93.0	95.1	0.87	0.7	6.5	1.8	4720
YKS4504-4	900	1490	105	95.2	0.87	0.7	6.5	1.8	4830
YKS5001-4	1000	1490	116	95.3	0.87	0.7	6.5	1.8	5700
YKS5002-4	1120	1490	128	95.4	0.88	0.7	6.5	1.8	5750
YKS5003-4	1250	1490	143	95.5	0.88	0.7	6.5	1.8	5820
YKS5004-4	1400	1490	160	95.6	0.88	0.7	6.5	1.8	5900
YKS5601-4	1600	1490	181	95.7	0.89	0.6	6.5	1.8	7540
YKS5602-4	1800	1490	203	95.8	0.89	0.6	6.5	1.8	7630
YKS5603-4	2000	1490	226	95.9	0.89	0.6	6.5	1.8	7710
YKS6301-4	2240	1490	252	96.0	0.89	0.6	6.5	1.8	10700

型号	额定功率 kW	额定转速 r/min	额定电流 A	效率 %	功率因数 cos φ	堵转转矩 额定转矩	堵转电流 额定电流	最大转矩 额定转矩	重量 kg
YKS6302-4	2500	1490	281	96.1	0.89	0.6	6.5	1.8	11200
YKS6303-4	2800	1490	315	96.2	0.89	0.6	6.5	1.8	11950
YKS7101-4	3150	1490	362	96.3	0.87	0.5	6.5	1.8	14380
YKS7102-4	3550	1490	408	96.3	0.87	0.5	6.5	1.8	14960
YKS7103-4	4000	1490	460	96.4	0.87	0.5	6.5	1.8	15250
YKS7104-4	4500	1490	516	96.4	0.87	0.5	6.5	1.8	15640
YKS3553-6	185	990	23.7	92.6	0.81	0.7	6.0	1.8	3400
YKS3554-6	200	990	25.6	92.8	0.81	0.7	6.0	1.8	3600
YKS3555-6	220	990	27.8	93.0	0.82	0.7	6.0	1.8	3790
YKS3556-6	250	990	31.4	93.3	0.82	0.7	6.0	1.8	3820
YKS4002-6	280	990	34.7	93.5	0.83	0.7	6.0	1.8	4340
YKS4003-6	315	990	39.0	93.7	0.83	0.7	6.0	1.8	4480
YKS4004-6	355	990	43.8	93.9	0.83	0.7	6.0	1.8	4570
YKS4005-6	400	990	49.3	94.0	0.83	0.7	6.0	1.8	4600
YKS4501-6	450	990	54.7	94.3	0.84	0.7	6.0	1.8	4510
YKS4502-6	500	990	59.9	94.5	0.85	0.7	6.0	1.8	4580
YKS4503-6	560	990	66.9	94.7	0.85	0.7	6.0	1.8	4630
YKS4504-6	630	990	75.2	94.8	0.85	0.7	6.0	1.8	4700
YKS5001-6	710	990	84.6	95.0	0.85	0.7	6.0	1.8	5810
YKS5002-6	800	990	95.2	95.1	0.85	0.7	6.0	1.8	5880
YKS5003-6	900	990	107	95.2	0.85	0.7	6.0	1.8	5940
YKS5004-6	1000	990	119	95.3	0.85	0.7	6.0	1.8	5990
YKS5601-6	1120	990	131	95.4	0.86	0.7	6.5	1.8	8100
YKS5602-6	1250	990	147	95.5	0.86	0.7	6.5	1.8	8210
YKS5603-6	1400	990	164	95.6	0.86	0.7	6.5	1.8	8340
YKS6301-6	1600	990	187	95.7	0.86	0.7	6.5	1.8	10870
YKS6302-6	1800	990	210	95.8	0.86	0.7	6.5	1.8	11250
YKS6303-6	2000	990	233	95.9	0.86	0.7	6.5	1.8	11870
YKS7101-6	2240	990	261	96.0	0.86	0.6	6.5	1.8	14750
YKS7102-6	2500	990	291	96.1	0.86	0.6	6.5	1.8	15080
YKS7103-6	2800	990	326	96.1	0.86	0.6	6.5	1.8	15230
YKS7104-6	3150	990	366	96.2	0.86	0.6	6.5	1.8	15640
YKS4001-8	185	740	25	92.6	0.77	0.8	5.5	1.8	4230
YKS4002-8	200	740	26.6	92.8	0.78	0.8	5.5	1.8	4350
YKS4003-8	220	740	29.2	92.9	0.78	0.8	5.5	1.8	4430
YKS4004-8	250	740	32.7	93.0	0.79	0.8	5.5	1.8	4520
YKS4005-8	280	740	36.6	93.2	0.79	0.8	5.5	1.8	4610
YKS4501-8	315	740	40.6	93.4	0.80	0.8	5.5	1.8	4480
YKS4502-8	355	740	45.7	93.5	0.80	0.8	5.5	1.8	4560
YKS4503-8	400	740	51.3	93.7	0.80	0.8	5.5	1.8	4630
YKS4504-8	450	740	57	93.8	0.81	0.8	5.5	1.8	4710
YKS5001-8	500	740	63	94.3	0.81	0.8	5.5	1.8	5560
YKS5002-8	560	740	69.6	94.4	0.82	0.8	5.5	1.8	5630
YKS5003-8	630	740	78.2	94.5	0.82	0.8	5.5	1.8	5850
YKS5004-8	710	740	88.1	94.6	0.82	0.8	5.5	1.8	5940
YKS5601-8	800	740	96.8	94.7	0.84	0.7	6.0	1.8	7560
YKS5602-8	900	740	109	94.8	0.84	0.7	6.0	1.8	7630
YKS5603-8	1000	740	121	94.9	0.84	0.7	6.0	1.8	7750
YKS6301-8	1120	740	135	95.0	0.84	0.7	6.0	1.8	12050
YKS6302-8	1250	740	151	95.1	0.84	0.7	6.0	1.8	12240

型号	额定功率 kW	额定转速 r/min	额定电流 A	效率 %	功率因数 cos φ	堵转转矩 额定转矩	堵转电流 额定电流	最大转矩 额定转矩	重量 kg
YKS6303-8	1400	740	169	95.2	0.84	0.7	6.0	1.8	12650
YKS6304-8	1600	740	192	95.3	0.84	0.7	6.0	1.8	12970
YKS7101-8	1800	740	214	95.4	0.85	0.6	6.5	1.8	15070
YKS7102-8	2000	740	237	95.5	0.85	0.6	6.5	1.8	15280
YKS7103-8	2240	740	265	95.6	0.85	0.6	6.5	1.8	15490
YKS4004-10	185	590	25.9	91.7	0.75	0.8	5.5	1.8	4170
YKS4005-10	200	590	27.6	91.9	0.76	0.8	5.5	1.8	4260
YKS4501-10	220	590	29.9	92.1	0.77	0.8	5.5	1.8	4580
YKS4502-10	250	590	33.4	92.3	0.78	0.8	5.5	1.8	4640
YKS4503-10	280	590	37.3	92.5	0.78	0.8	5.5	1.8	4710
YKS4504-10	315	590	41.4	92.6	0.79	0.8	5.5	1.8	4780
YKS4505-10	355	590	46.6	92.8	0.79	0.8	5.5	1.8	4820
YKS5001-10	400	590	51.6	93.3	0.80	0.8	5.5	1.8	5520
YKS5002-10	450	590	58.0	93.4	0.80	0.8	5.5	1.8	5670
YKS5003-10	500	590	64.3	93.6	0.80	0.8	5.5	1.8	5820
YKS5004-10	560	590	71.9	93.7	0.80	0.8	5.5	1.8	5940
YKS5005-10	630	590	80.8	93.8	0.80	0.8	5.5	1.8	6050
YKS5601-10	710	590	88.6	94.0	0.82	0.7	6.0	1.8	7810
YKS5602-10	800	590	99.7	94.2	0.82	0.7	6.0	1.8	7920
YKS5603-10	900	590	112	94.3	0.82	0.7	6.0	1.8	7960
YKS6301-10	1000	590	126	93.4	0.82	0.7	6.0	1.8	11340
YKS6302-10	1120	590	139	94.6	0.82	0.7	6.0	1.8	11650
YKS6303-10	1250	590	155	94.8	0.82	0.7	6.0	1.8	11980
YKS6304-10	1400	590	173	94.9	0.82	0.7	6.0	1.8	12250
YKS7101-10	1600	590	195	95.0	0.83	0.6	6.0	1.8	15180
YKS7102-10	1800	590	219	95.1	0.83	0.6	6.0	1.8	15390
YKS7103-10	2000	590	244	95.2	0.83	0.6	6.0	1.8	15680
YKS4502-12	185	490	27.2	90.9	0.72	0.8	5.5	1.8	4560
YKS4503-12	200	490	29.3	91.1	0.72	0.8	5.5	1.8	4670
YKS4504-12	220	490	31.7	91.4	0.73	0.8	5.5	1.8	4700
YKS4505-12	250	490	35.9	91.7	0.73	0.8	5.5	1.8	4730
YKS5001-12	280	490	39.3	92.7	0.74	0.8	5.5	1.8	5560
YKS5002-12	315	490	43.6	92.8	0.75	0.8	5.5	1.8	5680
YKS5003-12	355	490	49.0	93.0	0.75	0.8	5.5	1.8	5730
YKS5004-12	400	490	55.0	93.3	0.75	0.8	5.5	1.8	5810
YKS5005-12	450	490	61.8	93.4	0.75	0.8	5.5	1.8	5900
YKS5601-12	500	490	65.0	93.7	0.79	0.7	6.0	1.8	7560
YKS5602-12	560	490	72.7	93.8	0.79	0.7	6.0	1.8	7630
YKS5603-12	630	490	81.7	93.9	0.79	0.7	6.0	1.8	7780
YKS6301-12	710	490	92.0	94.0	0.79	0.7	6.0	1.8	11040
YKS6302-12	800	490	103	94.2	0.79	0.7	6.0	1.8	11350
YKS6303-12	900	490	116	94.3	0.79	0.7	6.0	1.8	11670
YKS6304-12	1000	490	129	94.4	0.79	0.7	6.0	1.8	12050
YKS7101-12	1120	490	144	94.5	0.79	0.6	6.0	1.8	14860
YKS7102-12	1250	490	161	94.6	0.79	0.6	6.0	1.8	15100
YKS7103-12	1400	490	180	94.7	0.79	0.6	6.0	1.8	15350
YKS7101-16	630	370	89.2	93.1	0.73	0.6	6.0	1.8	15640
YKS7102-16	710	370	100	93.3	0.73	0.6	6.0	1.8	15870
YKS7103-16	800	370	113	93.4	0.73	0.6	6.0	1.8	15960
YKS7104-16	900	370	127	93.5	0.73	0.6	6.0	1.8	16100

**YKS 系列高压三相异步电动机 (10kV)**



机座号	极数	A	B	C	D	E	F	G	H	K	AB	AC	HD	L
450	2	800	1120	400	90	170	25	81	450	35	980	1174	2500	2040
450	4	800	1120	355	110	210	28	100	450	35	980	1174	2500	2040
450	6	800	1120	355	110	210	28	100	450	35	980	1174	2500	2040
500	2	900	1250	560	100	210	28	90	500	42	1120	1314	2500	2300
500	4	900	1250	475	120	210	32	109	500	42	1120	1314	2500	2200
500	6-10	900	1250	475	130	250	32	119	500	42	1120	1314	2500	2230
560	2	1000	1400	560	130	250	32	119	560	42	1220	1410	2550	2520
560	4	1000	1400	500	150	250	36	138	560	42	1220	1410	2550	2350
560	6-12	1000	1400	500	160	300	40	147	560	42	1220	1410	2550	2400
630	2	1120	1600	560	140	250	36	128	630	48	1360	1620	2850	2700
630	4	1120	1600	530	170	300	40	157	630	48	1360	1620	2850	2620
630	6-12	1120	1600	530	180	300	45	165	630	48	1360	1620	2850	2620
710	2	1400	1800	530	160	300	40	147	710	56	1600	1860	3000	3150
710	4-16	1400	1800	530	200	350	45	185	710	56	1600	1860	3000	3100

型号	额定功率 kW	额定转速 r/min	额定电流 A	效率 %	功率因数 cos φ	堵转转矩 额定转矩	堵转电流 额定电流	最大转矩 额定转矩	重量 kg
YKS4501-2	250	2980	18.3	92.9	0.85	0.6	7.0	1.8	4430
YKS4501-2	280	2980	20.4	93.2	0.85	0.6	7.0	1.8	4560
YKS4501-2	315	2980	22.6	93.5	0.86	0.6	7.0	1.8	4610
YKS4501-2	355	2980	25.1	93.8	0.87	0.6	7.0	1.8	4750
YKS4502-2	400	2980	28.2	94.1	0.87	0.6	7.0	1.8	4860
YKS4503-2	450	2980	31.7	94.3	0.87	0.6	7.0	1.8	4900
YKS4504-2	500	2980	35.2	94.4	0.87	0.6	7.0	1.8	4950
YKS4505-2	560	2980	39.3	94.5	0.87	0.6	7.0	1.8	5070
YKS4506-2	630	2980	44.2	94.6	0.87	0.6	7.0	1.8	5160
YKS5001-2	710	2980	49.2	94.7	0.88	0.6	7.0	1.8	5620
YKS5002-2	800	2980	55.4	94.8	0.88	0.6	7.0	1.8	5750
YKS5003-2	900	2980	62.2	94.9	0.88	0.6	7.0	1.8	5830
YKS5004-2	1000	2980	69.1	95.0	0.88	0.6	7.0	1.8	5980
YKS5005-2	1120	2980	77.2	95.2	0.88	0.6	7.0	1.8	6100
YKS5601-2	1250	2980	85.0	95.4	0.89	0.6	7.0	1.8	7100
YKS5602-2	1400	2980	95.1	95.5	0.89	0.6	7.0	1.8	7180
YKS5603-2	1600	2980	109	95.6	0.89	0.6	7.0	1.8	7260
YKS6301-2	1800	2980	121	95.7	0.90	0.6	7.0	1.8	11450
YKS6302-2	2000	2980	134	95.8	0.90	0.6	7.0	1.8	12070
YKS6303-2	2240	2980	150	96.0	0.90	0.6	7.0	1.8	12450
YKS7101-2	2500	2980	169	95.9	0.89	0.6	7.0	1.8	14650
YKS7102-2	2800	2980	189	96.0	0.89	0.6	7.0	1.8	15320
YKS7103-2	3150	2980	213	96.1	0.89	0.6	7.0	1.8	15670
YKS7104-2	3550	2980	239	96.2	0.89	0.6	7.0	1.8	16200
YKS450-4	220	1490	16.7	92.6	0.82	0.7	7.0	1.8	4670
YKS450-4	250	1490	18.8	92.7	0.83	0.7	7.0	1.8	4850
YKS450-4	280	1490	20.7	92.8	0.84	0.7	7.0	1.8	4930
YKS450-4	315	1490	23.3	93.0	0.84	0.7	7.0	1.8	5250
YKS4501-4	355	1490	25.5	93.3	0.86	0.7	7.0	1.8	5370
YKS4502-4	400	1490	28.7	93.5	0.86	0.7	7.0	1.8	5560
YKS4503-4	450	1490	32.2	93.9	0.86	0.7	7.0	1.8	5670
YKS4504-4	500	1490	35.7	94.0	0.86	0.7	7.0	1.8	5730
YKS4505-4	560	1490	39.9	94.2	0.86	0.7	7.0	1.8	5810
YKS4506-4	630	1490	44.8	94.4	0.86	0.7	7.0	1.8	5880
YKS5001-4	710	1490	49.6	95.0	0.87	0.7	7.0	1.8	5790
YKS5002-4	800	1490	55.8	95.1	0.87	0.7	7.0	1.8	5840
YKS5003-4	900	1490	62.0	95.2	0.88	0.7	7.0	1.8	5950
YKS5004-4	1000	1490	68.8	95.3	0.88	0.7	7.0	1.8	6120



型号	额定功率 kW	额定转速 r/min	额定电流 A	效率 %	功率因数 cos φ	堵转转矩 额定转矩	堵转电流 额定电流	最大转矩 额定转矩	重量 kg
YKS5005-4	1120	1490	77.0	95.4	0.88	0.7	7.0	1.8	6230
YKS5601-4	1250	1490	84.9	95.5	0.89	0.7	7.0	1.8	7540
YKS5602-4	1400	1490	94.9	95.7	0.89	0.7	7.0	1.8	7630
YKS5603-4	1600	1490	108	95.8	0.89	0.7	7.0	1.8	7740
YKS6301-4	1800	1490	122	95.9	0.89	0.6	7.0	1.8	11050
YKS6302-4	2000	1490	135	96.0	0.89	0.6	7.0	1.8	11630
YKS6303-4	2240	1490	151	96.1	0.89	0.6	7.0	1.8	12860
YKS7101-4	2500	1490	175	95.8	0.86	0.5	6.5	1.8	15050
YKS7102-4	2800	1490	196	95.9	0.86	0.5	6.5	1.8	15230
YKS7103-4	3150	1490	220	96.0	0.86	0.5	6.5	1.8	15480
YKS7104-4	3550	1490	248	96.1	0.86	0.5	6.5	1.8	15670
YKS4503-6	315	990	23.9	92.8	0.82	0.7	6.0	1.8	4670
YKS4504-6	355	990	26.5	93.1	0.83	0.7	6.0	1.8	4760
YKS4505-6	400	990	29.8	93.3	0.83	0.7	6.0	1.8	4820
YKS4506-6	450	990	33.5	93.5	0.83	0.7	6.0	1.8	4950
YKS5001-6	500	990	37.0	93.9	0.83	0.7	6.0	1.8	6340
YKS5002-6	560	990	40.9	94.1	0.84	0.7	6.0	1.8	6420
YKS5003-6	630	990	45.9	94.4	0.84	0.7	6.0	1.8	6490
YKS5004-6	710	990	51.6	94.6	0.84	0.7	6.0	1.8	6530
YKS5005-6	800	990	58.1	94.7	0.84	0.7	6.0	1.8	6590
YKS5601-6	900	990	64.4	94.9	0.85	0.7	6.0	1.8	7850
YKS5602-6	1000	990	71.4	95.1	0.85	0.7	6.0	1.8	7900
YKS5603-6	1120	990	79.8	95.3	0.85	0.7	6.0	1.8	8120
YKS5604-6	1250	990	88.0	95.4	0.86	0.7	6.0	1.8	8340
YKS6301-6	1400	990	98.2	95.7	0.86	0.6	6.0	1.8	11740
YKS6302-6	1600	990	112	95.8	0.86	0.6	6.0	1.8	11850
YKS6303-6	1800	990	126	95.9	0.86	0.6	6.0	1.8	12200
YKS7101-6	2000	990	144	95.5	0.84	0.6	6.5	1.8	14870
YKS7102-6	2240	990	161	95.6	0.84	0.6	6.5	1.8	15200
YKS7103-6	2500	990	180	95.7	0.84	0.6	6.5	1.8	15450
YKS5001-8	315	740	25.5	92.8	0.77	0.7	6.0	1.8	5870
YKS5002-8	355	740	28.6	93.1	0.77	0.7	6.0	1.8	5930
YKS5003-8	400	740	31.8	93.2	0.78	0.7	6.0	1.8	6050
YKS5004-8	450	740	35.7	93.4	0.78	0.7	6.0	1.8	6140
YKS5005-8	500	740	39.0	93.8	0.79	0.7	6.0	1.8	6270
YKS5006-8	560	740	43.6	93.9	0.79	0.7	6.0	1.8	6360
YKS5601-8	630	740	47.0	94.4	0.82	0.7	6.0	1.8	7840
YKS5602-8	710	740	52.8	94.6	0.82	0.7	6.0	1.8	8120
YKS5603-8	800	740	59.5	94.7	0.82	0.7	6.0	1.8	8500

型号	额定功率 kW	额定转速 r/min	额定电流 A	效率 %	功率因数 cos φ	堵转转矩 额定转矩	堵转电流 额定电流	最大转矩 额定转矩	重量 kg
YKS5604-8	900	745	66.8	94.8	0.82	0.7	6.0	1.8	8610
YKS6301-8	1000	745	73.2	95.0	0.83	0.7	6.0	1.8	11360
YKS6302-8	1120	745	81.8	95.2	0.83	0.7	6.0	1.8	12500
YKS6303-8	1250	745	91.2	95.3	0.83	0.7	6.0	1.8	12800
YKS7101-8	1400	745	104	94.9	0.82	0.6	6.5	1.8	15620
YKS7102-8	1600	745	119	95.0	0.82	0.6	6.5	1.8	15710
YKS7103-8	1800	745	133	95.1	0.82	0.6	6.5	1.8	15830
YKS5003-10	280	595	23.6	92.4	0.74	0.7	5.5	1.8	5800
YKS5004-10	315	595	26.5	92.6	0.74	0.7	5.5	1.8	5920
YKS5005-10	355	595	29.4	92.8	0.75	0.7	5.5	1.8	6130
YKS5006-10	400	595	33.1	93.0	0.75	0.7	5.5	1.8	6250
YKS5601-10	450	595	36.2	93.2	0.77	0.7	6.0	1.8	7920
YKS5602-10	500	595	40.1	93.4	0.77	0.7	6.0	1.8	8040
YKS5603-10	560	595	44.3	93.5	0.78	0.7	6.0	1.8	8150
YKS5604-10	630	595	49.8	93.7	0.78	0.7	6.0	1.8	8230
YKS5605-10	710	595	56.0	93.9	0.78	0.7	6.0	1.8	8340
YKS6301-10	800	595	61.2	94.3	0.80	0.7	6.0	1.8	11780
YKS6302-10	900	595	68.7	94.5	0.80	0.7	6.0	1.8	12340
YKS6303-10	1000	595	76.3	94.6	0.80	0.7	6.0	1.8	12970
YKS6304-10	1120	595	85.4	94.7	0.80	0.7	6.0	1.8	13050
YKS7101-10	1250	595	95.4	94.6	0.80	0.6	6.0	1.8	14360
YKS7102-10	1400	595	107	94.7	0.80	0.6	6.0	1.8	14570
YKS7103-10	1600	595	129	94.8	0.80	0.6	6.0	1.8	14830
YKS5601-12	315	495	27.0	92.3	0.73	0.7	6.0	1.8	7880
YKS5602-12	355	495	30.4	92.5	0.73	0.7	6.0	1.8	7950
YKS5603-12	400	495	34.1	92.7	0.73	0.7	6.0	1.8	8140
YKS5604-12	450	495	38.3	92.9	0.73	0.7	6.0	1.8	8250
YKS5605-12	500	495	42.4	93.2	0.73	0.7	6.0	1.8	8340
YKS6301-12	560	495	46.7	93.5	0.74	0.7	6.0	1.8	12170
YKS6302-12	630	495	52.5	93.7	0.74	0.7	6.0	1.8	12320
YKS6303-12	710	495	59.0	93.9	0.74	0.7	6.0	1.8	12580
YKS6304-12	800	495	66.2	94.3	0.74	0.7	6.0	1.8	12830
YKS7101-12	900	495	71.9	93.9	0.77	0.6	6.0	1.8	15020
YKS7102-12	1000	495	79.8	94.0	0.77	0.6	6.0	1.8	15340
YKS7103-12	1120	495	89.2	94.1	0.77	0.6	6.0	1.8	15450
YKS7101-16	450	370	35.3	94.4	0.78	0.6	6.0	1.8	14800
YKS7102-16	500	370	39.2	94.5	0.78	0.6	6.0	1.8	14750
YKS7103-16	560	370	43.8	94.6	0.78	0.6	6.0	1.8	15200
YKS7104-16	630	370	49.2	94.7	0.78	0.6	6.0	1.8	15500

## Y2 系列高压三相异步电动机 (6kV/10kV)

Y2 SERIES HIGH VOLTAGE THREE PHASE ASYNCHRONOUS INDUCTION MOTOR (6KV/10KV)

**SUNVIM**  
— Electrical Machinery —  
**孚日电机**



### 详细说明

中心高: H355-560mm(6kV)、H450-560mm(10kV)  
额定输出功率: 160kW-1600kW、220 kW-1400kW  
电压和频率: 6kV /50Hz, 10kV /50Hz  
防护等级: IP54  
绝缘 / 温升等级: F  
安装形式: B3  
环境温度: -15°C ~+40°C  
冷却方式: IC411

### SPECIFICATION

Frame size: H355-560mm(6kV), H450-560mm(10kV)  
Rated power: 160kW-1600kW、220 kW-1400kW  
Voltage and frequency: 6kV /50Hz, 10kV /50Hz  
Degrees of protection: IP54  
Degrees of insulation/Temperature rise: F  
Installation method: B3  
Ambient temperature: -15°C ~+40°C  
Cooling method: IC411

### 产品简介

Y2 系列高压三相异步电动机是封闭式鼠笼转子三相异步电动机, 该系列电机防护等级为 IP54, 冷却方式为 IC411, 绝缘等级为 F 级, 安装形式为 IMB3, 额定电压为 6kV 或 10kV。

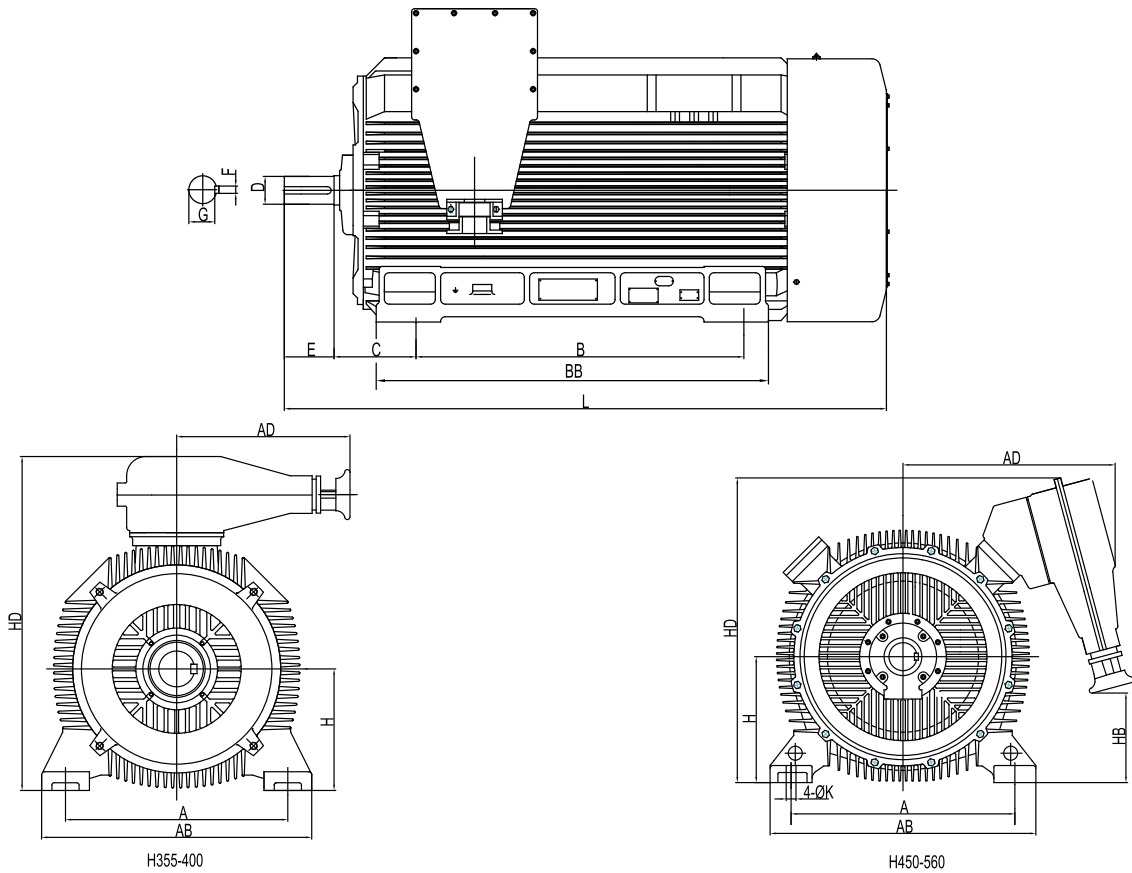
该系列电机采用铸铁机壳, 体积小, 结构紧凑, 具有效率高, 噪声低, 振动小, 重量轻, 质量可靠, 安装维修方便等优点, 可广泛应用于驱动各种通用机械设备, 如压缩机、风机、水泵、破碎机等, 也可用于石油、化工、医药、矿山及其它环境比较恶劣的场合。

### PRODUCT INTRODUCTION

Y2 series high voltage motor is totally enclosed squirrel-cage three phase asynchronous induction motor. The motor has protection class IP54, cooling method IC411, insulation class F, and mounting arrangement IMB3. The rated voltage is 6kV or 10kV.

This series motor is designed with cast iron frame, which has small size and compact structure. The motors have good features of high efficiency, low noise, low vibration, reliable performance, easy installation and maintenance. It is widely applied to drive various machineries, such as compressor, ventilator, pump, and crusher. This motor can also be used as prime mover in petrochemical, medicine, mining fields and even in harsh environmental conditions.

## Y2 系列高压三相异步电动机 (6kV)



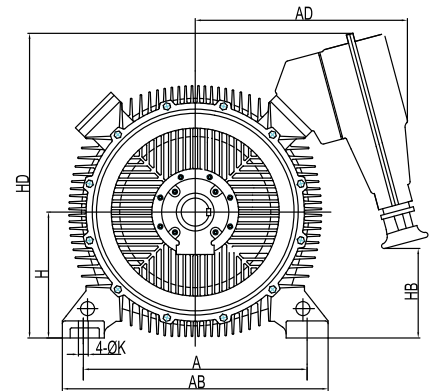
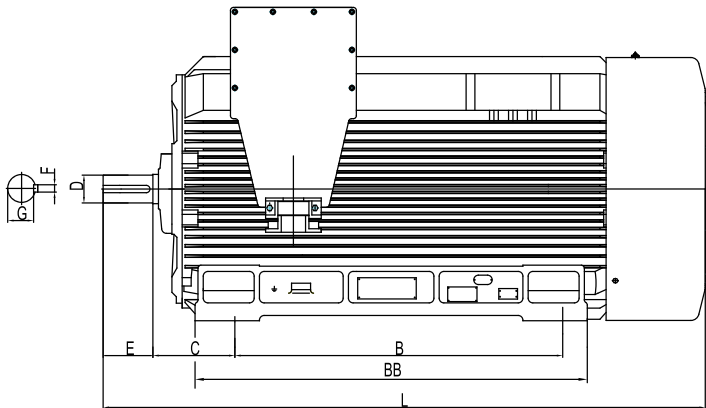
机座号	极数	A	B	C	D	E	F	G	H	K	AB	AD	BB	HB	HD	L
355	2	630	900	254	75	140	20	67.5	355	28	790	860	1110	210	1250	2000
355	4 6	630	900	254	100	210	28	90	355	28	790	860	1110	210	1250	2000
400	2	710	1000	280	85	170	22	76	400	35	870	860	1200	290	1340	2200
400	4 6 8	710	1000	280	110	210	28	100	400	35	870	860	1200	290	1340	2200
450	2	800	1120	280	95	170	25	86	450	35	950	930	1340	390	1340	2310
450	4	800	1120	280	120	210	32	109	450	35	950	930	1340	390	1340	2310
450	6 8	800	1120	280	130	250	32	119	450	35	950	930	1340	390	1340	2310
500	2	900	1250	315	110	210	28	100	500	42	1080	970	1490	470	1420	2610
500	4	900	1250	315	130	250	32	119	500	42	1080	970	1490	470	1420	2610
500	6 8	900	1250	315	140	250	36	128	500	42	1080	970	1490	470	1420	2610
560	2	1000	1400	355 (530)	130	250	32	119	560	42	1180	1030	1680	590	1480	2900
560	4	1000	1400	355	150	250	36	138	560	42	1180	1030	1680	590	1480	2900
560	6 8	1000	1400	355	160	300	40	147	560	42	1180	1030	1680	590	1480	2900

注：(530) 为采用滑动轴承电机的 C 尺寸。

型号	功率 kW	电流 A	转速 r/min	效率 %	功率因数 cos φ	堵转转矩 额定转矩	堵转电流 额定电流	最大转矩 额定转矩	振动 mm/s	噪音 dB (A)	飞轮转矩 G.m <sup>2</sup>	重量 kg
Y2-3551-2	185	22.6	2985	93.9	0.84	0.7	7.0	2	2.8	109	8	2035
Y2-3552-2	200	24.4	2985	94.0	0.84	0.7	7.0	2	2.8	109	8.5	2075
Y2-3553-2	220	26.8	2985	94.2	0.84	0.7	7.0	2	2.8	109	9.5	2160
Y2-3554-2	250	30.3	2985	94.4	0.84	0.7	7.0	2	2.8	111	10	2215
Y2-3555-2	280	33.1	2985	94.6	0.86	0.7	7.0	2	2.8	111	11	2280
Y2-4001-2	315	37.2	2985	94.8	0.86	0.7	7.0	2	2.8	111	17	2630
Y2-4002-2	355	41.9	2985	94.9	0.86	0.7	7.0	2	2.8	111	18	2700
Y2-4003-2	400	47.1	2985	95.1	0.86	0.7	7.0	2	2.8	111	19.5	2830
Y2-4004-2	450	52.9	2985	95.2	0.86	0.7	7.0	2	2.8	111	21	2920
Y2-4501-2	500	58.0	2985	95.3	0.87	0.7	7.0	2	2.8	111	22	3200
Y2-4502-2	560	64.9	2985	95.4	0.87	0.7	7.0	2	2.8	112	24	3300
Y2-4503-2	630	73.0	2985	95.5	0.87	0.7	7.0	2	2.8	112	27	3500
Y2-4504-2	710	82.1	2985	95.7	0.87	0.7	7.0	2	2.8	112	30	3600
Y2-5001-2	800	91.5	2985	95.6	0.88	0.7	7.0	2	2.8	112	61	5360
Y2-5002-2	900	103	2985	95.7	0.88	0.7	7.0	2	2.8	112	65	5500
Y2-5003-2	1000	114	2985	95.9	0.88	0.7	7.0	2	2.8	112	69	5640
Y2-5004-2	1120	128	2985	96.0	0.88	0.7	7.0	2	2.8	113	75	5900
Y2-5601-2	1250	141	2985	96.1	0.89	0.7	7.0	2	2.8	113	111	5800
Y2-5602-2	1400	157	2985	96.3	0.89	0.7	7.0	2	2.8	113	119	5860
Y2-5603-2	1600	179	2985	96.5	0.89	0.7	7.0	2	2.8	113	127	5930
Y2-3551-4	185	22.6	1488	93.7	0.84	0.8	6.5	2	2.8	106	19	2120
Y2-3552-4	200	24.4	1488	93.9	0.84	0.8	6.5	2	2.8	106	21.5	2220
Y2-3553-4	220	26.8	1488	94.1	0.84	0.8	6.5	2	2.8	106	23	2290
Y2-3554-4	250	30.4	1488	94.3	0.84	0.8	6.5	2	2.8	108	24.5	2340
Y2-3555-4	280	33.9	1488	94.5	0.84	0.8	6.5	2	2.8	108	25.5	2400
Y2-4001-4	315	37.7	1488	94.6	0.85	0.8	6.5	2	2.8	108	32	2970
Y2-4002-4	355	42.4	1488	94.8	0.85	0.8	6.5	2	2.8	108	34	3080
Y2-4003-4	400	47.7	1488	95.0	0.85	0.8	6.5	2	2.8	108	37	3170
Y2-4004-4	450	53.5	1488	95.2	0.85	0.8	6.5	2	2.8	108	39	3250
Y2-4501-4	500	58.7	1488	95.3	0.86	0.8	6.5	2	2.8	108	52	3500
Y2-4502-4	560	65.7	1488	95.4	0.86	0.8	6.5	2	2.8	111	58	3700
Y2-4503-4	630	73.8	1488	95.5	0.86	0.8	6.5	2	2.8	111	65	3950
Y2-4504-4	710	83.1	1488	95.6	0.86	0.8	6.5	2	2.8	111	73	4200
Y2-5001-4	800	93.5	1488	95.7	0.86	0.8	6.5	2	2.8	111	130	5350
Y2-5002-4	900	105	1488	95.8	0.86	0.8	6.5	2	2.8	111	141	5540
Y2-5003-4	1000	117	1488	95.9	0.86	0.8	6.5	2	2.8	111	148	5700
Y2-5004-4	1120	131	1488	96.0	0.86	0.8	6.5	2	2.8	113	156	5800
Y2-5601-4	1250	144	1488	96.1	0.87	0.7	6.5	2	2.8	113	252	5900

型号	功率 kW	电流 A	转速 r/min	效率 %	功率因数 cos φ	堵转转矩 额定转矩	堵转电流 额定电流	最大转矩 额定转矩	振动 mm/s	噪音 dB (A)	飞轮转矩 G.m <sup>2</sup>	重量 kg
Y2-5602-4	1400	161	1488	96.2	0.87	0.7	6.5	2	2.8	113	272	5950
Y2-5603-4	1600	184	1488	96.4	0.87	0.7	6.5	2	2.8	113	305	6020
Y2-3553-6	160	20.6	987	96.4	0.80	0.8	6.0	2	2.8	102	26	2255
Y2-3554-6	185	23.8	987	93.5	0.80	0.8	6.0	2	2.8	102	28	2345
Y2-3555-6	200	25.7	987	93.6	0.80	0.8	6.0	2	2.8	102	31	2440
Y2-4001-6	220	27.5	987	93.8	0.82	0.8	6.0	2	2.8	102	47	3010
Y2-4002-6	250	31.2	987	93.9	0.82	0.8	6.0	2	2.8	105	50	3110
Y2-4003-6	280	34.9	987	94.1	0.82	0.8	6.0	2	2.8	105	53	3200
Y2-4004-6	315	39.2	987	94.3	0.82	0.8	6.0	2	2.8	105	57	3250
Y2-4501-6	355	43.6	987	94.5	0.83	0.8	6.0	2	2.8	105	64	3600
Y2-4502-6	400	49.0	987	94.6	0.83	0.8	6.0	2	2.8	105	73	3800
Y2-4503-6	450	55.1	987	94.7	0.83	0.8	6.0	2	2.8	105	81	4000
Y2-4504-6	500	61.1	987	94.9	0.83	0.8	6.0	2	2.8	105	90	4200
Y2-5001-6	560	68.3	987	95.1	0.83	0.8	6.0	2	2.8	108	177	5370
Y2-5002-6	630	76.7	987	95.2	0.83	0.8	6.0	2	2.8	108	184	5500
Y2-5003-6	710	86.4	987	95.3	0.83	0.8	6.0	2	2.8	108	191	5630
Y2-5004-6	800	97.2	987	95.4	0.83	0.8	6.0	2	2.8	108	202	5830
Y2-5601-6	900	108	987	95.6	0.84	0.7	6.0	2	2.8	108	388	5930
Y2-5602-6	1000	120	987	95.7	0.84	0.7	6.0	2	2.8	108	402	6020
Y2-5603-6	1120	134	987	95.8	0.84	0.7	6.0	2	2.8	110	423	6100
Y2-5604-6	1250	149	987	95.9	0.84	0.7	6.0	2	2.8	110	450	6150
Y2-4001-8	160	21.7	742	93.2	0.76	0.8	5.5	2	2.8	99	50	3020
Y2-4002-8	185	25.1	742	93.3	0.76	0.8	5.5	2	2.8	99	52	3090
Y2-4003-8	200	26.7	742	93.5	0.77	0.8	5.5	2	2.8	99	56	3150
Y2-4004-8	220	29.3	742	93.7	0.77	0.8	5.5	2	2.8	99	61	3260
Y2-4501-8	250	32.8	742	93.9	0.78	0.8	5.5	2	2.8	102	65	3600
Y2-4502-8	280	36.7	742	94.1	0.78	0.8	5.5	2	2.8	102	73	3800
Y2-4503-8	315	41.3	742	94.2	0.78	0.8	5.5	2	2.8	102	82	4000
Y2-4504-8	355	46.4	742	94.4	0.78	0.8	5.5	2	2.8	102	91	4200
Y2-5001-8	400	51.6	742	94.5	0.80	0.8	5.5	2	2.8	102	177	5380
Y2-5002-8	450	57.9	742	94.6	0.80	0.8	5.5	2	2.8	102	184	5510
Y2-5003-8	500	63.4	742	94.8	0.80	0.8	5.5	2	2.8	102	191	5640
Y2-5004-8	560	71.0	742	94.9	0.80	0.8	5.5	2	2.8	105	202	5850
Y2-5601-8	630	78.7	742	95.1	0.81	0.7	5.5	2	2.8	105	480	6200
Y2-5602-8	710	88.5	742	95.3	0.81	0.7	5.5	2	2.8	105	510	6240
Y2-5603-8	800	99.6	742	95.4	0.81	0.7	5.5	2	2.8	105	535	6320
Y2-5604-8	900	112	742	95.6	0.81	0.7	5.5	2	2.8	105	560	6400

## Y2 系列高压三相异步电动机 (10kV)



H450-560

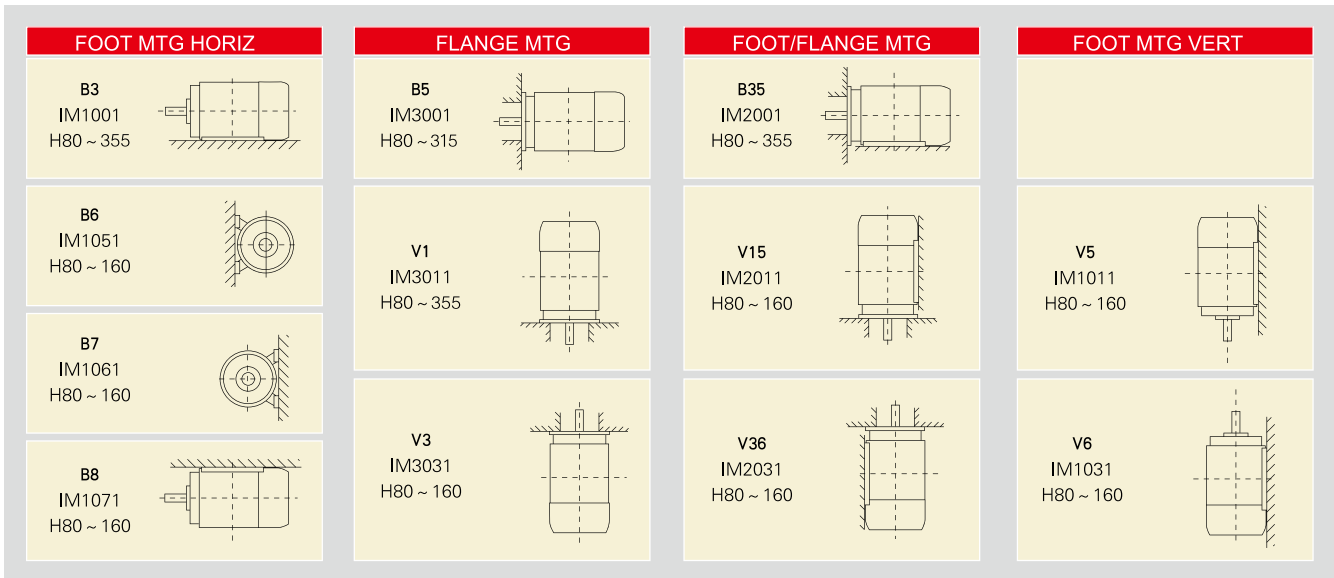
机座号	极数	A	B	C	D	E	F	G	H	K	AB	AD	BB	HB	HD	L
450	2	800	1120	280	95	170	25	86	450	35	950	930	1340	390	1250	2310
450	4	800	1120	280	120	210	32	109	450	35	950	930	1340	390	1250	2310
450	6-8	800	1120	280	130	250	32	119	450	35	950	930	1340	390	1250	2310
500	2	900	1250	315	110	210	28	100	500	42	1080	970	1490	470	1320	2610
500	4	900	1250	315	130	250	32	119	500	42	1080	970	1490	470	1320	2610
500	6-8	900	1250	315	140	250	36	128	500	42	1080	970	1490	470	1320	2610
560	2	1000	1400	355 (530)	130	250	32	119	560	42	1180	1030	1680	590	1450	2900
560	4	1000	1400	355	150	250	36	138	560	42	1180	1030	1680	590	1450	2900
560	6-8	1000	1400	355	160	300	40	147	560	42	1180	1030	1680	590	1450	2900

注：(530) 为采用滑动轴承电机的 C 尺寸。

型号	功率 kW	电流 A	转速 r/min	效率 %	功率因数 cos φ	堵转转矩 额定转矩	堵转电流 额定电流	最大转矩 额定转矩	振动 mm/s	噪音 dB (A)	飞轮转矩 G.m <sup>2</sup>	重量 kg
Y2-4501-2	220	16.3	2985	92.8	0.84	0.7	7.0	2	2.8	111	17.0	2730
Y2-4502-2	250	18.5	2985	93.0	0.84	0.7	7.0	2	2.8	111	18.0	2800
Y2-4503-2	280	20.2	2985	93.1	0.86	0.7	7.0	2	2.8	111	19.5	2930
Y2-4504-2	315	22.7	2985	93.3	0.86	0.7	7.0	2	2.8	111	21.0	3120
Y2-4505-2	355	25.5	2985	93.5	0.86	0.7	7.0	2	2.8	111	22.0	3200
Y2-4506-2	400	28.6	2985	93.8	0.86	0.7	7.0	2	2.8	111	24.0	3300
Y2-4507-2	450	32.2	2985	93.9	0.86	0.7	7.0	2	2.8	111	27.0	3500
Y2-4508-2	500	35.3	2985	94.0	0.87	0.7	7.0	2	2.8	111	30.0	3600
Y2-5001-2	560	39.5	2985	94.2	0.87	0.7	7.0	2	2.8	112	48.0	5050
Y2-5002-2	630	44.3	2985	94.4	0.87	0.7	7.0	2	2.8	112	54.0	5200
Y2-5003-2	710	49.8	2985	94.6	0.87	0.7	7.0	2	2.8	112	61.0	5360
Y2-5004-2	800	55.4	2985	94.8	0.88	0.7	7.0	2	2.8	112	65.0	5500
Y2-5005-2	900	62.2	2985	95.0	0.88	0.7	7.0	2	2.8	112	69.0	5640
Y2-5601-2	1000	69.0	2985	95.1	0.88	0.7	7.0	2	2.8	112	75.0	5700
Y2-5602-2	1120	76.2	2985	95.3	0.89	0.7	7.0	2	2.8	112	111	5800
Y2-5603-2	1250	84.9	2985	95.5	0.89	0.7	7.0	2	2.8	112	119	5860
Y2-5604-2	1400	94.9	2985	95.7	0.89	0.7	7.0	2	2.8	112	127	5930
Y2-4501-4	220	16.3	1488	92.7	0.84	0.8	6.5	2	2.8	108	21.0	2810
Y2-4502-4	250	18.5	1488	92.9	0.84	0.8	6.5	2	2.8	108	34.0	3000
Y2-4503-4	280	20.7	1488	93.0	0.84	0.8	6.5	2	2.8	108	38.0	3160
Y2-4504-4	315	22.9	1488	93.3	0.85	0.8	6.5	2	2.8	108	43.0	3350
Y2-4505-4	355	25.8	1488	93.4	0.85	0.8	6.5	2	2.8	108	52.0	3500
Y2-4506-4	400	29.0	1488	93.6	0.85	0.8	6.5	2	2.8	108	58.0	3700
Y2-4507-4	450	32.6	1488	93.8	0.85	0.8	6.5	2	2.8	108	65.0	3950
Y2-4508-4	500	35.7	1488	94.0	0.86	0.8	6.5	2	2.8	108	73.0	4200
Y2-5001-4	560	40.0	1488	94.1	0.86	0.8	6.5	2	2.8	111	122	5130
Y2-5002-4	630	44.9	1488	94.3	0.86	0.8	6.5	2	2.8	111	130	5350
Y2-5003-4	710	50.4	1488	94.5	0.86	0.8	6.5	2	2.8	111	141	5540
Y2-5004-4	800	56.0	1488	94.8	0.87	0.8	6.5	2	2.8	111	148	5700
Y2-5005-4	900	62.9	1488	95.0	0.87	0.8	6.5	2	2.8	111	156	5800
Y2-5601-4	1000	69.8	1488	95.1	0.87	0.8	6.5	2	2.8	111	230	5850
Y2-5602-4	1120	77.2	1488	95.2	0.88	0.8	6.5	2	2.8	111	252	5900
Y2-5603-4	1250	86.0	1488	95.4	0.88	0.8	6.5	2	2.8	113	272	5950
Y2-5604-4	1400	96.1	1488	95.6	0.88	0.8	6.5	2	2.8	113	305	6020
Y2-4504-6	220	16.7	987	92.5	0.82	0.8	6.0	2	2.8	105	56.0	3400
Y2-4505-6	250	19.0	987	92.7	0.82	0.8	6.0	2	2.8	105	64.0	3600
Y2-4506-6	280	21.2	987	92.9	0.82	0.8	6.0	2	2.8	105	73.0	3800
Y2-4507-6	315	23.8	987	93.1	0.82	0.8	6.0	2	2.8	105	81.0	4000
Y2-4508-6	355	26.8	987	93.3	0.82	0.8	6.0	2	2.8	105	90.0	4200
Y2-5001-6	400	30.1	987	93.5	0.82	0.8	6.0	2	2.8	105	170	5250
Y2-5002-6	450	33.4	987	93.7	0.83	0.8	6.0	2	2.8	105	177	5370
Y2-5003-6	500	37.0	987	93.9	0.83	0.8	6.0	2	2.8	105	184	5500
Y2-5004-6	560	41.4	987	94.1	0.83	0.8	6.0	2	2.8	108	191	5630
Y2-5005-6	630	46.5	987	94.3	0.83	0.8	6.0	2	2.8	108	202	5830
Y2-5601-6	710	52.3	987	94.5	0.83	0.8	6.0	2	2.8	108	370	5840
Y2-5602-6	800	58.8	987	94.7	0.83	0.8	6.0	2	2.8	108	388	5930
Y2-5603-6	900	65.2	987	94.9	0.84	0.7	6.0	2	2.8	108	402	6020
Y2-5604-6	1000	72.3	987	95.1	0.84	0.7	6.0	2	2.8	108	423	6100
Y2-5605-6	1120	80.8	987	95.3	0.84	0.7	6.0	2	2.8	108	450	6150
Y2-4506-8	220	18.3	742	92.4	0.75	0.8	5.5	2	2.8	102	73.0	3800
Y2-4507-8	250	20.8	742	92.6	0.75	0.8	5.5	2	2.8	102	82.0	4000
Y2-4508-8	280	22.6	742	92.8	0.77	0.8	5.5	2	2.8	102	91.0	4200
Y2-5002-8	315	25.4	742	93.0	0.77	0.8	5.5	2	2.8	102	170	5250
Y2-5003-8	355	28.6	742	93.2	0.77	0.8	5.5	2	2.8	102	177	5380
Y2-5004-8	400	31.3	742	93.4	0.79	0.8	5.5	2	2.8	102	184	5510
Y2-5005-8	450	35.2	742	93.5	0.79	0.8	5.5	2	2.8	102	191	5640
Y2-5601-8	500	39.0	742	93.7	0.79	0.8	5.5	2	2.8	105	450	6100
Y2-5602-8	560	43.6	742	93.9	0.79	0.8	5.5	2	2.8	105	480	6200
Y2-5603-8	630	48.3	742	94.1	0.8	0.7	5.5	2	2.8	105	510	6240
Y2-5604-8	710	54.3	742	94.3	0.8	0.7	5.5	2	2.8	105	535	6320
Y2-5605-8	800	61.1	742	94.5	0.8	0.7	5.5	2	2.8	105	560	6400



## 常用安装型式 MOUNTING TYPE



## 空载时振动速度有效值 LIMITS OF MAXIMUM VIBRATION WITH NO LOAD

振动等级 Vibration grade	轴中心高 Shaft height mm	56 < H ≤ 132			132 < H ≤ 280			H > 280			
		固定方式 Mounting	位移 Displac. μm	速度 Vel. mm/s	加速度 Acc. m/s <sup>2</sup>	位移 Displac. μm	速度 Vel. mm/s	加速度 Acc. m/s <sup>2</sup>	位移 Displac. μm	速度 Vel. mm/s	加速度 Acc. m/s <sup>2</sup>
A	自由悬置 Free suspension		25	1.6	2.5	35	2.2	3.5	45	2.8	4.4
	刚性安装 Rigid mounting		21	1.3	2	29	1.8	2.8	37	2.3	3.6
B	自由悬置 Free suspension		11	0.7	1.1	18	1.1	1.7	29	1.8	2.8
	刚性安装 Rigid mounting		—	—	—	14	0.9	1.4	24	1.5	2.4

等级 A 应用于无特殊振动要求的电机。

等级 B 应用于有特殊振动要求的电机。刚性安装对于轴高少于 132mm 的电机认为是不可接受的。

位移 / 速度和速度 / 加速度的接口频率分别是 10Hz 和 250Hz。

Grade "A" applies to machines with no special vibration requirements.

Grade "B" applies to machines with special vibration requirements. Rigid mounting is not considered acceptable for machines with shaft heights less than 132 mm.

The interface frequencies for displacement/velocity and velocity/acceleration are 10 Hz and 250 Hz respectively.

### 注释:

- 生产厂商和购买者应考虑仪器可能有一个 10% 的测量公差。
- 没有底座或者升高了底座的电机, 或者任何垂向电机的轴中心高要认为是具有同样基本骨架电机的轴中心高, 但水平轴安装座的型号除外。
- 电机本身具有很好的平衡性, 当安装在现场有不同的原因时可能显出大的振动, 如不适合的地基, 驱动电机的反作用, 电源电流波形等。振动可能也由带有自由摆动频率非常接近激励的驱动单元, 由于电机的旋转质量的小的残余不平衡而引起。在这些情况下, 不仅电机要进行检查而且设备的每个单元也要。(见 ISO 10816-3)。

### NOTE:

- The manufacturer and the purchaser should take into account that the instrumentation can have a measurement tolerance of ± 10 %.
- The shaft height of a machine without feet, or a machine with raised feet, or any vertical machine is to be taken as the shaft height of a machine in the same basic frame, but of the horizontal shaft foot-mounting type.
- A machine which is well-balanced in itself, may exhibit large vibrations when installed in-situ arising from various causes, such as unsuitable foundations, reaction of the driven machine, current ripple from the power supply, etc. Vibration may also be caused by driving elements with a natural oscillation frequency very close to the excitation due to the small residual unbalance of the rotating masses of the machine. In such cases, checks should be carried out not only on the machine, but also on each element of the installation. (See ISO 10816-3).

## ■ 订货须知：

- 本样本仅供用户参考，具体数据如有变动，恕不另行通知。
- 订货时，请提供所需产品的型号、功率、电压、转速、绝缘等级、防护等级、安装型式等额定数据。
- 可根据用户要求设计、制造如下电机：
  1. 不同电压、频率、功率的电机；
  2. 不同绝缘等级、防护等级的电机；
  3. 左出线、双伸轴、特殊轴电机；
  4. 耐高温、耐低温电机；
  5. 高原用、户外用电机；
  6. 各种增容电机、不同服务系数的电机；
  7. 装有加热器、轴承测温、绕组测温、热敏保护开关的电机；
  8. 装有光电编码器、绝缘轴承或绝缘轴承结构的电机；
  9. 其他各种特殊要求的电机。

## ■ ORDERING INFORMATION：

- This catalogue is only a reference for users. Please forgive that if any change of products will not make additional specify in advance.
- Please note the rated data when ordering, such as the motor type, power, voltage, speed, insulation class, protection class, mounting type and so on.
- We can design and produce special motors as followed according to the requirement of customer:
  1. special voltage, frequency and power;
  2. special insulation class and protection class;
  3. with terminal box on the left side, double shaft ends and special shaft;
  4. high temperature motor or low temperature motor;
  5. used on plateau or outdoor;
  6. higher power or special service factor;
  7. with heater, PT100 for bearings or winding, PTC and so on;
  8. with encoder, insulated bearings, or insulated bearing structure;
  9. with others requirement.



# SUNVIM

— Electrical Machinery —

## 孚日电机

### 山东孚日电机有限公司

SHANDONG SUNVIM ELECTRICAL MACHINERY CO.,LTD.

地址 Add:山东省高密市朝阳大街东首  
East Chaoyang Street. Gaomi,Shandong China

电话 : 0536-5827136

传真 : 0536-2573369

售后服务电话 : 0536-2320553

邮编 p.c.: 261500

网址 [http: www.sunvimdj.com](http://www.sunvimdj.com)

邮箱 E-mail: [sddianji@sunvim.com](mailto:sddianji@sunvim.com)

技术参数更改, 恕不另行通知

Technical parameters are subject to change without notice